

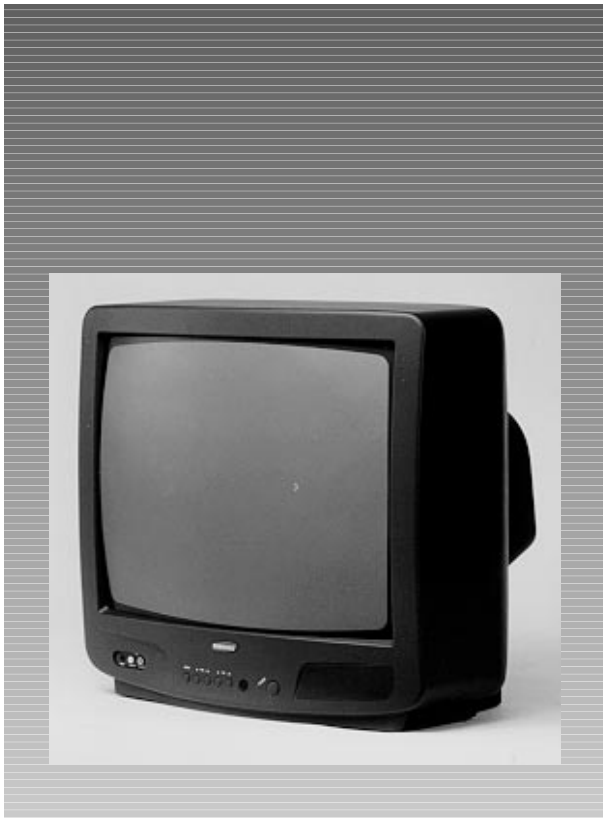


# COLOR TELEVISION RECEIVER

Chassis : K15A  
Model: TXH1370 TXH1970  
TXH1372 TXH1972  
TXH1373 TXH1973  
TXH1386 TXH1986

# **SERVICE** *Manual*

## COLOR TELEVISION RECEIVER



## CONTENTS

1. Precautions
2. Specifications
3. Disassembly and Reassembly
4. Alignment and Adjustments
5. Troubleshooting
6. Exploded Views and Parts List
7. Electric Parts List
8. Block Diagram
9. PCB Layout
10. Wiring Diagrams
11. Schematic Diagrams



**ELECTRONICS**

© Samsung Electronics Co., Ltd. **AUG. 1998**  
Printed in Korea  
**3K15A-3701**

## 1. Precautions

Follow these safety, servicing and ESD precautions to prevent damage and protect against potential hazards such as electrical shock and X-rays.

### 1-1 Safety Precautions

1. Be sure that all of the built-in protective devices are replaced. Restore any missing protective shields.
2. When reinstalling the chassis and its assemblies, be sure to restore all protective devices, including: nonmetallic control knobs and compartment covers.
3. Make sure that there are no cabinet openings through which people—particularly children—might insert fingers and contact dangerous voltages. Such openings include the spacing between the picture tube and the cabinet mask, excessively wide cabinet ventilation slots, and improperly fitted back covers.

If the measured resistance is less than 1.0 megohm or greater than 5.2 megohms, an abnormality exists that must be corrected before the unit is returned to the customer.

4. Leakage Current Hot Check (Figure 1-1):  
Warning: Do not use an isolation transformer during this test. Use a leakage-current tester or a metering system that complies with American National Standards Institute (ANIS C101.1, Leakage Current for Appliances), and Underwriters Laboratories (UL Publication UL1410, 59.7).
5. With the unit completely reassembled, plug the AC line cord directly into the power outlet. With the unit's AC switch first in the ON position and then OFF, measure the current between a known earth ground (metal water pipe, conduit, etc.) and all exposed metal parts, including: antennas, handle brackets, metal cabinets, screwheads and control shafts. The current measured should not exceed 0.5 milliamp. Reverse the power-plug prongs in the AC outlet and repeat the test.

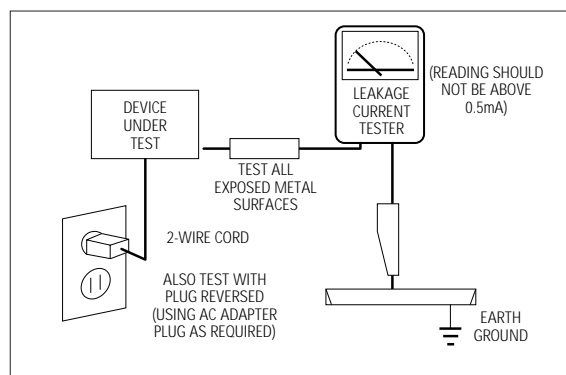


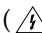

Fig. 1-1 AC Leakage Test

6. Antenna Cold Check:  
With the unit's AC plug disconnected from the AC source, connect an electrical jumper across the two AC prongs. Connect one lead of the ohmmeter to an AC prong. Connect the other lead to the coaxial connector.
7. X-ray Limits:  
The picture tube is especially designed to prohibit X-ray emissions. To ensure continued X-ray protection, replace the picture tube only with one that is the same type as the original. Carefully reinstall the picture tube shields and mounting hardware; these also provide X-ray protection.
8. High Voltage Limits:  
High voltage must be measured each time servicing is done on the B+, horizontal deflection or high voltage circuits. Correct operation of the X-ray protection circuits must be reconfirmed whenever they are serviced.  
(X-ray protection circuits also may be called "horizontal disable" or "hold-down".)

Heed the high voltage limits. These include the X-ray Protection Specifications Label, and the Product Safety and X-ray Warning Note on the service data schematic.

## 1-1 Safety Precautions (Continued)

---

9. High voltage is maintained within specified limits by close-tolerance, safety-related components and adjustments. If the high voltage exceeds the specified limits, check each of the special components.
10. Design Alteration Warning:  
Never alter or add to the mechanical or electrical design of this unit. Example: Do not add auxiliary audio or video connectors. Such alterations might create a safety hazard. Also, any design changes or additions will void the manufacturer's warranty.
11. Hot Chassis Warning:  
Some TV receiver chassis are electrically connected directly to one conductor of the AC power cord. If an isolation transformer is not used, these units may be safely serviced only if the AC power plug is inserted so that the chassis is connected to the ground side of the AC source.  
  
To confirm that the AC power plug is inserted correctly, do the following: Using an AC voltmeter, measure the voltage between the chassis and a known earth ground. If the reading is greater than 1.0V, remove the AC power plug, reverse its polarity and reinsert. Re-measure the voltage between the chassis and ground.
12. Some TV chassis are designed to operate with 85 volts AC between chassis and ground, regardless of the AC plug polarity. These units can be safely serviced only if an isolation transformer inserted between the receiver and the power source.
13. Some TV chassis have a secondary ground system in addition to the main chassis ground. This secondary ground system is not isolated from the AC power line. The two ground systems are electrically separated by insulating material that must not be defeated or altered.
14. Components, parts and wiring that appear to have overheated or that are otherwise damaged should be replaced with parts that meet the original specifications. Always determine the cause of damage or overheating, and correct any potential hazards.
15. Observe the original lead dress, especially near the following areas: Antenna wiring, sharp edges, and especially the AC and high voltage power supplies. Always inspect for pinched, out-of-place, or frayed wiring. Do not change the spacing between components and the printed circuit board. Check the AC power cord for damage. Make sure that leads and components do not touch thermally hot parts.
16. Picture Tube Implosion Warning:  
The picture tube in this receiver employs "integral implosion" protection. To ensure continued implosion protection, make sure that the replacement picture tube is the same as the original.
17. Do not remove, install or handle the picture tube without first putting on shatterproof goggles equipped with side shields. Never handle the picture tube by its neck. Some "in-line" picture tubes are equipped with a permanently attached deflection yoke; do not try to remove such "permanently attached" yokes from the picture tube.
18. Product Safety Notice:  
Some electrical and mechanical parts have special safety-related characteristics which might not be obvious from visual inspection. These safety features and the protection they give might be lost if the replacement component differs from the original—even if the replacement is rated for higher voltage, wattage, etc.  
  
Components that are critical for safety are indicated in the circuit diagram by shading, () or ().  
Use replacement components that have the same ratings, especially for flame resistance and dielectric strength specifications. A replacement part that does not have the same safety characteristics as the original might create shock, fire or other hazards.

## 1-2 Servicing Precautions

---

Warning1: First read the "Safety Precautions" section of this manual. If some unforeseen circumstance creates a conflict between the servicing and safety precautions, always follow the safety precautions.

Warning2: An electrolytic capacitor installed with the wrong polarity might explode.

1. Servicing precautions are printed on the cabinet. Follow them.
2. Always unplug the unit's AC power cord from the AC power source before attempting to: (a) Remove or reinstall any component or assembly, (b) Disconnect an electrical plug or connector, (c) Connect a test component in parallel with an electrolytic capacitor.
3. Some components are raised above the printed circuit board for safety. An insulation tube or tape is sometimes used. The internal wiring is sometimes clamped to prevent contact with thermally hot components. Reinstall all such elements to their original position.
4. After servicing, always check that the screws, components and wiring have been correctly reinstalled. Make sure that the portion around the serviced part has not been damaged.
5. Check the insulation between the blades of the AC plug and accessible conductive parts (examples: metal panels, input terminals and earphone jacks).
6. Insulation Checking Procedure: Disconnect the power cord from the AC source and turn the power switch ON. Connect an insulation resistance meter (500V) to the blades of the AC plug.  
  
The insulation resistance between each blade of the AC plug and accessible conductive parts (see above) should be greater than 1 megohm.
7. Never defeat any of the B+ voltage interlocks. Do not apply AC power to the unit (or any of its assemblies) unless all solid-state heat sinks are correctly installed.
8. Always connect a test instrument's ground lead to the instrument chassis ground before connecting the positive lead; always remove the instrument's ground lead last.

### 1-3 Precautions for Electrostatically Sensitive Devices (ESDs)

---

1. Some semiconductor (“solid state”) devices are easily damaged by static electricity. Such components are called Electrostatically Sensitive Devices (ESDs); examples include integrated circuits and some field-effect transistors. The following techniques will reduce the occurrence of component damage caused by static electricity.
2. Immediately before handling any semiconductor components or assemblies, drain the electrostatic charge from your body by touching a known earth ground. Alternatively, wear a discharging wrist-strap device. (Be sure to remove it prior to applying power—this is an electric shock precaution.)
3. After removing an ESD-equipped assembly, place it on a conductive surface such as aluminum foil to prevent accumulation of electrostatic charge.
4. Do not use freon-propelled chemicals. These can generate electrical charges that damage ESDs.
5. Use only a grounded-tip soldering iron when soldering or unsoldering ESDs.
6. Use only an anti-static solder removal device. Many solder removal devices are not rated as “anti-static”; these can accumulate sufficient electrical charge to damage ESDs.
7. Do not remove a replacement ESD from its protective package until you are ready to install it. Most replacement ESDs are packaged with leads that are electrically shorted together by conductive foam, aluminum foil or other conductive materials.
8. Immediately before removing the protective material from the leads of a replacement ESD, touch the protective material to the chassis or circuit assembly into which the device will be installed.
9. Minimize body motions when handling unpackaged replacement ESDs. Motions such as brushing clothes together, or lifting a foot from a carpeted floor can generate enough static electricity to damage an ESD.

---

## 2. Specifications

---

### 2-1 Specifications

---

Television System	14"/20"/21" NTSC COLOR TV SIGNAL
Power Consumption	14" : 57 WATTS NOMINAL, 20" : 70 WATTS NOMINAL 21" : 75 WATTS NOMINAL,
Picture Tube	14" : A34KQV42X 20" : A48KRD82X (H) 21" : A51KQJ63X (H)
Power Requirement	AC 120V, 60Hz /AC 100 - 240, 50Hz, 60Hz
Operating System	REMOCON SYSTEM (SZM354ET)
Tuning Ranges	VHF CH : 2-13, UHF CH : 14-69, CABLE CH : 1,14-125
Antenna Input Impedance	75 ohm UNBALANCED TYPE FOR VHF/UHF
Intermediate Frequency	PICTURE 45.75MHz, SOUND 41.25MHz, COLOR SUB CARRIER 42.17MHz
Speaker Impedance	Single: 8 ohm 3W Dual : 8 ohm 3W x 2 Dual : 16 ohm , 3W x 2 (CT-33H1, CT-50H1)

---

## 3. Disassembly and Reassembly

---

### 3-1 Back Cover Removal

---

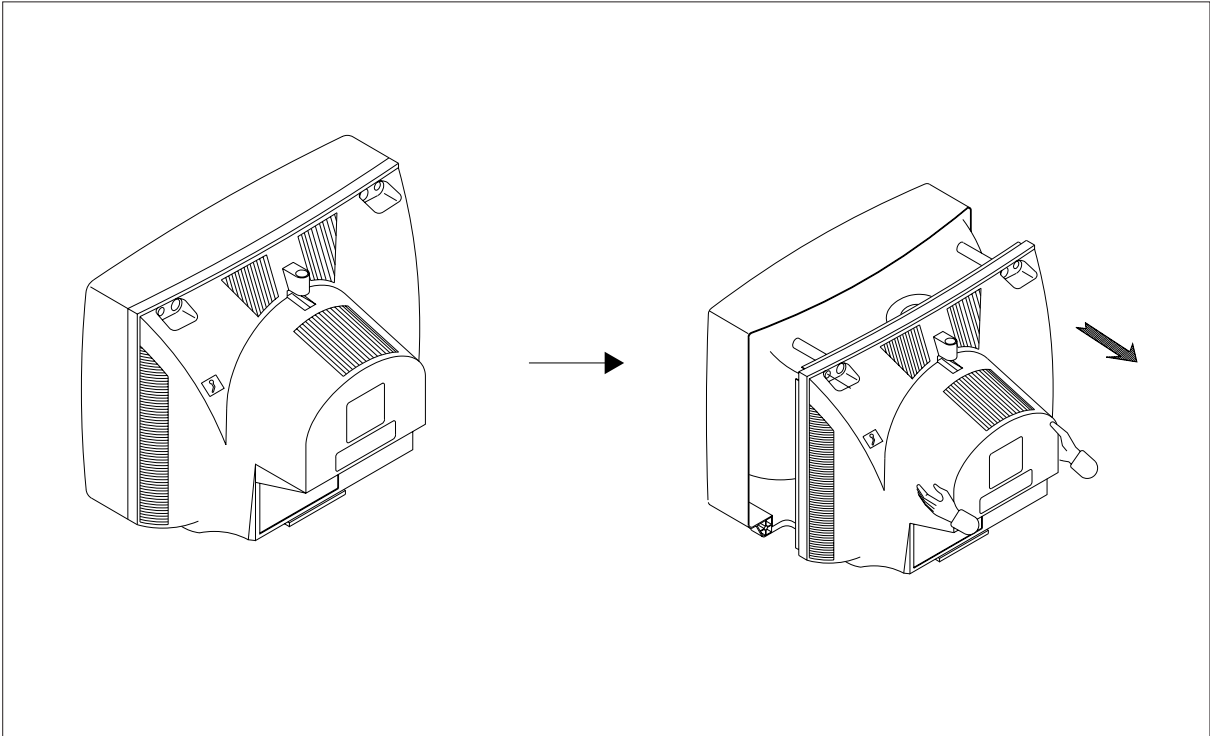


Fig. 3-1

1. After removing the screws, pull the cabinet backwards.

## 3-2 Main Board Removal

---

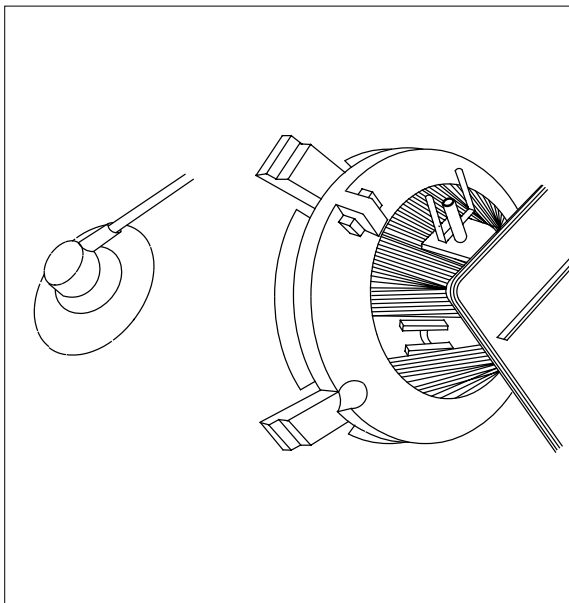


Fig. 3-2

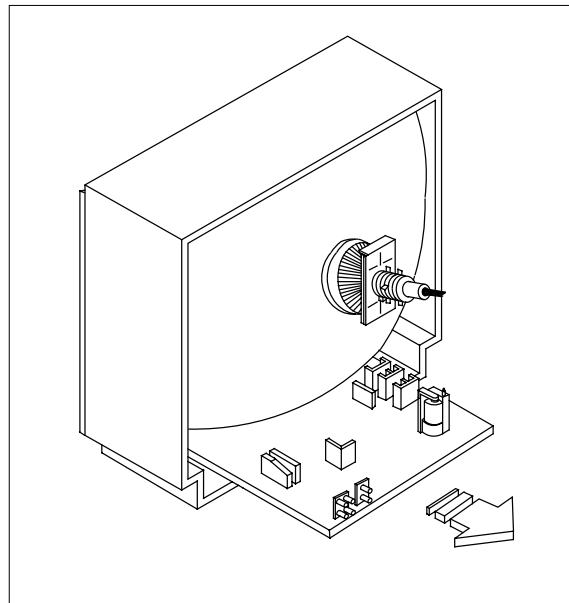


Fig. 3-3

1. Separate the socket board from the CRT neck.
2. Remove the Anode Cap from the CRT.
3. Remove the main board by pulling it with both hands.

**Warning:** The FBT is charged with high voltage.  
Before removing the Anode Cap, discharge the voltage  
through one of the heat sinks on the main board.

### 3-3 Speaker Removal

---

1. Loosen the screws and remove the speakers.

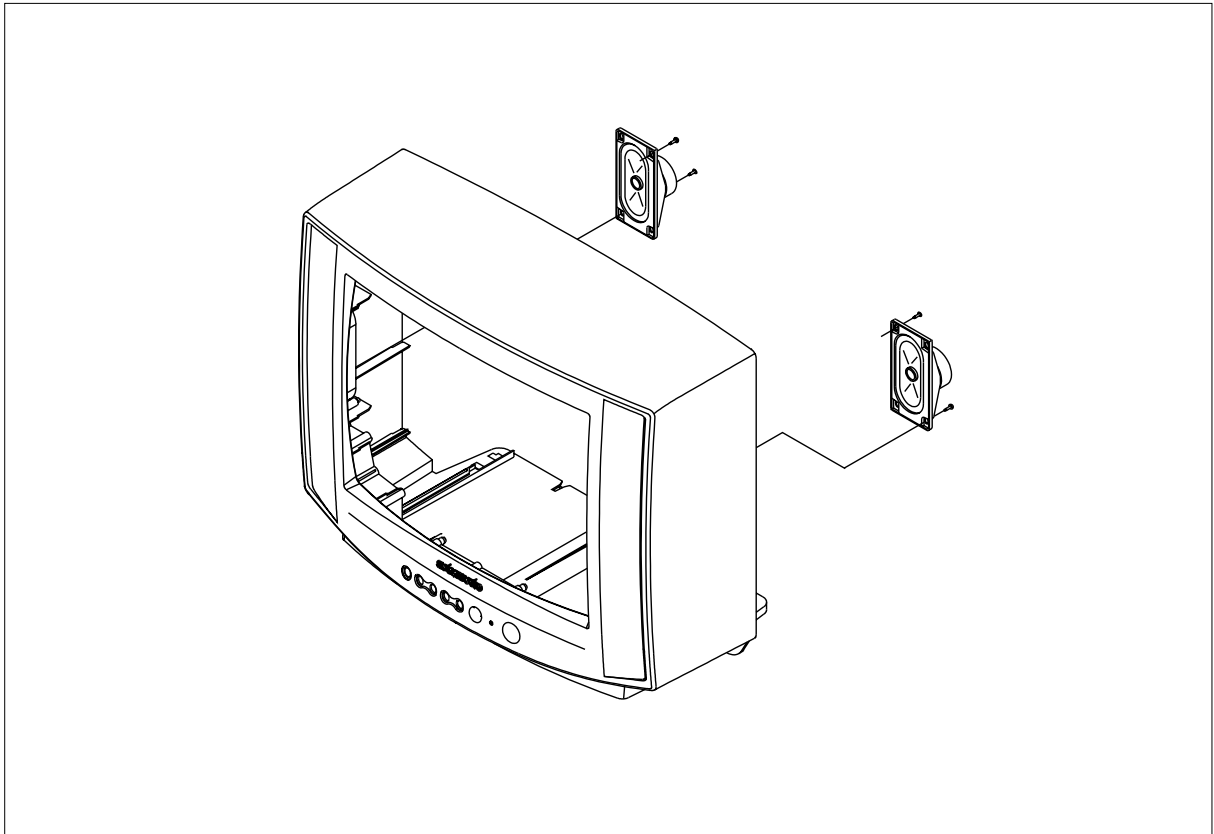


Fig. 3-4

### 3-4 CRT Removal

---

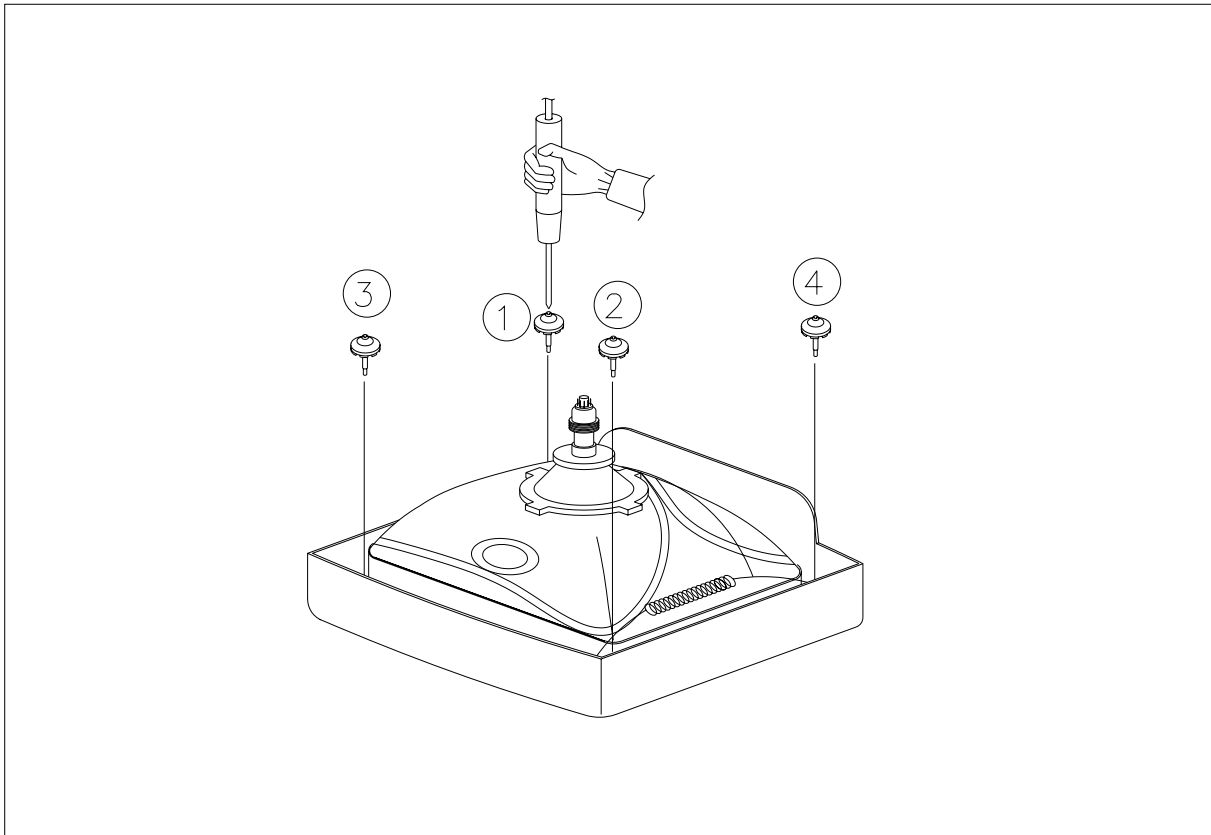


Fig. 3-5

1. Spread a soft mat on the floor. Place the TV set face down.
2. Remove the 4 nuts mounting the CRT to the front cabinet.
3. Lift the CRT.
4. Caution: Because of the high vacuum and large surface area of the picture tube, be careful while handling it:  
(1) Always lift the picture tube by grasping it firmly around the face-plate, (2) Never lift the tube by its neck. (3) Do not scratch the picture tube or apply excessive pressure. Fractures of the glass may cause an implosion.

## 4. Alignment and Adjustments

### 4-1 Service Mode Adjustments

#### 4-1-1 Service Mode Menus

Since there are no VRs in the K15A chassis, all adjustments after parts replacement must be done in the Service Mode. Service Mode adjustments are necessary when either the EEPROM (IC902) or the CRT is replaced.

#### 4-1-2 Entering the Service Mode

Press the following transmitter keys while in STAND-BY mode:

MUTE—>1—>8—>2—>POWER  
 “Factory Mode Menu” is displayed

ADJUSTMENT	<---selected (violet)
PATTERN	
OPTION	
RESET	

Enter Service Mode using the Volume +,- keys. Service Mode Menu:

AGC	XX	RC	XXX
VCO	XX	GC	XXX
SBT	XX	BC	XX
SCT	XX	VA	XX
SCR	XX	VS	XX
STT	XXX	HS	XX
GG	XXX	SS	XX
BG	XXX	SVC : MUTE	

Select a mode to be adjusted, using the channel down key. Example: VCO.

AGC	XX	RC	XXX
VCO	XX	GC	XXX
SBT	XX	BC	XX
SCT	XX	VA	XX
SCR	XX	VS	XX
STT	XXX	HS	XX
GG	XXX	SS	XX
BG	XXX	SVC : MUTE	

Change the data with “Volume +, - “ keys.

VCO	71
-----	----

Return to the Service mode by pressing MENU.

AGC	XX	RC	XXX
VCO	XX	GC	XXX
SBT	XX	BC	XX
SCT	XX	VA	XX
SCR	XX	VS	XX
STT	XXX	HS	XX
GG	XXX	SS	XX
BG	XXX	SVC : MUTE	

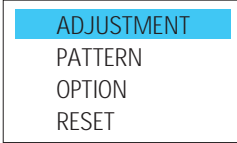
Return to the Factory mode via the MENU key.

ADJUSTMENT
PATTERN
OPTION
RESET

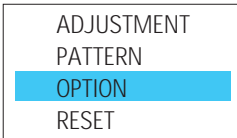
Press POWER to enter the Stand-by mode.

### 4-1-3 Adjustment in Option Mode

This adjustment is necessary whenever the EEPROM is replaced. Input data (as marked on the back cabinet).



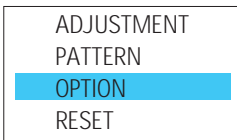
Select "SET OPTION" by pressing the Channel ▼ key twice.



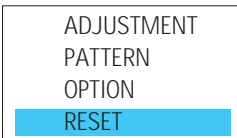
Press the Volume +, - keys to enter the set Option mode.

BYTE 0 : 0 0

Press MENU to go back to the factory mode.



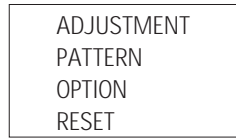
Select RESET with channel ▼ key.



Press volume + key.



### 4-1-4 Service Mode Adjustments



1. The Pattern Adjustment is done only in the factory. Do not attempt to readjust it.
2. Refer to 4-2 for other adjustments.
3. Set OPTION data.

### 4-1-5 Service Mode Adjustment Ratings

No	Item	Function	Range	Initialized MICOM Data
1	AGC	RF AGC Adjustment	0-63	50
2	VCO	PIF VCO Adjustment	0-127	63
3	SCT	SUB-CONTRAST Adjustment	0-63	48
4	SCR	SUB-COLOR Adjustment	0-27	13
5	STT	SUB-TINT Adjustment	0-27	7
6	RC	RED-CUT OFF Adjustment	0-255	0
7	GC	GREEN-CUT OFF Adjustment	0-255	0
8	BC	BLUE-CUT OFF Adjustment	0-255	0
9	SVC	Input a Horiz line pattern		
10	GG	GREEN-GAIN Adjustment	0-255	127
11	BG	BLUE-GAIN Adjustment	0-255	127
12	SBT	SUB-BRIGHTNESS Adjustment	0-63	31
13	VA	VERTICAL SIZE Adjustment	0-63	39
14	VS	VERTICAL CENTER Adjustment	0	0
15	HS	HORIZONTAL Phase Adjustment	0-31	15
16	SS	SUB-SHARPNESS Adjustment	0-31	4

Note : The initial MICOM data values take effect when IC902 is replaced.

## 4-2 Alignment and Adjustment


---

### 4-2-1 General Alignment Instructions

1. Usually, a color TV needs only slight touch-up adjustment upon installation. Check the basic characteristics such as picture height, focus and a horizontal and vertical sync.
2. Observe the picture and check for good back and white details. There should be no objectionable color shading: If color shading is present, demagnetize the receiver. If color shading persists, perform purity and convergence adjustments described below.
3. To protect against shock hazard, use an isolation transformer.

### 4-2-2 Power Supply Check

Check the following:

- A: Power plug is connected; "Stand-by" mode  
 B: Power On when "Power ON" button is pressed  
 C: Power On by FBT Each supply is marked on its lead-in wire. (  )

### 4-2-3 Focus Adjustment

Adjust the focus control on the FBT for well defined scanning lines.

### 4-2-4 Fail Safe Circuit Check (FS) (OPTION)

1. The failsafe check must be the final step in servicing.
2. Turn the power switch ON and adjust customer controls for normal operation.
3. Temporarily short pin X to pin R on the main board (RX06, RX04) with a jumper wire. Raster will disappear.
4. The TV must remain in this state even after removing the jumper wire. This shows that the failsafe circuit is working properly.
5. To recover picture and sound, temporarily turn off the TV and allow the failsafe circuit more than 30 seconds to reset. Then switch power ON to produce normal picture and sound.

### 4-2-5 IC902 Replacement

1. When IC902 is replaced, all values are reset to "Initialized MICOM Data" and readjustment is necessary.
2. Press the POWER button 10 seconds after plug-in.
3. To enter the Service Mode, refer to Fig. 4-1 (Service Mode Adjustment).

### 4-2-6 PIF VCO Adjustment

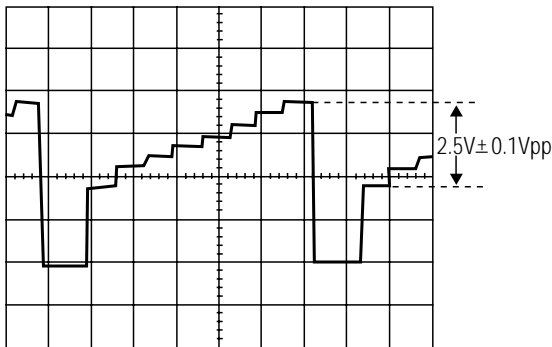
1. Use a Pattern Generator or an off-air signal.
2. Open pin 11 of Micom (IC901) or one side of lead pin for R237.
3. Adjust VCO in the service mode to set IC101 Pin 44 (AFT) to  $2.5V \pm 0.4V$ .
4. Connect the opened site.

### 4-2-7 RF-AGC Adjustment

1. Input a PHILLIPS pattern.
2. Set the input signal to 60 dB.
3. Enter into the AGC in the service mode.
4. Adjust AGC until color bar noise disappears.

#### 4-2-8 Sub-Contrast Adjustment

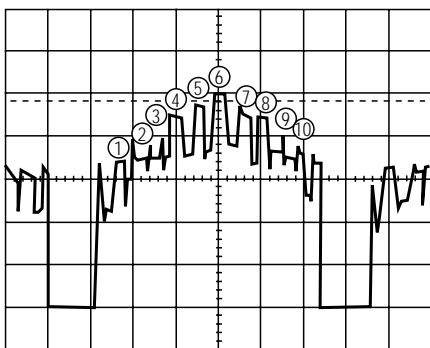
1. Input a gray scale pattern. Use a pattern generator (PM5518).
2. Short D208 to switch off the ABL feed-back.
3. Check CN201 R-OUT with an oscilloscope.
4. Set RC, BC, GC data to 0 in the Service Mode.
5. Adjust SCT to  $2.40 \pm 0.1Vp-p$



6. Remove the short across D208 and restore ABL.

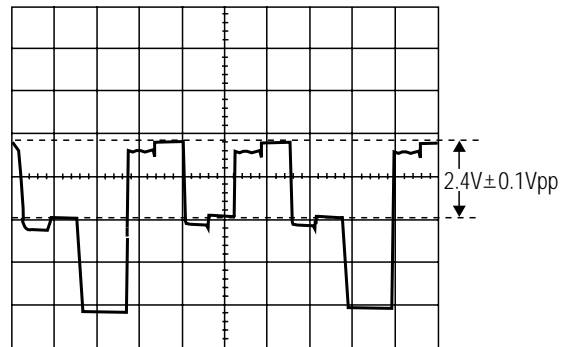
#### 4-2-9 Sub-Tint Adjustment

1. Input a rainbow pattern.
2. Check CN201 B-OUT with an oscilloscope.
3. Adjust STT in the service mode until the 6th peak is the highest and the 5th and 7th peaks have equal heights.



#### 4-2-10 Sub-Color Adjustment

1. Do sub-color adjustment after the Sub-Contrast and Sub-Tint adjustments.
2. D208 should still be shorted. The ABL should still be switched OFF.
3. Input a color bar pattern. Use a pattern generator (PM5518).
4. Check CN201 R-OUT (use an oscilloscope).
5. Ensure that the RC, GC and BC data are 0. BG are 140 and GG should be 90.
6. Adjust SCR to  $2.4 \pm 0.1Vp-p$  (black and red levels).
7. Remove the short across D208 and restore ABL.



#### 4-2-11 White Balance Adjustment

##### 4-2-11 (A) LOW-LIGHT ADJUSTMENTS

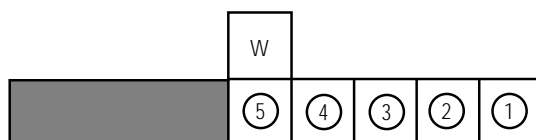
1. Input either a lion head or "pure white" color pattern.
2. Operate the receiver for 30 minutes.
3. Check the data in the service mode:  
RC, GC, BC are 0 and SB is 16;  
Steps BG are 90 and GG are 140.
4. Enter the horizontal line mode by pressing the MUTE key.
5. Adjust the screen VR on the FBT until a dim colored line (red, green or blue) appears on the screen.
6. After pressing the MUTE key, go to RC, BC or GC with channel ▲, ▼ keys. After putting a dim colored line (red, green or blue) in the horizontal line with MUTE key, adjust color with volume ▲, ▼ keys.
7. Exit the horizontal line via the MUTE key.

##### 4-2-11 (B) HIGH-LIGHT ADJUSTMENTS

1. Input a high-light pattern
2. Adjust GG, BG in the Service Mode.
3. Recheck in low light.

#### 4-2-12 Sub-Brightness Adjustment

1. Input a Toshiba pattern.
2. Warm up the receiver for 10 minutes.
3. Enter the Service Mode and set SB to the point where the 5th point is brighter in the gray scale.



#### 4-2-13 Vertical Size Adjustment

1. Input a lion head pattern.
2. After the vertical center adjustment, enter into the service mode.
3. Adjust VA so that the each top and bottom of the screen is 4.0. If the top and bottom values are different, adjust VA so that the sum of the two values is 8.0.

#### 4-2-14 Horizontal Size Adjustment

1. Receive a lion head pattern.
2. Enter into the service mode.
3. Adjust HS to symmetrized right and left.

#### 4-2-15 When CRT Is Replaced

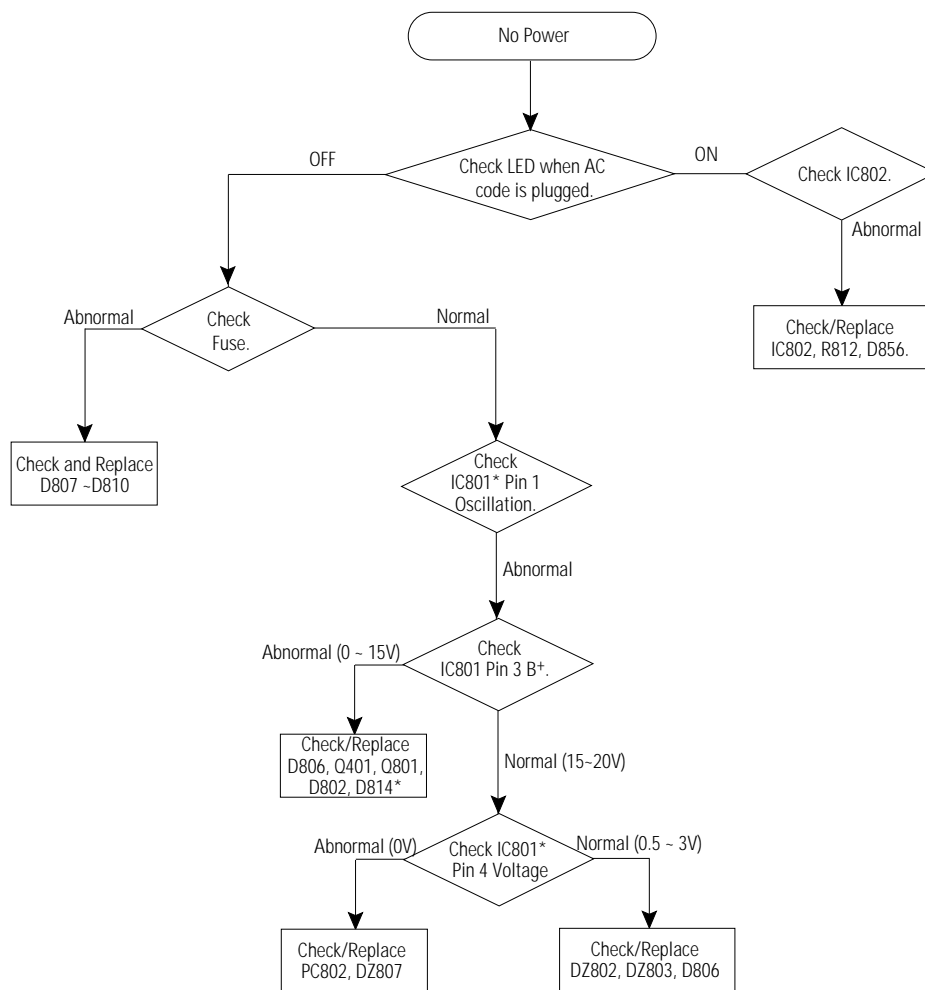
Do the following adjustments after the basic purity and convergence adjustments.

1. White Balance
2. Sub-brightness
3. Vertical Size
4. Horizontal Size
5. Fail safe (should be the final step).

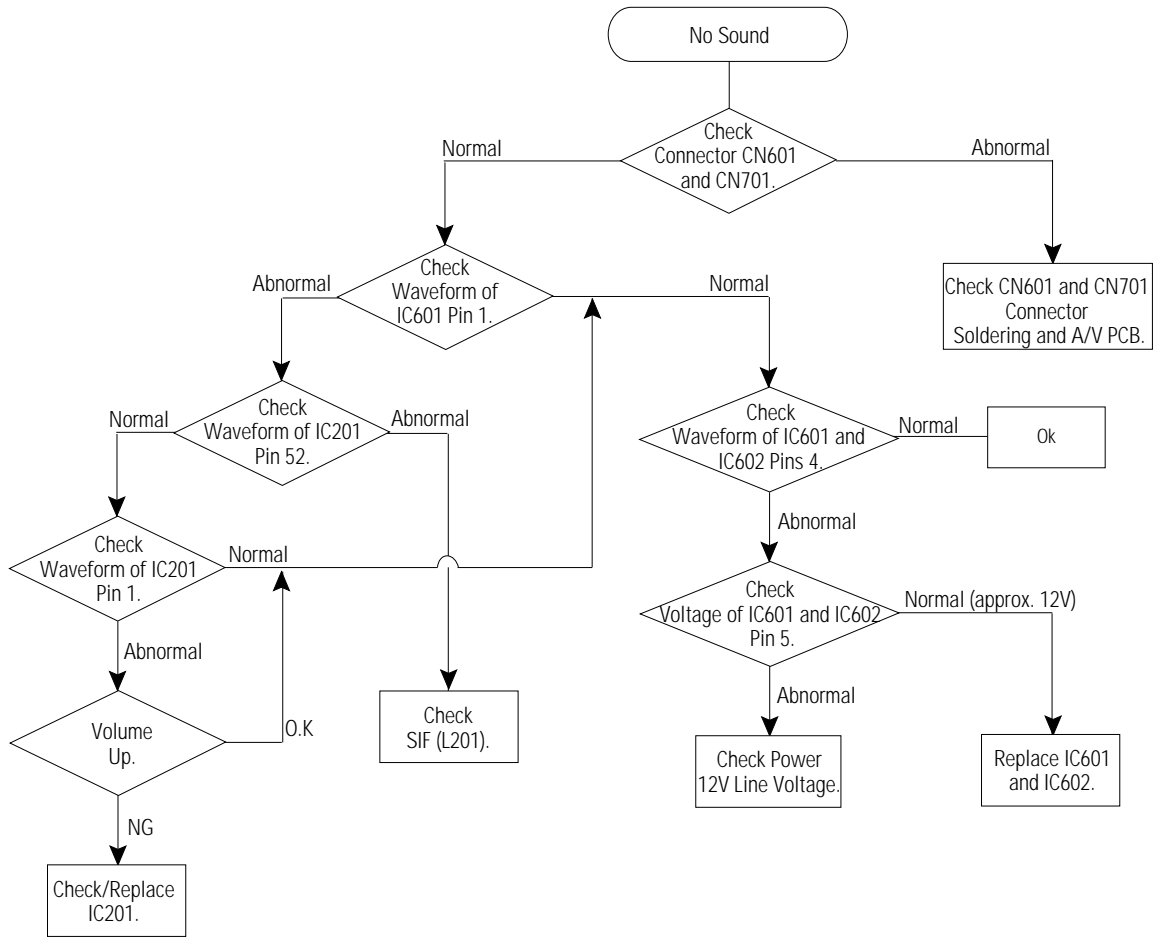
# MEMO

## 5. Troubleshooting

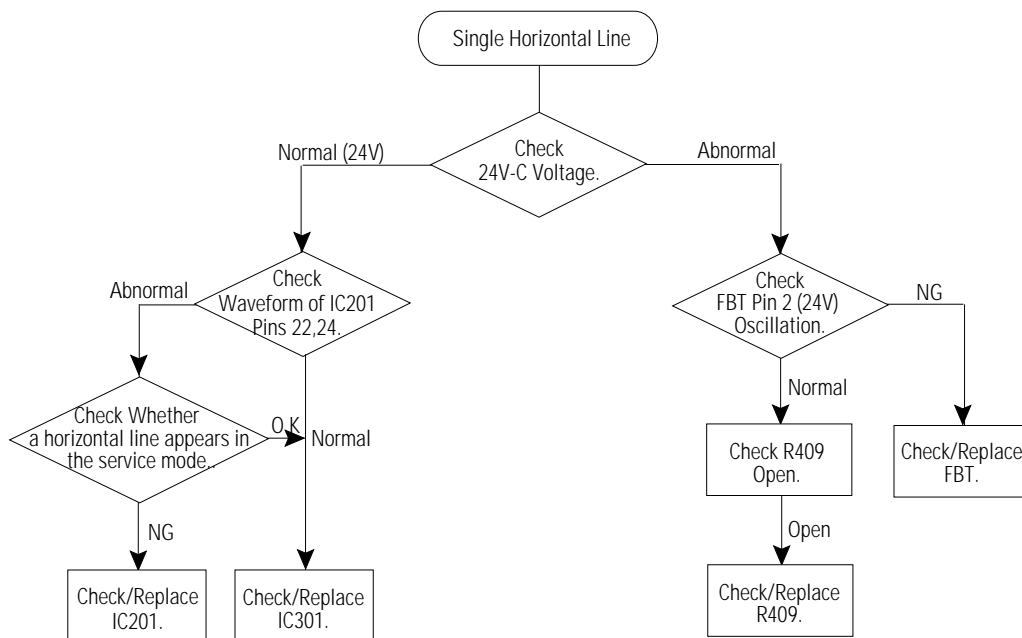
### 5-1 No Power



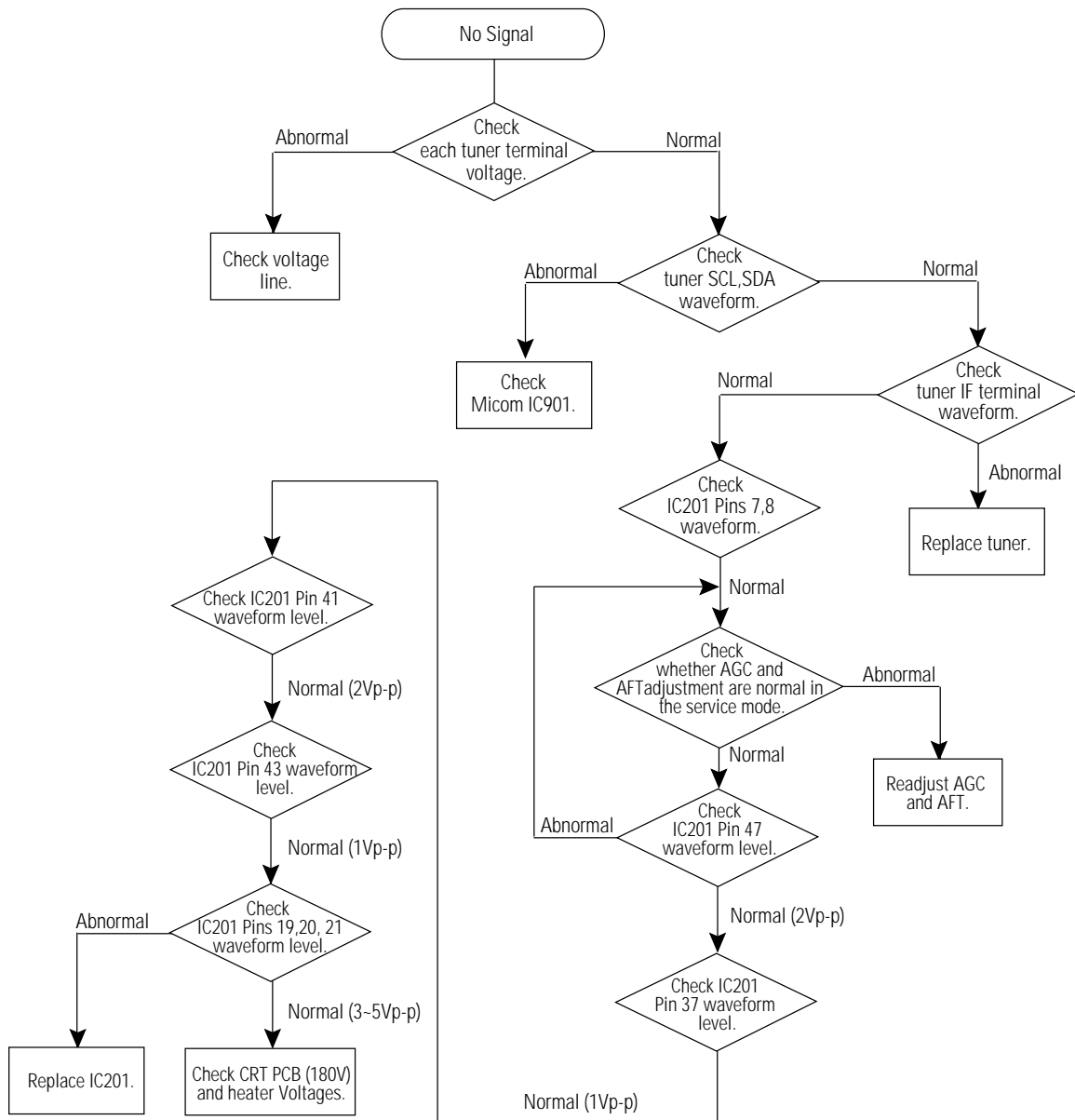
## 5-2 No Sound



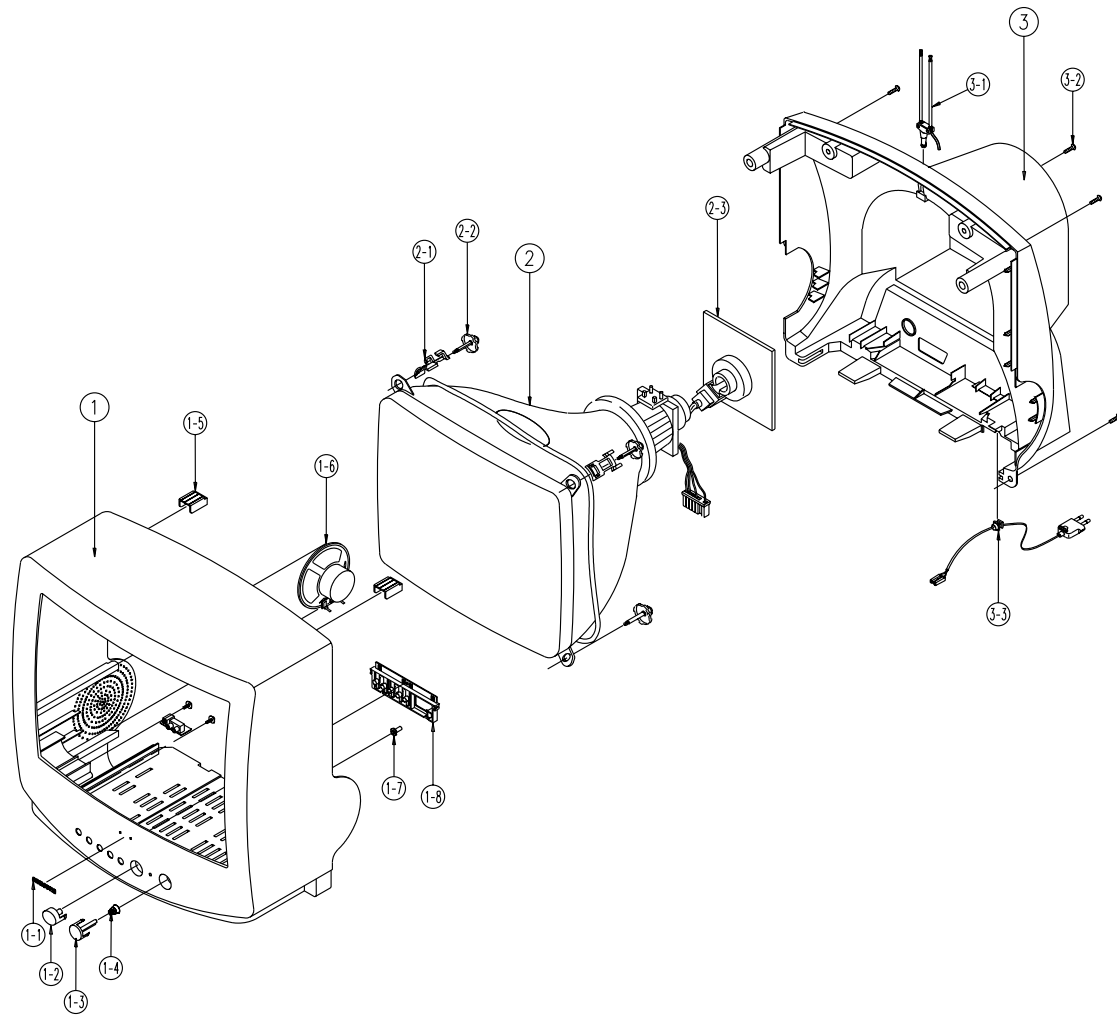
### 5-3 Horizontal Line Appears



## 5-4 No Signal



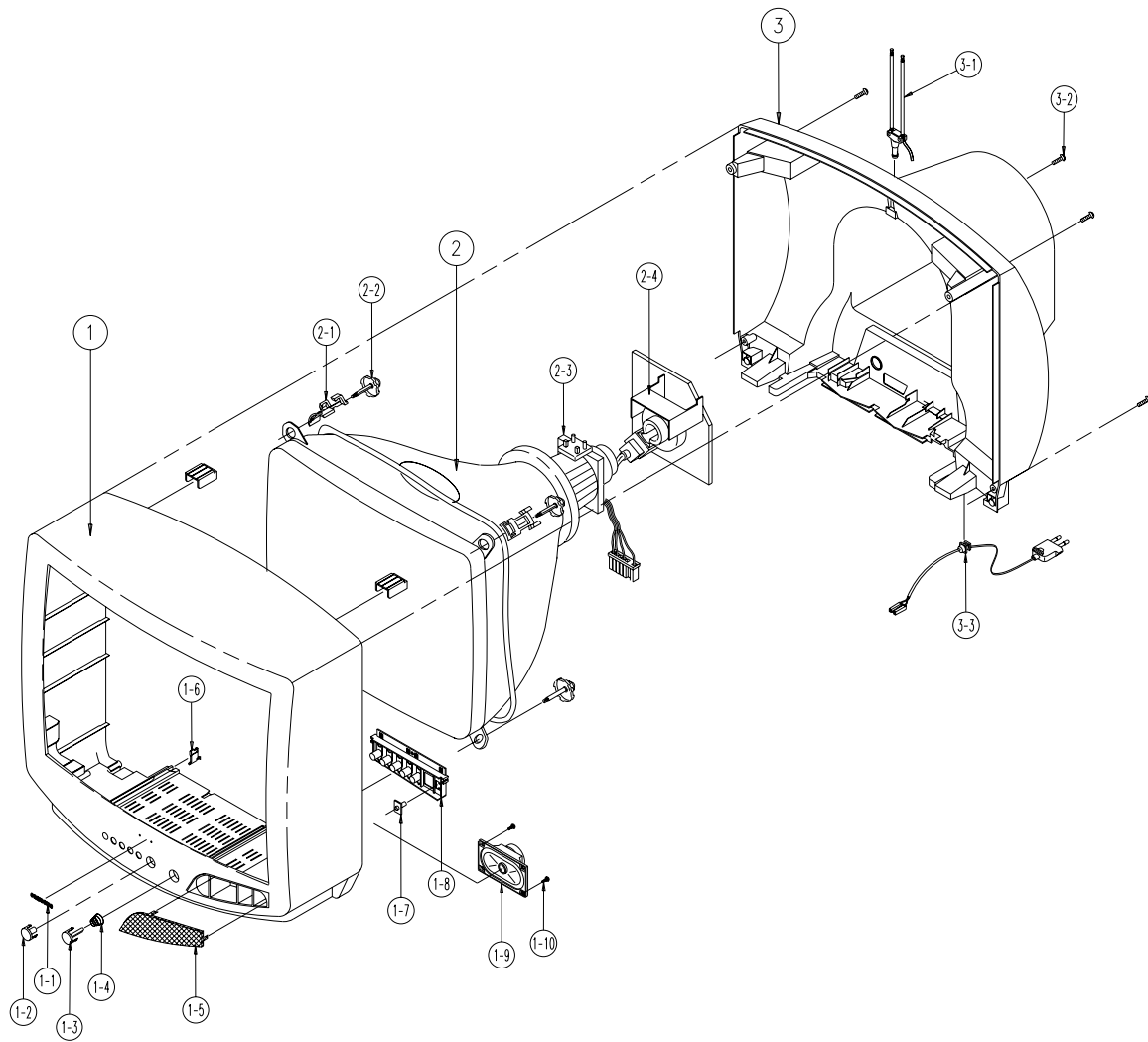
# 6-1.TXH1370/UCX, TXH1370/CCX



TXH1370/UCX, TXH1370/CCX

No	New Code No	Description & Specification	Q'ty	Remarks
1	L2001-0221-021	CABINET-FRONT;HIPS VO BLK PA100	1	SAMEX LOCAL
1-1	AA64-70009F	BADGE-BRAND;-AL,-L40,SILVER,	1	
1-2	AA64-40057A	WINDOW-REMOCON;-ABS,HB,-,-,33	1	
1-3	AA64-10153B	KNOB-POWER;-AB,HB,BLK,-,3338	1	
1-4	AA61-60003J	SPRING-CS;-,-,SUS304,0.5,OD6,H	1	
1-5	L3113-0003-011	BOSS-CABINET;HIPSVOLBKCT-5073	2	SAMEX LOCAL
1-6	3001-000281	SPEAKER-GENERAL;2.5W8OHM77MM77	1	
1-7	AA64-40189A	INDICATOR-LED;-ACRYL,-,-,33	1	
1-8	L4082-0215-000	KNOB-CONTROL;ABSHBBLKCT-3338	1	SAMEX LOCAL
2	D2019-400-083	CRT-COLOR;-A34KQV42X,+380MG,1	1	SAMEX LOCAL
2-1		CLAMPER-D,COIL		DELETE ITEM
2-2	AA60-10050C	SCREW-ASSY(CRT+CF);WC,HH,+,L30,SWRCH8,	4	
2-3	3704-001089	SOCKET CRT;9P,22.5PI,12PI,SN,13"	1	
3	L2001-0136-000	CABINET-BACK;HIPSVOLBLACKCT-337	1	SAMEX LOCAL
3-1	L7000-0132	ANT-ROD VHF;4SDODIPLE 850MM BRN	1	SAMEX LOCAL
3-2	6002-000514	SCREW-TAPPING(CB+CF);RH,+,2,M4,L15,ZP	4	
3-3	L3000-0002	POWER-CORD,AC;MSP-10W/SPT-2/F,BLK	1	SAMEX LOCAL

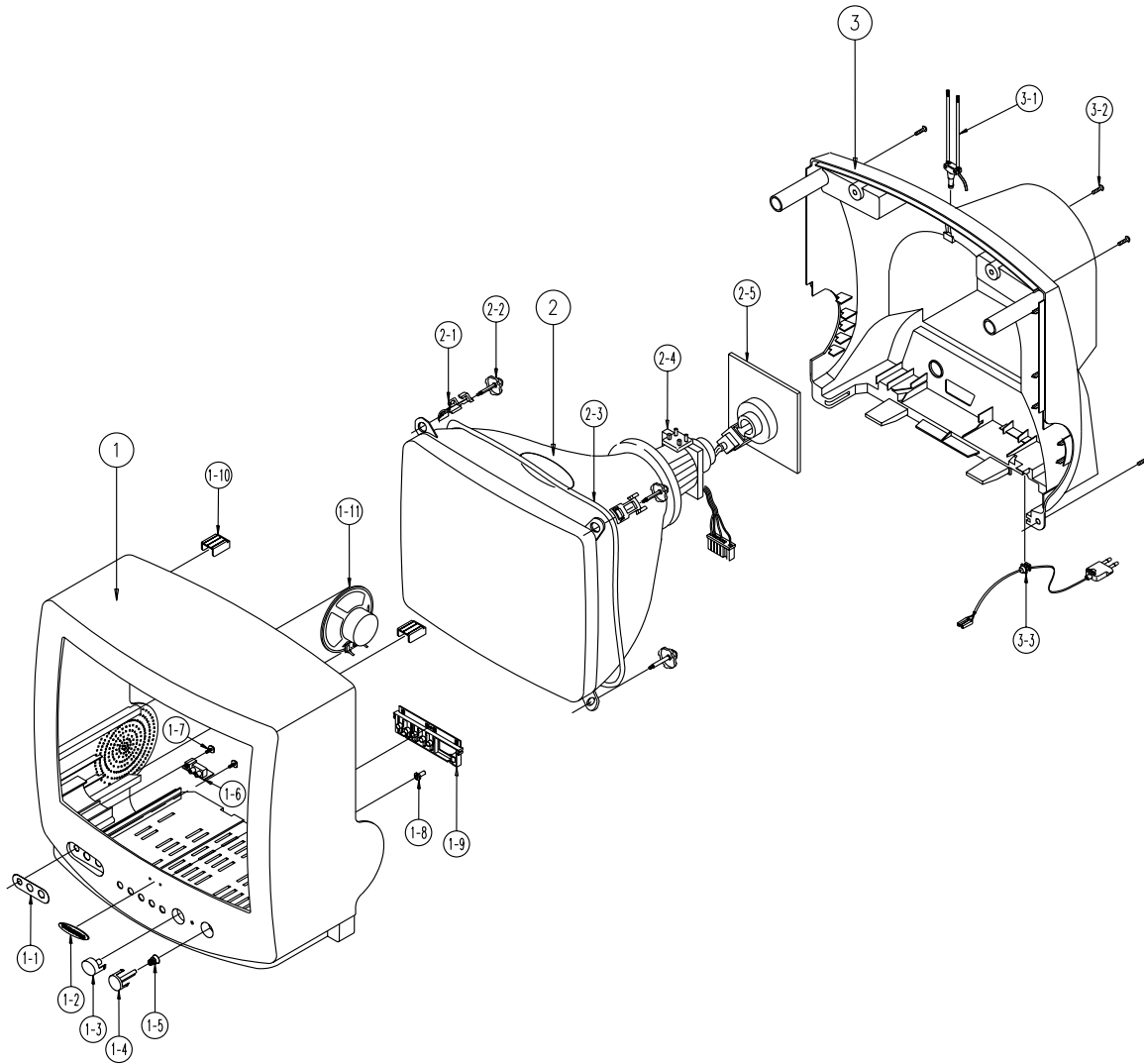
# 6-2.TXH1970/UCX, TXH1970/CCX



TXH1970/UCX, TXH1970/CCX

No	New Code No	Description & Specification	Q'ty	Remarks
1	L2001-0222-021	CABINET-FRONT;HIPS VO BLK PA10	1	SAMEX LOCAL
1-1	AA64-70015A	BADGE-BRAND;-AL,-L45,SILVER,	1	
1-2	AA64-40085A	WINDOW-REMOCON;-ABS,HB,-,NO-S	1	
1-3	AA64-10187B	KNOB-POWER;-ABS,HB,BLK,-,5038	1	
1-4	AA61-60003J	SPRING-CS;-SUS304,0.5,OD6,H	1	
1-5	AA63-50057A	GRILLE-WOOFER;DP,-,-,AA63-	1	
1-6	AA61-40007A	STOPPER-PCB;-ABSHB,-,NTR,50	1	
1-7	AA64-40188A	INDICATOR-LED;-ACRYL,-,50	1	
1-8	L4082-0337-000	KNOB-CONTROLCT-5037;ABS,HB,BLK	1	SAMEX LOCAL
1-9	3001-000191	SPEAKER;3W,8OHM,90DB,180HZ	1	
1-10	AA63-60001Z	SPACER-FELT;-FELT,T1.0,-,35X8	2	
2	AA03-10029W	CRT;A48KRD82X(H),+380MG,SEMI-T	1	
2-1		CLAMPER-D,COIL		DELETE ITEM
2-2	AA60-10050D	SCREW-ASSY(CRT+CF);WC,HH,+,M5,L35,SWRC	4	
2-3	AA27-50004W	D-Y;20",HI-TRON CRT	1	
2-4	3704-001090	SOCKET-CRT;9P,15.24PI,26.5PI,S	1	
3	L2001-0130-000	CABINET-BACK;HIPSVOLBLACKCT-507	1	SAMEX LOCAL
3-1	L7000-0132	ANT-RODVHF;4SDODIPOLE850MMBRN	1	SAMEX LOCAL
3-2	6002-000514	SCREW-TAPPING(CB+CF);RH,+,2,M4,L15,ZP	4	
3-3	L3000-0002	POWER-CORD,AC;MSP-10W/SPT-2/F,BLK	1	SAMEX LOCAL

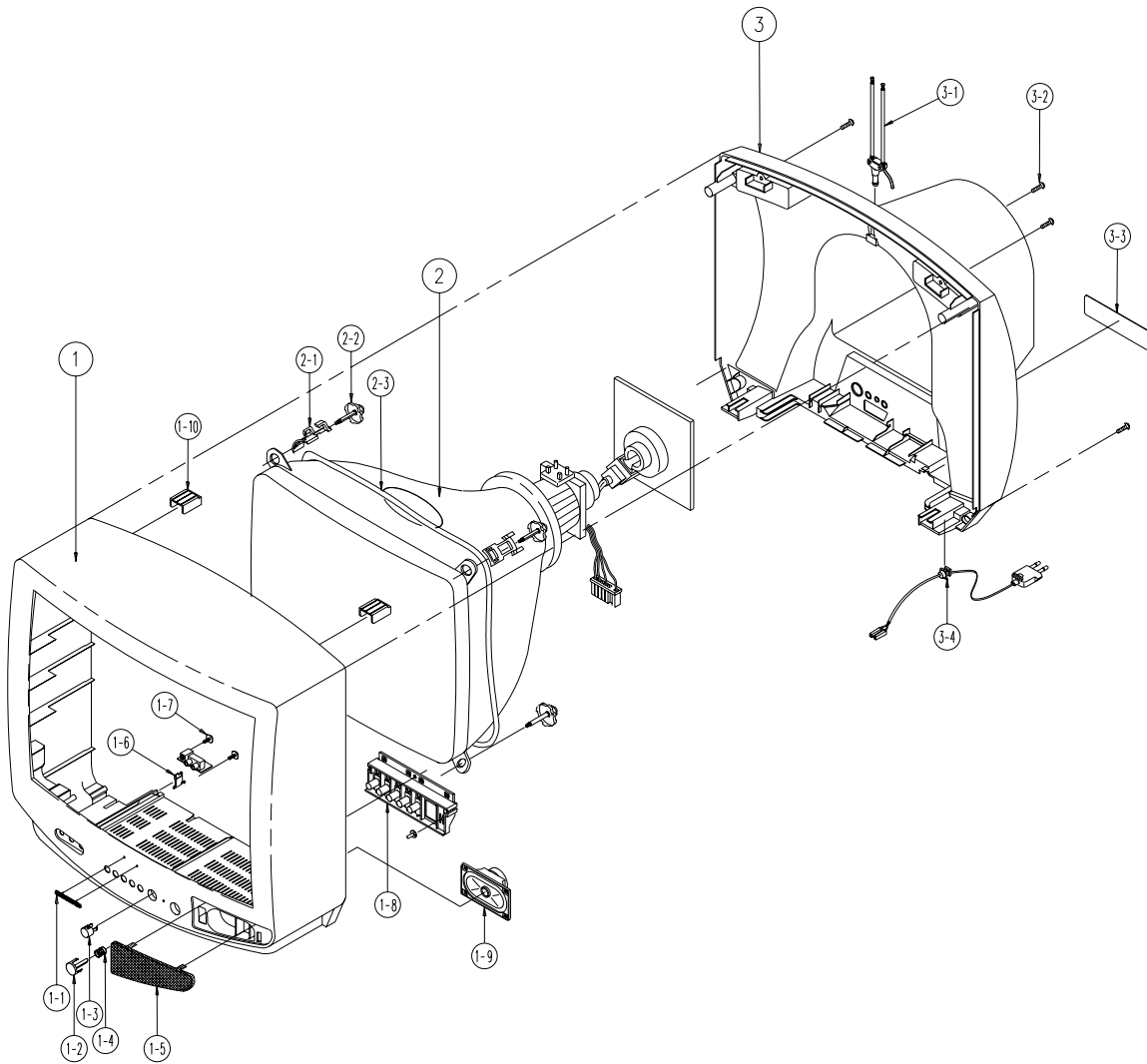
### 6-3. TXH1372/UCX, TXH1372/CCX



TXH1372/UCX, TXH1372/CCX

No	New Code No	Description & Specification	Q'ty	Remarks
1	L2001-0135-021	CABINET-FRONT;HIPS	1	SAMEX LOCAL
1-1	3722-000143	JACK-PHONE;1P,3.4MM,-,MBAG	1	
1-2	AA64-70009F	BADGE-BRAND;-AL,-,L40,SILVER,	1	
1-3	AA64-40051A	WINDOW-REMOCON;-ABS,HB,-,NO-S	1	
1-4	AA64-10137D	KNOB-POWER;-ABS,HB,BLK,-,3373	1	
1-5	AA61-60003J	SPRING-CS;-,-,SUS304,0.5,OD6,H	1	
1-6	3722-000184	JACK-RCA;2P,3.4MM,-,AG	1	
1-7	AA60-10002A	SCREW-TAPPING(PA+CF);-RH,+,M4,L12,ZP	2	
1-8	AA64-40184A	INDICATOR-LED;-ACRYL,-,-,33	1	
1-9	L4082-0186-000	KNOB-CONTROL;ABSHBBLKCT-3373	1	SAMEX LOCAL
1-10	L3113-0003-011	BOSS-CABINET;HIPSVOLBKCT-5073	2	SAMEX LOCAL
1-11	3001-000281	SPEAKER-GENERAL;2.5W8OHM77MM77	1	
2	D2019-400-083	CRT-COLOR;-A34KQV42X,+380MG,1	1	SAMEX LOCAL
2-1		CLAMP-D,COIL	2	S.N.A
2-2	AA60-10050D	SCREW-ASSY(CRT+CF);WC,HH,+,M5,L35,SWRC	4	
2-3	AA27-20003U	DEGAUSSING-COIL;14",16.4OHM,75T	1	
2-4	L7000-0005	DEFL-YOKE(SEMSA);DSE-1422FL	1	SAMEX LOCAL
2-5	3704-001089	SOCKET CRT;9P,22,5PI,12PI,SN,13"	1	
3	L2001-0136-000	CABINET-BACK;HIPSVOLBLACKCT-337	1	SAMEX LOCAL
3-1	L7000-0132	ANT-RODVHF;4SDODIPOLE850MMBRN	1	SAMEX LOCAL
3-2	6002-000514	SCREW-TAPPING(CB+CF);RH,+,2,M4,L15,ZP	4	
3-3	L3000-0002	POWER-CORD,AC;MSP-10W/SPT-2/F,BLK-HOU	1	SAMEX LOCAL

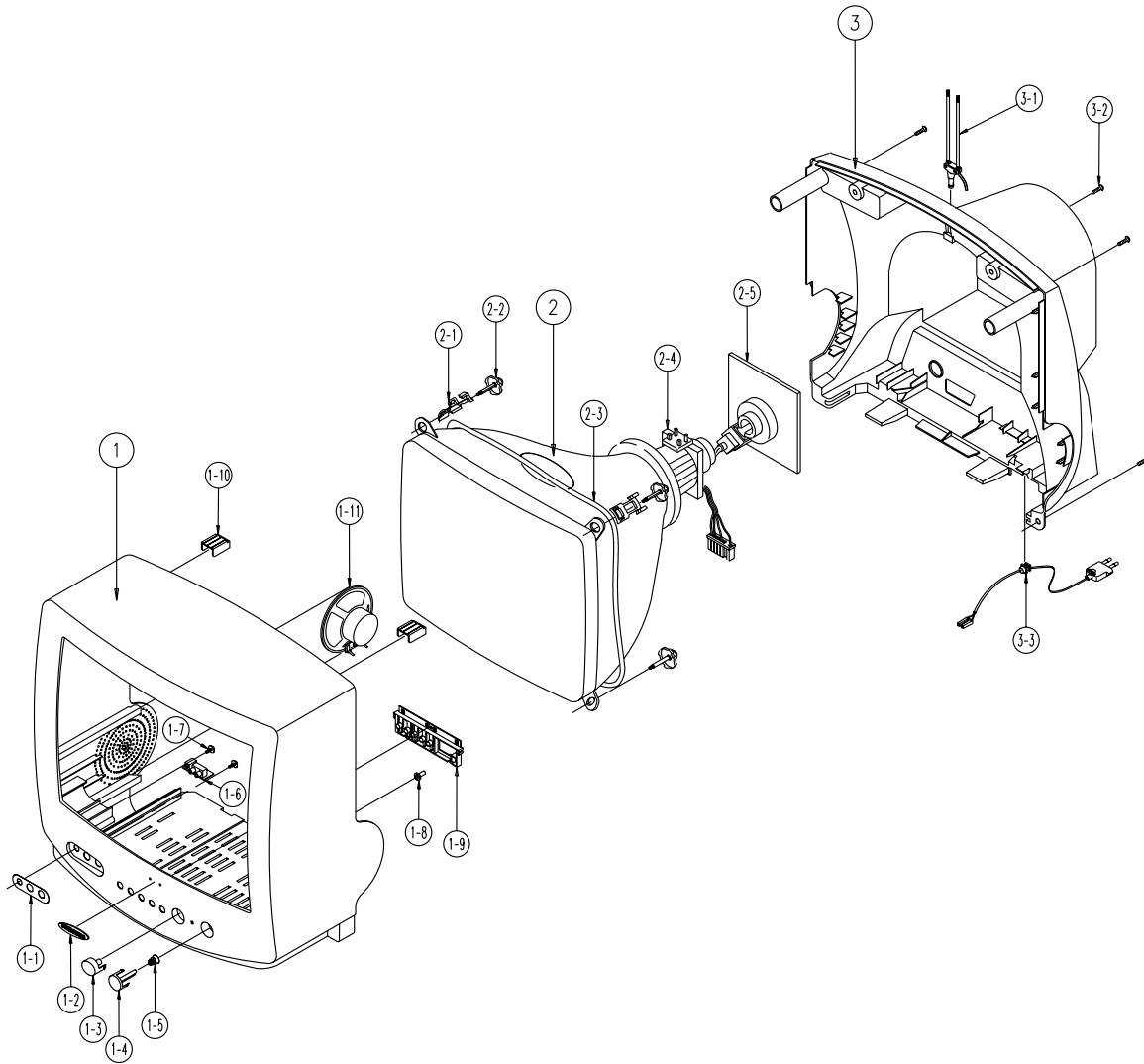
# 6-4. TXH1972/UCX, TXH1972/CCX



TXH1972/UCX, TXH1972/CCX

No	New Code No	Description & Specification	Q'ty	Remarks
1	L2001-0129-021	CABINET-FRONT;HIPS VO BLK PA10	1	SAMEX LOCAL
1-1	AA64-70015A	BADGE-BRAND;-AL,-,L45,SILVER,	1	
1-2	AA64-10131B	KNOB-POWER;-ABS,HB,BLK,-,5073	1	
1-3	AA64-40044A	WINDOW-REMOCON;-ABS,HB,-,NO-S	1	
1-4	AA61-60003T	SPRING-CS;-,-,SUS304,0.5,OD7,H	1	
1-5	AA63-50096A	GRILLE-WOOFER;DP,-,-,-,AA63-	1	
1-6		STOPPER-PCB		DELETE ITEM
1-7	AA60-10002A	SCREW-TAPPING(PA+CF);-RH,+,M4,L12,ZP	2	
1-8	L4082-0271-000	KNOB-CONTROL;ABS,HBBLKCT-5073	1	SAMEX LOCAL
1-9	3001-000191	SPEAKER;3W,8OHM,90DB,180HZ	1	
1-10		BOSS-CABINET		S.N.A
2	AA03-10029W	CRT;A48KRD82X(H),+380MG,SEMI-T	1	
2-1		CLAMPER-D,COIL		S.N.A
2-2	AA60-10050D	SCREW-ASSY(CRT+CF);WC,HH,+,M5,L35,SWRC	4	
2-3	LA27-20003F	COIL-DEGAUSSING;20",6.2,30T,23	1	SAMEX LOCAL
3	L2001-0130-000	CABINET-BACK;HIPSVOLBLACKCT-507	1	SAMEX LOCAL
3-1	L7000-0132	ANT-RODVHF;4SDODIPOLE850MMBRN	1	SAMEX LOCAL
3-2	6002-000514	SCREW-TAPPING(CB+CF);RH,+,2,M4,L15,ZP	4	
3-3		INLAY-BACK		S.N.A
3-4	L3000-0002	POWER-CORD,AC;MSP-10W/SPT-2/F,BLK-HOU	1	SAMEX LOCAL

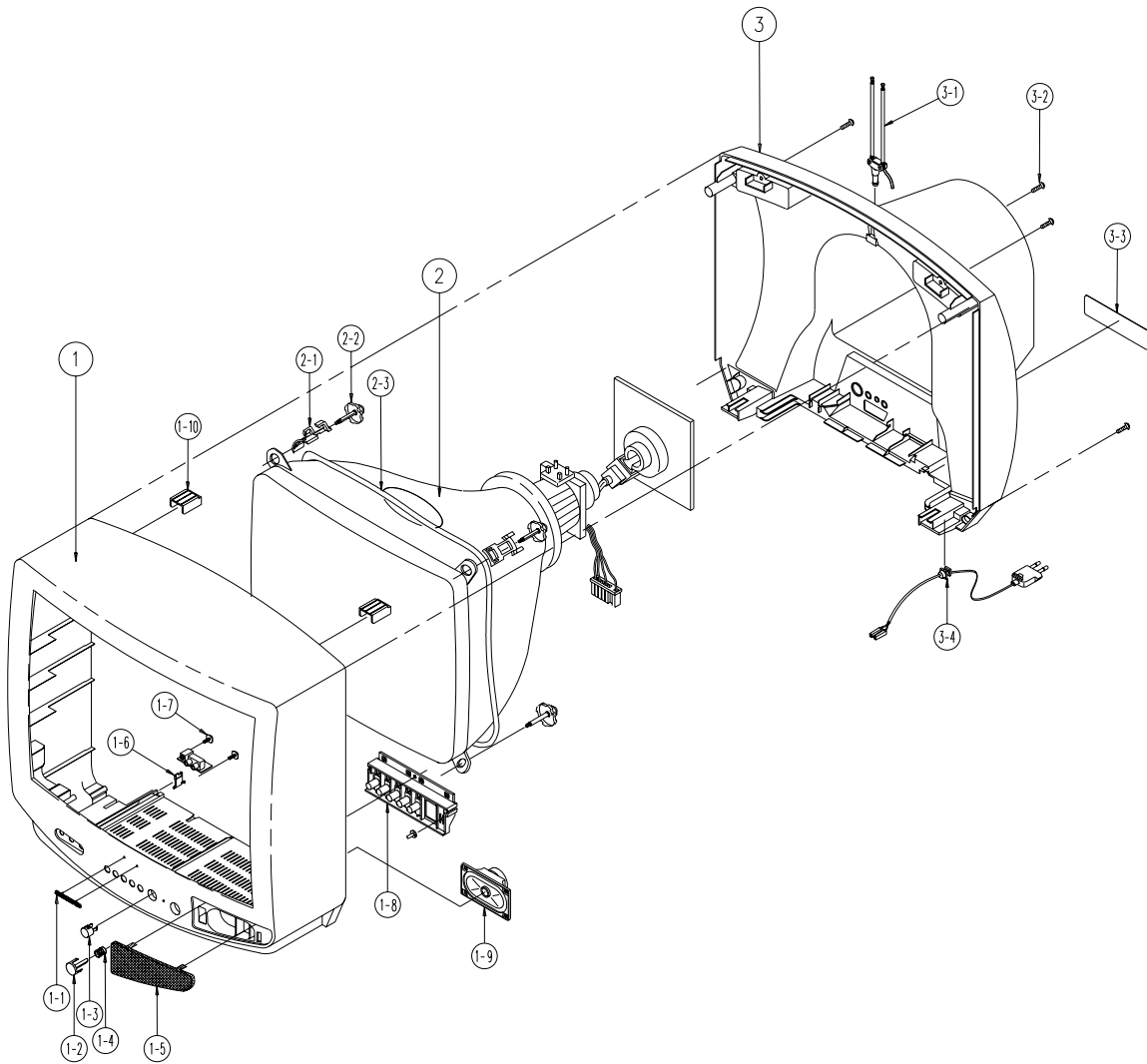
# 6-5. TXH1373/UCX, TXH1373/CCX



TXH1373/UCX, TXH1373/CCX

No	New Code No	Description & Specification	Q'ty	Remarks
1	L2001-0135-081	CABINET-FRONT;ABS VO WHT TXH1373 15A	1	SAMEX LOCAL
1-1	3722-000143	JACK-PHONE;1P,3.4MM,-,MBAG	1	
1-2	AA64-70009H	BADGE-BRAND;-AL,-,L40,W/G,R80	1	
1-3	AA64-40051A	WINDOW-REMOCON;-ABS,HB,-,NO-S	1	
1-4	AA64-10137F	KNOB-POWER;-ABS,HB,WHT,-,3373	1	
1-5	AA61-60003J	SPRING-CS;-SUS304,0.5,OD6,H	1	
1-6	3722-000184	JACK-RCA;2P,3.4MM,-,AG	1	
1-7	AA60-10002A	SCREW-TAPPING(PA+CF);-RH,+,M4,L12,ZP	2	
1-8	AA64-40184A	INDICATOR-LED;-ACRYL,-,-,33	1	
1-9	L4082-0186-010	KNOB-CONTROL;ABSHBWHHTXD1373	1	SAMEX LOCAL
1-10	L3113-0003-021	BOSS-CABINET;ABSVOWHTTXD1373	2	SAMEX LOCAL
1-11	3001-000281	SPEAKER-GENERAL;2.5W8OHM77MM77	1	
2	D2019-400-083	CRT-COLOR;-A34KQV42X,+380MG,1	1	SAMEX LOCAL
2-1		CLAMP-D,COIL	2	S.N.A
2-2	AA60-10050R	SCREW-ASSY(CRT+CF);WC,HH,+,M5,L31.5,SWR	4	
2-3	AA27-20003U	DEGAUSSING-COIL;14",16.4OHM,75T	1	
2-4	L7000-0005	DEFL-YOKE(SEMSA);DSE-1422FL	1	SAMEX LOCAL
2-5	3704-001089	SOCKET CRT;9P,22.5PI,12PI,SN,13"	1	
3	L2001-0136-030	CABINET-BACK;ABSVOWHTTXD1373	1	SAMEX LOCAL
3-1	L7000-0132	ANT-RODVHF;4SDODIPOLE850MMBRN	1	SAMEX LOCAL
3-2	6002-000514	SCREW-TAPPING(CB+CF);RH,+,2,M4,L15,ZP	4	
3-3	AA39-10003X	POWER-CORD;-KKP-10W,SPT-2,2.1	1	

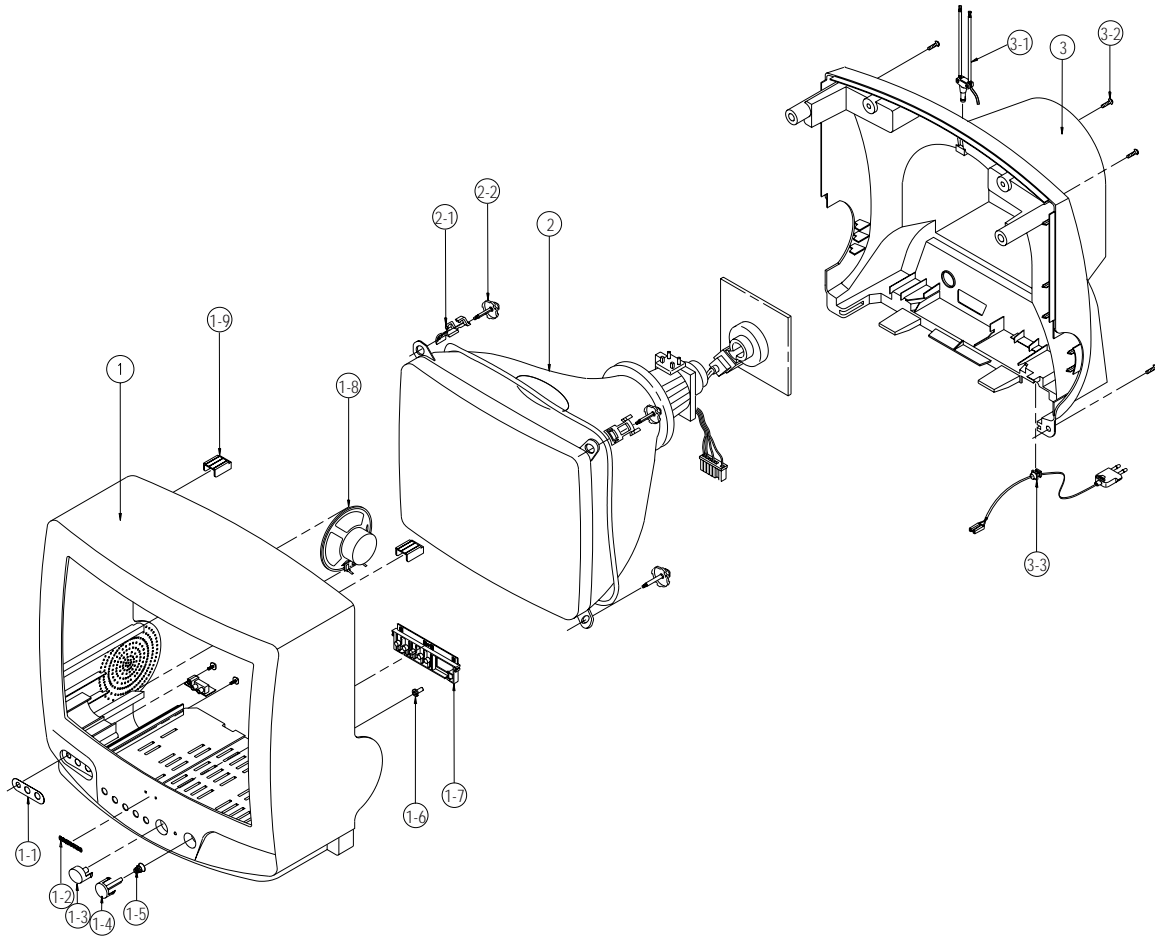
# 6-6. TXH1973/CCX



## TXH1973/CCX

No	New Code No	Description & Specification	Q'ty	Remarks
1	L2001-0129-021	CABINET-FRONT;HIPS VO BLK PA10	1	SAMEX LOCAL
1-1	AA64-70015A	BADGE-BRAND;-AL,-,L45,SILVER,	1	
1-2	AA64-10131B	KNOB-POWER;-ABS,HB,BLK,-,5073	1	
1-3	AA64-40044A	WINDOW-REMOCON;-ABS,HB,-,NO-S	1	
1-4	AA61-60003T	SPRING-CS;-,-,SUS304,0.5,OD7,H	1	
1-5	AA63-50096A	GRILLE-WOOFER;DP,-,-,-,AA63-	1	
1-6	AA61-40007A	STOPPER-PCB;-ABSHB,-,-,NTR,50	1	
1-7	AA60-10002A	SCREW-TAPPING(PA+CF);-RH,+,M4,L12,ZP	2	
1-8	L4082-0271-000	KNOB-CONTROL;ABS,HBBLKCT-5073	1	SAMEX LOCAL
1-9	3001-000191	SPEAKER;3W,8OHM,90DB,180HZ	1	
1-10		BOSS-CABINET		S.N.A
2	AA03-10029W	CRT;A48KRD82X(H),+380MG,SEMI-T	1	
2-1		CLAMPER-D,COIL		S.N.A
2-2	AA60-10050D	SCREW-ASSY(CRT+CF);WC,HH,+,M5,L35,SWRC	4	
2-3	LA27-20003F	COIL-DEGAUSSING;20",6.2,30T,23	1	SAMEX LOCAL
3	L2001-0130-000	CABINET-BACK;HIPSVOLBLACKCT-507	1	SAMEX LOCAL
3-1	L7000-0132	ANT-RODVHF;4SDODIPOLE850MMBRN	1	SAMEX LOCAL
3-2	6002-000514	SCREW-TAPPING(CB+CF);RH,+,2,M4,L15,ZP	4	
3-3		INLAY-BACK		S.N.A
3-4	L3000-0002	POWER-CORD,AC;MSP-10W/SPT-2/F,	1	SAMEX LOCAL

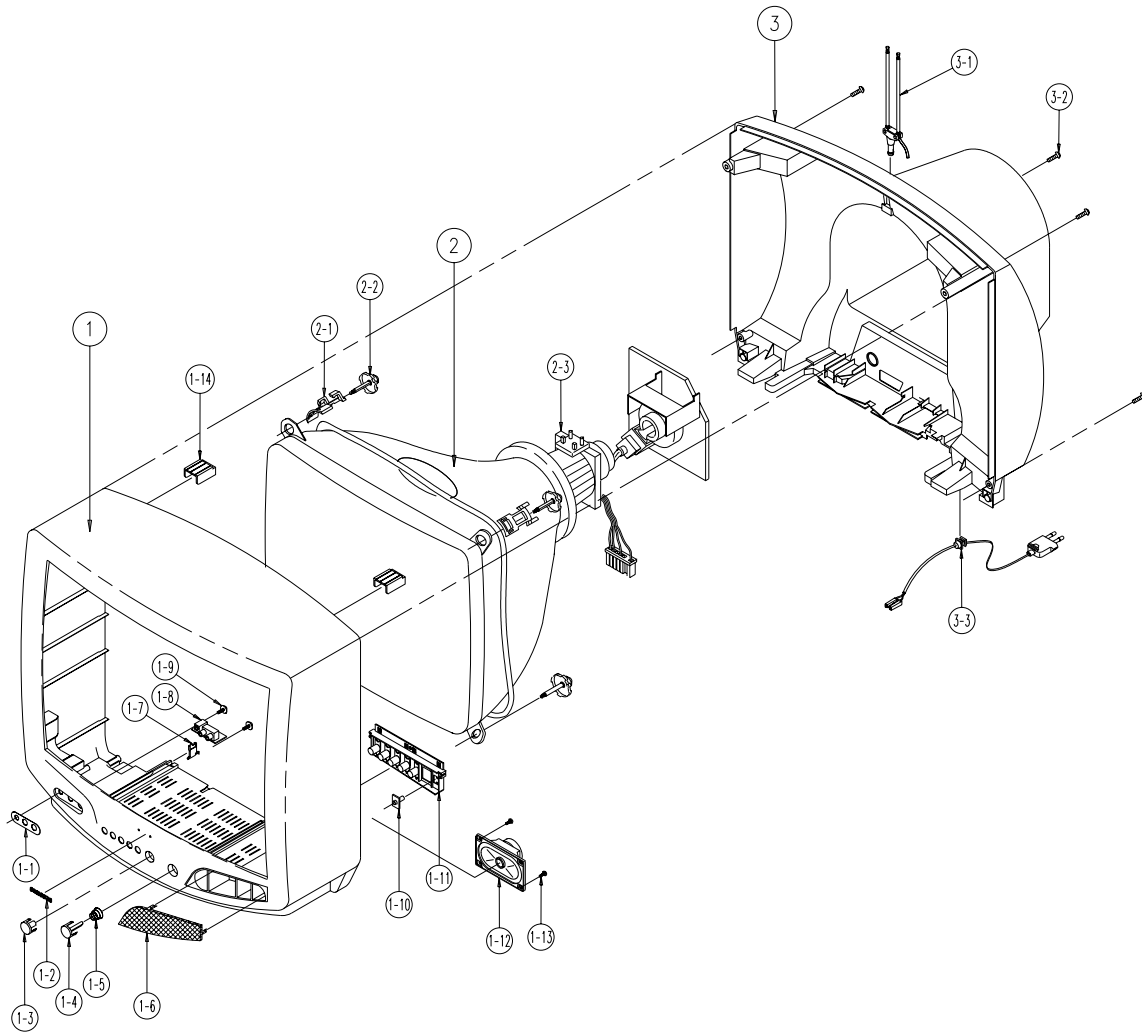
# 6-7. TXH1386/UCX



# TXH1386/UCX

No	New Code No	Description & Specification	Q'ty	Remarks
1	L2001-0156-021	CABINET-FRONT;HIPS VO BLK PA100 TXH1386	1	SAMEX LOCAL
1-1	3722-000162	JACK-PIN;2P,3.4MM,-,SN	1	
1-2	AA64-70009F	BADGE-BRAND;-AL,-,L40,SILVER,	1	
1-3	AA64-40057A	WINDOW-REMOCON;-ABS,HB,-,-,33	1	
1-4	AA64-10153B	KNOB-POWER;-AB,HB,BLK,-,3338	1	
1-5	AA61-60003J	SPRING-CS;-,-,SUS304,0.5,OD6,H	1	
1-6	AA64-40189A	INDICATOR-LED;-ACRYL,-,-,33	1	
1-7	L4082-0215-000	KNOB-CONTROL;ABSHBBLKCT-3338	1	SAMEX LOCAL
1-8	3001-000281	SPEAKER-GENERAL;2.5W8OHM77MM77	1	
1-9		BOSS-CABINET		S.N.A
2	D2019-400-083	CRT-COLOR;-A34KQV42X,+380MG,1	1	SAMEX LOCAL
2-1		CLAMPER-D,COIL		S.N.A
2-2	AA60-10050C	SCREW-ASSY(CRT+CF);WC,HH,+,L30,SWRCH8,	4	
3	L2001-0136-000	CABINET-BACK;HIPSVOLBLACKCT-337	1	SAMEX LOCAL
3-1	L7000-0132	ANT-RODVHF;4SDODIPOLE850MMBRN	1	SAMEX LOCAL
3-2	6002-000514	SCREW-TAPPING;RH,+,2,M4,L15,ZP	4	
3-3	L3000-0002	POWER-CORD,AC;MSP-10W/SPT-2/F,BLK-HOU	1	SAMEX LOCAL

# 6-8. TXH1986/UCX



# TXH1986/UCX

No	New Code No	Description & Specification	Q'ty	Remarks
1	L2001-0153-021	CABINET-FRONT;HIPS VO BLK PA10	1	SAMEX LOCAL
1-1	3722-000162	JACK-PIN;2P,3.4MM,-,SN	1	
1-2	AA64-70015A	BADGE-BRAND;-AL,-,L45,SILVER,	1	
1-3	AA64-40085A	WINDOW-REMOCON;-ABS,HB,-,NO-S	1	
1-4	AA64-10187B	KNOB-POWER;-ABS,HB,BLK,-,5038	1	
1-5	AA61-60003J	SPRING-CS;-,-,SUS304,0.5,OD6,H	1	
1-6	AA63-50057A	GRILLE-WOOFER;DP,-,-,-,AA63-	1	
1-7	AA61-40007A	STOPPER-PCB;-ABSHB,-,-,NTR,50	1	
1-8	3722-000143	JACK-PHONE;1P,3.4MM,-,MBAG	1	
1-9	AA60-10002A	SCREW-TAPPING;-RH,+,M4,L12,ZP	2	
1-10	AA64-40188A	INDICATOR-LED;-ACRYL,-,-,-,50	1	
1-11	L4082-0205-000	KNOB-CONTROL;ABSHBBLKCT-5038	1	SAMEX LOCAL
1-12	3001-000191	SPEAKER;3W,8OHM,90DB,180HZ	1	
1-13	AA63-60001Z	SPACER-FELT;-FELT,T1.0,-,35X8	2	
2	AA03-10029W	CRT;A48KRD82X(H),+380MG,SEMI-T	1	
2-2	AA60-10050R	SCREW-ASSY;WC,HH,+M5,L31.5,SWR	4	
2-3	AA27-50004W	D-Y;20",HI-TRON CRT	1	
2-4	3704-001090	SOCKET-CRT;9P,15.24PI,26.5PI,S	1	
3	L2001-0130-000	CABINET-BACK;HIPSVOLBLACKCT-507	1	SAMEX LOCAL
3-1	L7000-0132	ANT-RODVHF;4SDODIPOLE850MMBRN	1	SAMEX LOCAL
3-2	6002-000514	SCREW-TAPPING;RH,+,2,M4,L15,ZP	4	
3-3	L3000-0002	POWER-CORD,AC;MSP-10W/SPT-2/F,BLK-HOU	1	SAMEX LOCAL

## 7. Electric Parts List

### 7-1. TXH1370/UCX, TXH1370/CCX

Loc	Part-No	Description & Specification	Remarks
-----	---------	-----------------------------	---------

#### ASSY- PCB,MAIN

\* AA94-10133G ASSY-PCB,MAIN(COM);K15A(0),S/V,13"

C101	2202-000127	C-CERAMIC,MLC-AXIAL;10NF,+80-2	
C102	2401-000660	C-ELECTROLYTIC;CE04WTAPG50V2.2	
C104	2202-000127	C-CERAMIC,MLC-AXIAL;10NF,+80-2	
C108	2401-000480	C-AL;10UF,20%,50V,GP,5X11MM,5M	
C110	2401-000808	C-AL;220UF,20%,16V,GP,8X11MM,5	
C151	2202-000127	C-CERAMIC,MLC-AXIAL;10NF,+80-2	
C153	2202-000127	C-CERAMIC,MLC-AXIAL;10NF,+80-2	
C201	2201-000292	C-CERAMIC,DISC;1NF,10%,50V,Y5P	
C202	2401-001333	C-ELECTROLYTIC;CE04WTAPG50V0.4	
C203	2401-001495	C-AL;47UF,20%,16V,GP,5X11MM,5M	
C204	2301-000188	C-FILM,PEF;1NF,5%,100V,10.5X12	
C205	2401-001333	C-ELECTROLYTIC;CE04WTAPG50V0.4	
C206	2305-001011	C-FILM,MPEF;22NF,5%,100V,3.5X12.5X7.5	
C207	2401-001333	C-ELECTROLYTIC;CE04WTAPG50V0.4	
C209	2305-000665	C-FILM;CF922N63VT104-J-40/1053	
C210	2305-000665	C-FILM;CF922N63VT104-J-40/1053	
C211	2305-000665	C-FILM;CF922N63VT104-J-40/1053	
C212	2201-000982	C-CERAMIC,DISC;10NF,+80-20%,50	
C213	2201-000193	C-CERAMIC,DISC;10PF,0.25PF,50V	
C214	2401-000660	C-ELECTROLYTIC;CE04WTAPG50V2.2	
C215	2401-001840	C-AL;100UF,20%,16V,GP,TP,6.3X1	
C216	2201-000354	C-CERAMIC,DISC;20PF,5%,50V,NPO	
C218	2301-000181	C-FILM,PEF;18NF,5%,50V,7.1X3.5	
C219	2401-000603	C-AL;1UF,20%,50V,GP,5X11MM,5MM	
C220	2401-000480	C-AL;10UF,20%,50V,GP,5X11MM,5M	
C221	2401-002462	C-ELECTROLYTIC;CE04WTAPG16V33M	
C222	2305-000665	C-FILM;CF922N63VT104-J-40/1053	
C225	2401-000480	C-AL;10UF,20%,50V,GP,5X11MM,5M	
C226	2401-000603	C-AL;1UF,20%,50V,GP,5X11MM,5MM	
C227	2305-000665	C-FILM;CF922N63VT104-J-40/1053	
C229	2202-000127	C-CERAMIC,MLC-AXIAL;10NF,+80-2	
C230	2305-000665	C-FILM;CF922N63VT104-J-40/1053	
C231	2401-001495	C-AL;47UF,20%,16V,GP,5X11MM,5M	
C232	2401-001495	C-AL;47UF,20%,16V,GP,5X11MM,5M	
C233	2401-000480	C-AL;10UF,20%,50V,GP,5X11MM,5M	
C234	2301-000264	C-FILM,PEF;4.7NF,5%,50V,6.5X5	
C235	2202-000279	C-CERAMIC,MLC-AXIAL;47PF,5%,50	
C236	2202-000127	C-CERAMIC,MLC-AXIAL;10NF,+80-2	
C237	2202-000154	C-CERAMIC,MLC-AXIAL;150PF,10%,	
C301	2301-000226	C-FILM,PEF;27NF,5%,100V,7.3X4X12.5	
C302	2201-000556	C-CERAMIC,DISC;470PF,10%,500V,	
C303	2202-000127	C-CERAMIC,MLC-AXIAL;10NF,+80-2	
C304	2401-000553	C-AL;1UF,10%,50V,GP,5X11MM,5MM	
C305	2305-000427	C-FILM,MPEF;47NF,5%,100V,7.5X1	
C306	2401-002458	C-AL;1000UF,20%,35V,GP,16X25MM	
C308	2301-000310	C-FILM,PEF;68NF,5%,50V,8.0X8.5	
C309	2401-000360	C-AL;100UF,20%,50V,GP,8X11MM,5	
C310	2401-000480	C-AL;10UF,20%,50V,GP,5X11MM,5M	
C311	2401-001333	C-ELECTROLYTIC;CE04WTAPG50V0.4	
C312	2401-000553	C-AL;1UF,10%,50V,GP,5X11MM,5MM	
C313	2305-000470	C-FILM,MPEF;68NF,5%,100V,-,5MM	
C401	2301-000224	C-FILM,PEF;22NF,5%,50V,7.4X3.9	
△ C402	2306-000253	C-FILM;CF922P1.6KVT722-JBUP	
C403	2201-000991	C-CERAMIC,HIC;CK45(T)B2KV561-K	

Loc	Part-No	Description & Specification	Remarks
-----	---------	-----------------------------	---------

C404	2306-000004	C-FILM,MPPF;330NF,5%,250V,TP,2	
C405	2305-000704	C-M,POLYESTER;CFS922MTAPG250V1	
C406	2201-000556	C-CERAMIC,DISC;470PF,10%,500V,	
C407	2401-001429	C-ELECTROLYTIC;CE04WTAPG50V470	
C408	2201-000556	C-CERAMIC,DISC;470PF,10%,500V,	
C409	2401-001998	C-AL;1000UF,20%,25V,GP,TP,10X20	
C410	2301-000224	C-FILM,PEF;22NF,5%,50V,7.4X3.9	
C411	2201-000556	C-CERAMIC,DISC;470PF,10%,500V,	
C412	2401-000927	C-AL;22UF,20%,250V,GP,13X20MM,	
C413	2401-000560	C-AL;1UF,20%,160V,GP,GT,6.3,11MM	
C444	2201-000441	C-CERAMIC,DISC;3.3NF,10%,500V,	
C445	2201-000441	C-CERAMIC,DISC;3.3NF,10%,500V,	
C501	2202-000821	C-CERAMIC,MCL-AXIAL;560PF,10%,50V	
C502	2202-000862	C-CERAMIC;CCOASL50VT391-JUP050	
C503	2202-000825	C-CERAMIC,MLC-AXIAL;680PF,10%,50V	
C505	2201-002063	C-CERAMIC,MCL-AXIAL;10NF,-20,+80%	
C601	2401-000962	C-ELECTROLYTIC;CE04WTAPG50V22M-	
C603	2301-000289	C-FILM,PEF;5.6NF,5%,50V,6.5X5	
C604	2401-000660	C-ELECTROLYTIC;CE04WTAPG50V2.2	
C605	2305-000665	C-FILM;CF922N63VT104-J-40/1053	
C609	2401-000133	C-AL;1000UF,20%,16V,GP,13X20MM	
C611	2202-000279	C-CERAMIC,MLC-AXIAL;47PF,5%,50	
C612	2202-000279	C-CERAMIC,MLC-AXIAL;47PF,5%,50	
C651	2401-000660	C-ELECTROLYTIC;CE04WTAPG50V2.2	
C654	2401-001363	C-AL;470UF,20%,16V,GP,TP,10X12	
C701	2305-000665	C-FILM;CF922N63VT104-J-40/1053	
C702	2401-000471	C-AL;10UF,20%,50V,BP,6X11MM,5M	
C703	2202-000183	C-CERAMIC;CKOAX7R16VT222-MEP05	
C705	2202-000183	C-CERAMIC;CKOAX7R16VT222-MEP05	
C801	2401-000822	C-ELECTROLYTIC;CE04W200V220U-H	
C802	2201-000119	C-CERAMIC,DISC;100NF,+80-20%,5	
C803	2303-000163	C-FILM,PPF;2.2NF,5%,800V,-,-,T	
△ C804	2201-000987	C-CERAMIC,AC;CK45PE400V222-M(T	
C805	2201-000991	C-CERAMIC,HIC;CK45(T)B2KV561-K	
C806	2401-000262	C-AL;100UF,20%,160V,GP,16X25MM,5MM,	
C807	2201-000599	C-CERAMIC,DISC;560PF,10%,500V,	
C808	2301-000223	C-FILM,PEF;22NF,5%,100V,7.2X4	
C809	2401-001998	C-AL;1000UF,20%,25V,GP,TP,10X20	
C810	2305-000412	C-FILM,MPEF;470NF,5%,63V,-,5MM	
C812	2401-001840	C-AL;100UF,20%,16V,GP,TP,6.3X1	
C813	2401-001495	C-AL;47UF,20%,16V,GP,5X11MM,5M	
△ C814	2306-000318	C-FILM,MPPF;220NF,20%,250V,-,2	
C816	2401-000480	C-AL;10UF,20%,50V,GP,5X11MM,5M	
C817	2401-001840	C-AL;100UF,20%,16V,GP,TP,6.3X1	
△ C819	2201-000963	C-CERAMIC;CK45Y5U400VACT102-MH	
C820	2401-001998	C-AL;1000UF,20%,25V,GP,TP,10X20	
C821	2401-001486	C-AL;47UF,20%,160V,HR,13X20MM,5MM,T	
C822	2301-000192	C-FILM,PEF;1NF,5%,50V,5.3X10MM	
C823	2201-000370	C-CERAMIC,DISC;220PF,10%,50V,Y5P	
C851	2401-001571	C-ELECTROLYTIC;CE04WTAPG50V47-	
C852	2301-000310	C-FILM,PEF;68NF,5%,50V,8.0X8.5	
C901	2401-001495	C-AL;47UF,20%,16V,GP,5X11MM,5M	
C902	2202-000796	C-CERAMIC,MLC-AXIAL;1NF,10%,50	
C903	2401-000480	C-AL;10UF,20%,50V,GP,5X11MM,5M	
C904	2202-000796	C-CERAMIC,MLC-AXIAL;1NF,10%,50	
C905	2401-001333	C-ELECTROLYTIC;CE04WTAPG50V0.4	
C907	2401-001271	C-ELECTROLYTIC;CE04WTAPG50V4.7	
C908	2201-000193	C-CERAMIC,DISC;10PF,0.25PF,50V	

Loc	Part-No	Description & Specification	Remarks	Loc	Part-No	Description & Specification	Remarks
C909	2201-000573	C-CERAMIC,DISC;47PF,5%,50V,NPO		DZ901	0403-000296	DIODE-ZENER;EQA02-06A/MTZ5.6B(	
C911	2401-000480	C-AL;10UF,20%,50V,GP,5X11MM,5M		DZ902	0403-000296	DIODE-ZENER;EQA02-06A/MTZ5.6B(	
C912	2301-000310	C-FILM,PEF;68NF,5%,50V,8.0X8.5		DZ903	0403-000295	DIODE-ZENER;MTZ5.1B	
C914A	2401-000947	C-AL;22UF,20%,35V,GP,5X11MM,-,		△ F801	3601-001012	FUSE-FERRULE;250V,4A,SLOW-BLOW	
C915	2202-000127	C-CERAMIC,MLC-AXIAL;10NF,+80-2		F801A	3602-000114	FUSE-HOLDER;-,-,30MOHM	
CLW/H	AA65-30003A	CLAMP-WIRE;-;NYLON-66,V0,NTR,V		F801B	3602-000114	FUSE-HOLDER;-,-,30MOHM	
CN501	L6434-0084-03	CONNECTORASSY;B8XB8300M1007#26	LOCAL	GT101	AA39-20010D	LEAD-CONNECTOR,ASSY;-;YFH800-01,S,1P	
CN603	3711-002642	POST-HEADER;67094-003(AUTO)		IC201	1204-001296	IC-CHROMA;KA2163B,DIP,56P,-,PL	
CU02	2305-000665	C-FILM;CF922N63VT104-J-40/1053		IC301	1204-000475	IC;KA2131	H/SINK
CU10	2401-000832	C-AL;220UF,20%,25V,GP,8X11MM,5		IC601	1201-001298	IC-POWER AMP;4425,SIP,5P,9.5MIL	H/SINK
CX01	2202-000127	C-CERAMIC,MLC-AXIAL;10NF,+80-2		△ IC801	1203-001493	IC-PEM CONTROLLER;3S0765RF,TO3PF-5L	H/SINK
CX02	2401-000480	C-AL;10UF,20%,50V,GP,5X11MM,5M		IC802	1203-001532	IC-S/WREGU;IC KA1731	
CX03	2401-000480	C-AL;10UF,20%,50V,GP,5X11MM,5M		IC901	AA13-30020A	IC-MCU;-;Z8933412PSC-R3757,16BIT,SDIP	
CX04	2201-000556	C-CERAMIC,DISC;470PF,10%,500V,		IC902	1103-001107	IC-EEPROM;24C020.256X8BIT,DIP,8P	
D101	0403-000700	DIODE-ZENER;TZP33A,33V,31-35V,		JA701	3722-000162	JACK-PIN;2P,3.4MM,-,SN	
D102	0403-000296	DIODE-ZENER;EQA02-06A/MTZ5.6B(		JU13	2001-000429	R-CARBON;1KOHM,5%,1/8W,AA,TP,1	
D103	0402-000132	DIODE-RECTIFIER;1N4004,400V,1A,DO-41		L102	2701-000207	INDUCTOR-AXIAL;56UH,5%,2.5X3.4	
D201	0403-000663	DIODE-ZENER;MTZ3.3B,3.3V,3.32-		L152	2701-000326	INDUCTOR AXIAL;560NH,10%,2.3X3.4MM	
D202	0401-000005	DIODE;1N4148TAPG		L201	AA26-10004K	TRANS-IF;-;7MG,SIF,-,7MM,100PF	
D203	0401-000005	DIODE;1N4148TAPG		L202	2701-000207	INDUCTOR-AXIAL;56UH,5%,2.5X3.4	
D204	0401-000005	DIODE;1N4148TAPG		L203	2701-000158	INDUCTOR-AXIAL;22UH,10%,2.5X3.	
D205	0403-000295	DIODE-ZENER;MTZ5.1B		L204	2701-000207	INDUCTOR-AXIAL;56UH,5%,2.5X3.4	
D206	0401-000005	DIODE;1N4148TAPG		L205*	AA26-10004C	TRANS-IF;-;7MG,VIF,0.37UH,7MM,	
D207	0401-000005	DIODE;1N4148TAPG		L206	2701-000111	INDUCTOR-AXIAL;100UH,10%,2.5X3	
D208	0402-000132	DIODE-RECTIFIER;1N4004,400V,1A,DO-41		L208	2701-000114	INDUCTOR-AXIAL;10UH,10%,2.5X3.	
D210	0403-000563	DIODE-ZENER;MTZ9.1B,9.1V,8.57-		L301	2701-000116	INDUCTOR-AXIAL;10UH,10%,4.2X9.	
D299	0403-000654	DIODE-ZENER;MTZ12,12V,11.4-12.		△ L401	AA27-30001B	COIL-LINEARITY;-;195UH,QIC1010	
D301	0402-001105	DIODE-RECTIFIER;ERB43-04SV1,40		L402	2701-001032	INDUCTOR-AXIAL;100UH,10%,5X14MM	
D302	0403-000654	DIODE-ZENER;MTZ12,12V,11.4-12.		L501	2701-000184	INDUCTOR-AXIAL;4.7UH,10%,2.5X3.4MM	
D401	0402-000132	DIODE-RECTIFIER;1N4004,400V,1A,DO-41		L502	2701-000184	INDUCTOR-AXIAL;4.7UH,10%,2.5X3.4MM	
D402	0402-000132	DIODE-RECTIFIER;1N4004,400V,1A,DO-41		L503	2701-000184	INDUCTOR-AXIAL;4.7UH,10%,2.5X3.4MM	
D403	0402-001105	DIODE-RECTIFIER;ERB43-04SV1,40		L601	2901-000297	FILTER-EMIBEAD;HF70ZBF3.5X5X0.	
D404	0402-001105	DIODE-RECTIFIER;ERB43-04SV1,40		L602	2701-000158	INDUCTOR-AXIAL;22UH,10%,2.5X3.	
D405	0402-001105	DIODE-RECTIFIER;ERB43-04SV1,40		△ L801	AA29-30001R	FILTER-LINE;-;6MH,2.0A,-,SQ191	
D407	0402-001105	DIODE-RECTIFIER;ERB43-04SV1,40		L802	3301-000287	CORE-FERRITEBEAD;AA,3.5X1.0X6.	
D601	0401-000005	DIODE;1N4148TAPG		L803	2901-000297	FILTER-EMIBEAD;HF70ZBF3.5X5X0.	
D701	0403-000563	DIODE-ZENER;MTZ9.1B,9.1V,8.57-		L804	3301-000287	CORE-FERRITEBEAD;AA,3.5X1.0X6.	
D704	0403-000563	DIODE-ZENER;MTZ9.1B,9.1V,8.57-		L805	2008-001058	R-FUSIBLE(S);0.18OHM,10%,1W,AF	
D802	0402-000540	DIODE-RECTIFIER;RU20A,600V,1.5		L809	2901-000299	FILTER-EMIBEAD;BL02RN2-R65T2DB	
D803	0402-001105	DIODE-RECTIFIER;ERB43-04SV1,40		L810	AA27-10002Y	COIL-CHOKE;-;100UH,K,10,700MA,	
D805	0402-000213	DIODE-RECTIFIER;ERB12-06,600V,		L811	2901-000299	FILTER-EMIBEAD;BL02RN2-R65T2DB	
D806	0401-000005	DIODE;1N4148TAPG		L901	2701-000197	INDUCTOR-AXIAL;5.6UH,10%,2.5X3	
D807	0402-000213	DIODE-RECTIFIER;ERB12-06,600V,		L902	2701-000114	INDUCTOR-AXIAL;10UH,10%,2.5X3.	
D808	0402-000213	DIODE-RECTIFIER;ERB12-06,600V,		L910	2901-000299	FILTER-EMIBEAD;BL02RN2-R65T2DB	
D809	0402-000213	DIODE-RECTIFIER;ERB12-06,600V,		L999	2701-000115	INDUCTOR-AXIAL;10UH,10%,2.8X7M	
D810	0402-000213	DIODE-RECTIFIER;ERB12-06,600V,		LD901	AA96-30007A	ASSY-LED,GUIDE;AA61-50055A,DL-G7GA	
D814	0402-000534	DIODE-RECTIFIER;RG10V,400V,1.5		NT801	1404-000187	THERMISTOR;KL11L4R7-3.5A4.7OHM	
D855	0403-000296	DIODE-ZENER;EQA02-06A/MTZ5.6B(		△ P801A	1404-000208	POSISTOR;PTH631D02BF7ROM140TDE	
D856	0403-000296	DIODE-ZENER;EQA02-06A/MTZ5.6B(		PC802	0604-001038	PHOTOCOUPLER;TR,130-260%,200MW	
D901	0401-000005	DIODE;1N4148TAPG		Q151	0501-000436	TR-SMALLSIGNAL;KTC3197,NPN,30V	
D902	0403-000296	DIODE-ZENER;EQA02-06A/MTZ5.6B(		Q201	0501-002183	TR-SMALL SIG;KTC9014,NPN,625MW,TO-92	
D903	0401-000005	DIODE;1N4148TAPG		Q202	0501-002183	TR-SMALL SIG;KTC9014,NPN,625MW,TO-92	
D904	0401-000005	DIODE;1N4148TAPG		Q203	0501-002183	TR-SMALL SIG;KTC9014,NPN,625MW,TO-92	
D905	0403-000296	DIODE-ZENER;EQA02-06A/MTZ5.6B(		Q401	0502-001115	TR-POWER;KSC5386,NPN,50W,TO-3PF,ST,8	
D906	0403-000296	DIODE-ZENER;EQA02-06A/MTZ5.6B(		Q402	0501-000369	TRANSISTOR;KSC2331-Y(TAPG)	
DU01	0402-000132	DIODE-RECTIFIER;1N4004,400V,1A,DO-41		Q501	0501-002014	TR-SMALLSIGNAL;KSC2330-RNPN	
DX01	0403-000297	DIODE-ZENER;EQA02-06D/MTZ6.2B(		Q502	0501-002014	TR-SMALLSIGNAL;KSC2330-RNPN	
DX02	0402-000132	DIODE-RECTIFIER;1N4004,400V,1A,DO-41		Q503	0501-002014	TR-SMALLSIGNAL;KSC2330-RNPN	
DZ801	1405-000152	VARISTOR;560V,2500A,14X8.5MM,T		Q601	0502-000242	TR-POWER;KSA614,PNP,-80V,-55V,	
DZ802	0403-000300	DIODE-ZENER;MTZ8.2B,7.78-.19V,		Q602	0501-002183	TR-SMALL SIG;KTC9014,NPN,625MW,TO-92	
DZ803	0403-000296	DIODE-ZENER;EQA02-06A/MTZ5.6B(		Q801	1203-001217	IC-POST,ADJUSTREG;431,TO-92,3P,4.58	
DZ806	0403-000294	DIODE-ZENER;MTZ4.7B,4.55-4.80V,500MV		Q801	1203-001217	IC-POST,ADJUSTREG;431,TO-92,3P,4.58	
DZ807	0403-000297	DIODE-ZENER;EQA02-06D/MTZ6.2B(		Q902	0501-002183	TR-SMALL SIG;KTC9014,NPN,625MW,TO-92	

Loc	Part-No	Description & Specification	Remarks
Q903	0501-002183	TR-SMALL SIG;KTC9014,NPN,625MW,TO-92	
QU01	0504-000123	TR-DIGITAL;KSR1010,NPN,300MW,1	
QU10	0501-000369	TRANSISTOR;KSC2331-Y(TAPG)	
QX01	0501-000283	TRANSISTOR;KSA539-Y(TAPG)/YTAM	
R101	2001-000290	R-CARBON;10KOHM,5%,1/8W,AA,TP,	
R102	2004-001301	R-METAL;82KOHM,5%,1/8W,AA,TP,1	
R104	2003-001017	R-METALOXIDE(S);220OHM,5%,2W,A	
R105	2003-001017	R-METALOXIDE(S);220OHM,5%,2W,A	
R152	2001-000221	R-CARBON;1.2KOHM,5%,1/8W,AA,TP	
R153	2001-000734	R-CARBON;4.7KOHM,5%,1/8W,AA,TP	
R154	2001-000780	R-CARBON;470OHM,5%,1/8W,AA,TP,	
R155	2001-000281	R-CARBON;100OHM,5%,1/8W,AA,TP,	
R156	2001-000793	R-CARBON;470OHM,5%,1/8W,AA,TP,1	
R157	2001-000568	R-CARBON;220OHM,5%,1/8W,AA,TP,1	
R158	2001-000007	R-CARBON;3KOHM,5%,1/8W,AA,TP,1	
R159	2001-000007	R-CARBON;3KOHM,5%,1/8W,AA,TP,1	
R201	2001-000429	R-CARBON;1KOHM,5%,1/8W,AA,TP,1	
R202	2001-000734	R-CARBON;4.7KOHM,5%,1/8W,AA,TP	
R203	2001-000734	R-CARBON;4.7KOHM,5%,1/8W,AA,TP	
R204	2001-000995	R-CARBON;820OHM,5%,1/8W,AA,TP,	
R205	2001-000995	R-CARBON;820OHM,5%,1/8W,AA,TP,	
R206	2001-000995	R-CARBON;820OHM,5%,1/8W,AA,TP,	
R207	2001-001111	R-CARBON(S);240OHM,5%,1/2W,AA,	
R208	2001-000515	R-CARBON;220OHM,5%,1/8W,AA,TP,	
R209	2001-000515	R-CARBON;220OHM,5%,1/8W,AA,TP,	
R210	2001-000515	R-CARBON;220OHM,5%,1/8W,AA,TP,	
R211	2001-000281	R-CARBON;100OHM,5%,1/8W,AA,TP,	
R212	2001-000281	R-CARBON;100OHM,5%,1/8W,AA,TP,	
R213	2001-000837	R-CARBON;51KOHM,5%,1/8W,AA,TP,	
R214	2001-000290	R-CARBON;10KOHM,5%,1/8W,AA,TP,	
R215	2001-000331	R-CARBON;12KOHM,5%,1/8W,AA,TP,	
R218	2001-000591	R-CARBON;3.3KOHM,5%,1/8W,AA,TP	
R219	2001-000674	R-CARBON;360OHM,5%,1/8W,AA,TP,	
R222	2001-000773	R-CARBON;470KOHM,5%,1/8W,AA,TP	
R223	2001-000780	R-CARBON;470OHM,5%,1/8W,AA,TP,	
R226	2001-000397	R-CARBON;180KOHM,5%,1/8W,AA,TP	
R227	2001-000508	R-CARBON;220KOHM,5%,1/8W,AA,TP	
R228	2001-000258	R-CARBON;1.8KOHM,5%,1/8W,AA,TP	
R229	2001-000258	R-CARBON;1.8KOHM,5%,1/8W,AA,TP	
R230	2001-000591	R-CARBON;3.3KOHM,5%,1/8W,AA,TP	
R231	2001-000660	R-CARBON;33KOHM,5%,1/8W,AA,TP,	
R233	2004-001234	R-METAL;75KOHM,5%,1/8W,AA,TP,1	
R234	2001-000405	R-CARBON;180OHM,5%,1/8W,AA,TP,	
R235	2001-000273	R-CARBON;100KOHM,5%,1/8W,AA,TP	
R236	2001-000548	R-CARBON;270KOHM,5%,1/8W,AA,TP	
R237	2001-000290	R-CARBON;10KOHM,5%,1/8W,AA,TP,	
R239	2004-001213	R-METAL;7.5KOHM,5%,1/8W,AA,TP,	
R240	2001-000577	R-CARBON;2KOHM,5%,1/8W,AA,TP,1	
R241	2001-000429	R-CARBON;1KOHM,5%,1/8W,AA,TP,1	
R242	2001-000221	R-CARBON;1.2KOHM,5%,1/8W,AA,TP	
R251	2001-000591	R-CARBON;3.3KOHM,5%,1/8W,AA,TP	
R252	2001-000591	R-CARBON;3.3KOHM,5%,1/8W,AA,TP	
R253	2001-000591	R-CARBON;3.3KOHM,5%,1/8W,AA,TP	
R257	2008-000252	R-FUSIBLE(S);0.47OHM,10%,1/2W,	
R301	2001-000429	R-CARBON;1KOHM,5%,1/8W,AA,TP,1	
R302	2001-000003	R-CARBON;330OHM,5%,1/8W,AA,TP,	
R303	2001-000864	R-CARBON;56KOHM,5%,1/8W,AA,TP,	
R304	2003-001036	R-METALOXIDE(S);3.3OHM,5%,2W,A	
R305	2001-000660	R-CARBON;33KOHM,5%,1/8W,AA,TP,	
R306	2004-001301	R-METAL;82KOHM,5%,1/8W,AA,TP,1	
R307	2001-000679	R-CARBON;36KOHM,5%,1/8W,AA,TP,	
R308	2001-000633	R-CARBON;30KOHM,5%,1/8W,AA,TP,	
R309	2003-000649	R-METALOXIDE(S);330OHM,5%,1W,A	

Loc	Part-No	Description & Specification	Remarks
R401	2001-000780	R-CARBON;470OHM,5%,1/8W,AA,TP,	
R402	2001-000515	R-CARBON;220OHM,5%,1/8W,AA,TP,	
R403	2001-001114	R-CARBON(S);270OHM,5%,1/2W,AA,	
R404	2001-000020	R-CARBON(S);220OHM,5%,1/2W,AA,T	
R405	2003-000540	R-METALOXIDE(S);1KOHM,5%,2W,AD	
R406	2008-001069	R-FUSIBLE(S);300OHM,5%,2W,AA,TP	
R407	2003-000994	R-METALOXIDE(S);33KOHM,5%,2W,AF	
R408	2004-001390	R-METAL(S);1KOHM,2%,1/2W,AA,TP	
R409	2008-000253	R-FUSIBLE(S);0.47OHM,5%,1W,AF,	
R410	2008-000206	R-FUSIBLE(S);1OHM,5%,1/2W,AF,T	
R411	2004-001377	R-METAL(S);120KOHM,1%,1/2W,AA,TP	
R412	2004-001377	R-METAL(S);120KOHM,1%,1/2W,AA,TP	
R413	2001-003019	R-CARBON(S);0.39OHM,10%,1/2W,A	
R415	2003-000784	R-METAL OXIDE(S);7.5KOHM,5%,2W,AF	
R416	2001-000022	R-CARBON(S);330OHM,5%,1/2W,AA,T	
R417	2001-001410	R-CARBON;RD1/2T(S)430-J43R	
R444	2001-001099	R-CARBON/METALFILM;RD1/2T2.7K-	
R501	2001-000007	R-CARBON;3KOHM,5%,1/8W,AA,TP,1	
R502	2001-000007	R-CARBON;3KOHM,5%,1/8W,AA,TP,1	
R503	2001-000007	R-CARBON;3KOHM,5%,1/8W,AA,TP,1	
R504	2003-000511	R-METALOXIDE(S);15KOHM,5%,2W,A	
R505	2003-000511	R-METALOXIDE(S);15KOHM,5%,2W,A	
R506	2003-000511	R-METALOXIDE(S);15KOHM,5%,2W,A	
R507	2001-000281	R-CARBON;100OHM,5%,1/8W,AA,TP,	
R508	2001-000281	R-CARBON;100OHM,5%,1/8W,AA,TP,	
R509	2001-000281	R-CARBON;100OHM,5%,1/8W,AA,TP,	
R510	2001-000628	R-CARBON;300OHM,5%,1/8W,AA,TP,	
R511	2001-000628	R-CARBON;300OHM,5%,1/8W,AA,TP,	
R512	2001-000628	R-CARBON;300OHM,5%,1/8W,AA,TP,	
R513	2001-000666	R-CARBON;33OHM,5%,1/8W,AA,TP,1	
R514	2001-000666	R-CARBON;33OHM,5%,1/8W,AA,TP,1	
R515	2002-001006	R-COMPOSITION;RC1/2T4.7KK/ERC-	
R517	2001-000666	R-CARBON;33OHM,5%,1/8W,AA,TP,1	
R518	2008-000206	R-FUSIBLE(S);1OHM,5%,1/2W,AF,T	
R518A	2008-000252	R-FUSIBLE(S);0.47OHM,10%,1/2W,	
R599	2008-000226	R-FUSIBLE;220OHM,5%,1/2W,AA,TP	
R602	2001-000786	R-CARBON;47KOHM,5%,1/8W,AA,TP,	
R603	2001-000786	R-CARBON;47KOHM,5%,1/8W,AA,TP,	
R604	2001-000449	R-CARBON;2.2KOHM,5%,1/8W,AA,TP	
R605	2001-000290	R-CARBON;10KOHM,5%,1/8W,AA,TP,	
R610	2001-000577	R-CARBON;2KOHM,5%,1/8W,AA,TP,1	
R611	2001-000429	R-CARBON;1KOHM,5%,1/8W,AA,TP,1	
R614	2001-001152	R-CARBON/METALFILM;RD1/2T47K-J	
R615	2001-001088	R-CARBON(S);1KOHM,5%,1/2W,AA,TP	
R701	2001-001187	R-CARBON(S);75OHM,5%,1/2W,AA,T	
R702	2001-000085	R-CARBON(S);100KOHM,5%,1/2W,AA	
R703	2001-000734	R-CARBON;4.7KOHM,5%,1/8W,AA,TP	
R801	2001-001150	R-CARBON(S);470KOHM,5%,1/2W,AA	
R803	2003-002119	R-METAL OXIDE(S);36KOHM,5%,1W,AF	
R805	2002-001013	R-COMPOSITION;4.7MOHM,10%,1/2W,AA	
R806	2001-001071	R-CARBON(S);12KOHM,5%,1/2W,AA,	
R807	2001-001071	R-CARBON(S);12KOHM,5%,1/2W,AA,	
R808	2001-001150	R-CARBON(S);470KOHM,5%,1/2W,AA	
R809	2008-000205	R-FUSIBLE(S);10OHM,5%,1/2W,AF,	
R811	2001-001170	R-CARBON(S);6.8OHM,5%,1/2W,AB,	
R812	2008-000252	R-FUSIBLE(S);0.47OHM,10%,1/2W,	
R817	2001-001111	R-CARBON(S);240OHM,5%,1/2W,AA,	
R818	2001-001111	R-CARBON(S);240OHM,5%,1/2W,AA,	
R819	2008-001011	R-FUSIBLE(S);0.18OHM,10%,2W,AF	
R821	2004-004089	R-METAL;123KOHM,1%,1/2W,AA,TP	
R822	2001-000022	R-CARBON(S);33OHM,5%,1/2W,AA,T	
R823	2001-001178	R-CARBON(S);680OHM,5%,1/2W,AA,	
R824	2001-001125	R-CARBON(S);300KOHM,5%,1/2W,AA	

Loc	Part-No	Description & Specification	Remarks
R852	2001-001088	R-CARBON(S);1KOHM,5%,1/2W,AA,TP	
R853	2001-001054	R-CARBON(S);1.6KOHM,5%,1/2W,AB,TP	
R854	2004-001983	R-METAL;2.49KOHM,1%,1/2W,AA,TP	
R901	2001-000793	R-CARBON;470OHM,5%,1/8W,AA,TP,1	
R902	2001-000429	R-CARBON;1KOHM,5%,1/8W,AA,TP,1	
R903	2001-000281	R-CARBON;100OHM,5%,1/8W,AA,TP,	
R904	2001-000281	R-CARBON;100OHM,5%,1/8W,AA,TP,	
R905	2001-000429	R-CARBON;1KOHM,5%,1/8W,AA,TP,1	
R906	2001-000472	R-CARBON;2.7KOHM,5%,1/8W,AA,TP	
R907	2001-000995	R-CARBON;820OHM,5%,1/8W,AA,TP,	
R908	2001-000232	R-CARBON;1.3KOHM,5%,1/8W,AA,TP	
R910	2001-000995	R-CARBON;820OHM,5%,1/8W,AA,TP,	
R911	2001-000290	R-CARBON;10KOHM,5%,1/8W,AA,TP,	
R913	2004-001193	R-METAL;680OHM,5%,1/8W,AA,TP,1	
R914	2001-000577	R-CARBON;2KOHM,5%,1/8W,AA,TP,1	
R915	2001-000734	R-CARBON;4.7KOHM,5%,1/8W,AA,TP	
R916	2004-001213	R-METAL;7.5KOHM,5%,1/8W,AA,TP,	
R917	2004-001213	R-METAL;7.5KOHM,5%,1/8W,AA,TP,	
R918	2004-001213	R-METAL;7.5KOHM,5%,1/8W,AA,TP,	
R919	2004-001258	R-METAL;8.2KOHM,5%,1/8W,AA,TP,	
R920	2001-000522	R-CARBON;22KOHM,5%,1/8W,AA,TP,	
R921	2001-000290	R-CARBON;10KOHM,5%,1/8W,AA,TP,	
R922	2001-000281	R-CARBON;100OHM,5%,1/8W,AA,TP,	
R923	2001-000281	R-CARBON;100OHM,5%,1/8W,AA,TP,	
R924	2001-000449	R-CARBON;2.2KOHM,5%,1/8W,AA,TP	
R925	2001-000449	R-CARBON;2.2KOHM,5%,1/8W,AA,TP	
R926	2001-000008	R-CARBON;15KOHM,5%,1/8W,AA,TP,	
R927	2001-000290	R-CARBON;10KOHM,5%,1/8W,AA,TP,	
R928	2004-001104	R-METAL;56KOHM,5%,1/8W,AA,TP,1	
R929	2001-000232	R-CARBON;1.3KOHM,5%,1/8W,AA,TP	
R930	2001-000290	R-CARBON;10KOHM,5%,1/8W,AA,TP,	
R931	2001-000429	R-CARBON;1KOHM,5%,1/8W,AA,TP,1	
R932	2001-000290	R-CARBON;10KOHM,5%,1/8W,AA,TP,	
R933	2001-000290	R-CARBON;10KOHM,5%,1/8W,AA,TP,	
R934	0401-000005	DIODE;1N4148TAPG	
R937	2001-000290	R-CARBON;10KOHM,5%,1/8W,AA,TP,	
R940	2001-000708	R-CARBON;39OHM,5%,1/8W,AA,TP,1.8X3	
R951	2001-000734	R-CARBON;4.7KOHM,5%,1/8W,AA,TP	
R952	2001-000472	R-CARBON;2.7KOHM,5%,1/8W,AA,TP	
R988	2001-000508	R-CARBON;220KOHM,5%,1/8W,AA,TP	
RLU01	3501-001040	RELAYPOWER;12VDC,500MW,10A,1FO	
RM01	2002-001006	R-COMPOSITION;RC1/2T4.7KK/ERC-	
RM02	2002-001006	R-COMPOSITION;RC1/2T4.7KK/ERC-	
RM901	AA59-60001U	MODULE-REMOCON;-,ORC-50VF,38KH	
RU01	2002-001010	R-COMPOSITION;1.8MOHM,10%,1/2W,AA	
RU02	2001-000780	R-CARBON;470OHM,5%,1/8W,AA,TP,	
RU06	2001-000397	R-CARBON;180KOHM,5%,1/8W,AA,TP	
RU07	2001-001062	R-CARBON(S);10MOHM,5%,1/2W,AA,	
RU10	2001-000780	R-CARBON;470OHM,5%,1/8W,AA,TP,	
RU11	2001-000290	R-CARBON;10KOHM,5%,1/8W,AA,TP,	
RU12	2001-000734	R-CARBON;4.7KOHM,5%,1/8W,AA,TP	
RU13	2001-000022	R-CARBON(S);33OHM,5%,1/2W,AA,T	
RX01	2001-000397	R-CARBON;180KOHM,5%,1/8W,AA,TP	
RX02	2001-000411	R-CARBON;18KOHM,5%,1/8W,AA,TP,	
RX03	2004-001987	R-METAL;4.3KOHM,1%,1/2W,AA,TP,	
RX04	2004-001376	R-METAL(S);11KOHM,1%,1/2W,AA,T	
RX05	2001-000522	R-CARBON;22KOHM,5%,1/8W,AA,TP,	
RX08	2001-000837	R-CARBON;51KOHM,5%,1/8W,AA,TP,	
SF101	2904-000304	FILTER-SAW;M1859MNTSC/USAVIFST	
SW901	3404-000244	SWITCH-TACT;15V,20MA,90-170GF,	
SW902	3404-000244	SWITCH-TACT;15V,20MA,90-170GF,	
SW903	3404-000244	SWITCH-TACT;15V,20MA,90-170GF,	
SW904	3404-000244	SWITCH-TACT;15V,20MA,90-170GF,	

Loc	Part-No	Description & Specification	Remarks
SW905	3404-000244	SWITCH-TACT;15V,20MA,90-170GF,	
SW906	3404-000295	SW-TACT,V;KPT1122R1KEYSTT=0.3M	
T401	AA26-50001B	HORIZ.DRIVE;-;7.1MH,102UH,10-2	
T444	L7000-0032	TRANS-FLYBACK;FSV14A00114INCH	LOCAL
T801	AA26-20007L	TRANS-SWITCHING;120V,125/12.5,UL/CSA	
TU01	AA40-10005T	TUNER-F/S;TECC1070PG26A(S),NTS	
V999	3704-001089	SOCKET CRT;9P,22.5PI,12PI,SN,13"	
X201	2801-000226	CRYSTAL-UNIT;3.579545MHZ,20PPM	
X202	2802-000172	RESONATOR-CERAMIC;503.5KHZ,0.5	
X901*	2801-003224	CRYSTAL-UNIT;32.768KHZ,20PPM,2	
Z201	2903-001022	FILTER-CERAMIC;TR,4.5MHZ	
Z601	2903-000135	FILTER-CERAMIC;BP,4.5MHZ	
<b>ASSY- POWER, CORD</b>			
	* L3000-0006	POWERCORDEP2;L3000-0002,2.4M,7	LOCAL
	H-COR AA61-20070A	HOLDER-CORD;PP,VO,BLK,KE-0002	
	P-COR L3000-0002	POWER-CORD,AC;MSP-10W/SPT-2/F,BLK	LOCAL
<b>ASSY- ACCESSORY</b>			
	C/PRO L6000-0036-00	CARD-PRODUCT,REGISTR;W/P120(G)	LOCAL
	I/B AA68-11250A	INSTRCTION-BOOK;K15A,ENG,TM59	
	MACH L2759-115-050	TRANS-MATCHING;R300-R75CSA	LOCAL
	ROD/A L7000-0132	ANT-ROD VHF;4SDODIPLE 850MM BRN	LOCAL
	I/B AA68-11252A	INSTRCTION-BOOK;K15A,FRENCH TM59	
	I/B AA68-11252B	INSTRCTION-BOOK;K15A,ENG-CAD,TM59	
<b>ASSY- CRT</b>			
	C-Y AA27-60001L	MAGNET-CONVERGENCE;-;NY-225,22	
	SPACE AA63-60028A	SPACER-DY;-;NEOPRENE;-;BLK,V0W	
	CRT D2019-400-083	CRT-COLOR;-;A34KQV42X,+380MG,1	LOCAL
	D-Y L7000-0005	DEFL-YOKE(SEMSA);DSE-1422FL	LOCAL
<b>REMOCON</b>			
	* AA59-10101M	REMOCON; DP, TM59,-,-, AA59-10095T	
<b>ASSY- CABINET</b>			
	* AA92-30161H	ASSY-CABINET,FRONT;CT-3337,VO,BLK	
	CB+CF 6002-000514	SCREW-TAPPING;RH,+;2,M4,L15,ZP	
	KC+CF 6002-000514	SCREW-TAPPING;RH,+;2,M4,L15,ZP	
	D-COIL AA27-20003U	DEGAUSSING-COIL;14",16.4OHM,75T	
	CRT+C AA60-10050C	SCREW-ASSY;WC,HH,+;L30,SWRCH8,	
	SPRIN AA61-60003J	SPRING-CS;-;SUS304,0.5,OD6.H	
	BCFEL AA63-60001U	SPACER-FELT;-;FELT,T0.5,-;150X	
	SPFSF AA63-60001Z	SPACER-FELT;-;FELT,T1.0,-;35X8	
	KNOP AA64-10153B	KNOB-POWER;-;AB,HB,BLK,-;3338	
	WIND AA64-40057A	WINDOW-REMOCON;-;ABS,HB,-;33	
	INLED AA64-40189A	INDICATOR-LED;-;ACRYL,-;33	
	BADGf AA64-70009F	BADGE-BRAND;-;AL,-;L40,SILVER,	
	B/C L2001-0136-00	CABINET-BACK;HIPSVOBLACKCT-337	LOCAL
	F/C L2001-0221-02	CABINET-FRONT;HIPS VO BLK PA100	LOCAL
	BOSS L3113-0003-01	BOSS-CABINET;HIPSVOBLKCT-5073	LOCAL
	KNOC(L4082-0215-00	KNOB-CONTROL;ABSHBLKCT-3338	LOCAL
<b>ASSY- SPEAKER</b>			
	* AA96-10014A	ASSY-SPEAKER;8OHM,2.5W,3(2),F/200	
	SPK 3001-000281	SPEAKER-GENERAL;2.5W8OHM77MM77	
	L/SPK L3058-003-008	LEAD-CONNECTOR,ASSY;-;67096-00,200MM	LOCAL

	Loc No.	TXH1370/UCX, CCX		TXH1970/UCX, CCX		Remarks
		Code No.	Description & Specification	Code No.	Description & Specification	
ASSY-MAIN	C301	2301-000226	C-FILM,PEF;27NF,5%,100V,7.3X4X	2301-000223	C-FILM,PEF;22NF,5%,100V,7.2X4.	
	C305	2305-000427	C-FILM,MPEF;47NF,5%,100V,7.5X1	2301-000310	C-FILM,PEF;68NF,5%,50V,8.0X8.5	
	C402	2306-000253	C-FILM;CF922P1.6KVT722-JBUP	2306-000355	C-FILM;CF922P1.6KVT742-JBUP	
	C404	2306-000004	C-FILM,MPPF;330NF,5%,250V,TP,2	2306-000193	C-FILM,MPPF;360NF,5%,200V,-.7.	
	CONN	L6434-0084-030	CONNECTORASSY;B8XB8300M1007#26	L6434-0084-000	CONNECTORASSY;B8XB8400MM1007#2	
	D-COIL	AA27-20003U	DEGAUSSING-COIL;14",16.4OHM,75	LA27-20003F	COIL-DEGAUSSING;20",6.2,30T,23	
	D703	X		0403-000563	DIODE-ZENER;MTZ9.1B,9.1V,8.57-	
	R204	2001-000995	R-CARBON;820OHM,5%,1/8W,AA,TP,	2001-000221	R-CARBON;1.2KOHM,5%,1/8W,AA,TP	
	R205	2001-000995	R-CARBON;820OHM,5%,1/8W,AA,TP,	2001-000221	R-CARBON;1.2KOHM,5%,1/8W,AA,TP	
	R206	2001-000995	R-CARBON;820OHM,5%,1/8W,AA,TP,	2001-000221	R-CARBON;1.2KOHM,5%,1/8W,AA,TP	
	R214	2001-000290	R-CARBON;10KOHM,5%,1/8W,AA,TP,	2001-000331	R-CARBON;12KOHM,5%,1/8W,AA,TP,	
	R226	2001-000397	R-CARBON;180KOHM,5%,1/8W,AA,TP	2001-000508	R-CARBON;220KOHM,5%,1/8W,AA,TP	
	R303	X		2004-001990	R-METAL;62KOHM,5%,1/8W,AA,TP,1	
	R304	2003-001036	R-METALOXIDE(S);3.3OHM,5%,2W,A	2003-000436	R-METALOXIDE(S);1.5OHM,5%,1W,A	
	R305	2001-000660	R-CARBON;33KOHM,5%,1/8W,AA,TP,	2004-001213	R-METAL;7.5KOHM,5%,1/8W,AA,TP,	
	R306	2004-001301	R-METAL;82KOHM,5%,1/8W,AA,TP,1	2001-000766	R-CARBON;43KOHM,5%,1/8W,AA,TP,	
	R307	2001-000679	R-CARBON;36KOHM,5%,1/8W,AA,TP,	X		
	R308	2001-000633	R-CARBON;30KOHM,5%,1/8W,AA,TP,	2004-001990	R-METAL;62KOHM,5%,1/8W,AA,TP,1	
	R309	2003-000649	R-METALOXIDE(S);330OHM,5%,1W,A	2003-001043	R-METALOXIDE(S);510OHM,5%,1W,A	
	R404	2001-000020	R-CARBON(S);220OHM,5%,1/2W,AA,T	2001-001136	R-CARBON(S);36OHM,5%,1/2W,AA,T	
	R411	2004-001377	R-METAL(S);120KOHM,1%,1/2W,AA,	2004-001373	R-METAL,FILM;RM1/2T100K-F	
	R412	2004-001377	R-METAL(S);120KOHM,1%,1/2W,AA,	2004-001373	R-METAL,FILM;RM1/2T100K-F	
	R413	2001-003019	R-CARBON(S);0.39OHM,10%,1/2W,A	X		
	R518	2008-000206	R-FUSIBLE(S);1OHM,5%,1/2W,AF,T	2008-000266	R-FUSIBLE(S);1OHM,5%,2W,AF,TP,	
	R518A	2008-000252	R-FUSIBLE(S);0.47OHM,10%,1/2W,	X		
	RE01	X		2001-000117	R-CARBON(S);68OHM,5%,1/2W,AB,T	
	RE02	X		2001-000117	R-CARBON(S);68OHM,5%,1/2W,AB,T	
	RU10	2004-001193	R-METAL;680OHM,5%,1/8W,AA,TP,1	2001-000780	R-CARBON;470OHM,5%,1/8W,AA,TP,	
	T444	L7000-0026	TRANS-FLYBACK(SEM);FSV20A001	L7000-0032	TRANS-FLYBACK;FSV14A00114INCH	
	V999	3704-001089	SOCKET CRT;9P,22.5PI,12PI,SN,1	3704-001090	SOCKET-CRT;9P,15.24PI,26.5PI,S	
SPEAKER	ASSY	AA96-10014A	ASSY-SPEAKER;8OHM,2.5W,3(2),F/	AA96-10141A	ASSY-SPEAKER;3W,8OHMX1,700	
	SPK	3001-000281	SPEAKER-GENERAL;2.5W8OHM77MM77	3001-000191	SPEAKER;3W,8OHM,90DB,180HZ	
	SPK/L	L3058-003-008	LEAD-CONNECTOR,ASSY;-67096-00,	AA39-20501C	LEAD CONNECTOR-ASSY;-67096-00	
ASSY-CRT	CRT	D2019-400-083	CRT-COLOR;-A34KQV42X,+380MG,1	AA03-10029W	CRT;A48KRD82X(H),+380MG,SEMI-T	
	D-Y	L7000-0005	DEFL-YOKE(SEMSA);DSE-1422FL	AA27-50004W	D-Y;20",HI-TRON CRT	
	C-Y	AA27-60001L	MAGNET-CONVERGENCE;-NY-225,22	AA27-60001D	MAGNET-CONVERGENCE;-JH-291-(J)	
ACCESSORY	I/B	AA68-11250A	INSTRUCTION-BOOK;K15A,ENG,TM59,	AA68-11250A	INSTRUCTION-BOOK;K15A,ENG,TM59,	SEA Only
	MACH/T	L2759-115-040	TRANS-MATCHING;R300-R75(C.R-MU	L2759-115-040	TRANS-MATCHING;R300-R75(C.R-MU	
	I/B	AA68-11252A	INSTRUCTION-BOOK;K15A,FRENCH,TM	AA68-11252A	INSTRUCTION-BOOK;K15A,FRENCH,TM	SECA Only
	I/B	AA68-11252B	INSTRUCTION-BOOK;K15A,ENG-CAN,T	AA68-11252B	INSTRUCTION-BOOK;K15A,ENG-CAN,T	
	MACH/T	L2759-115-050	TRANS-MATCHING;R300-R75CSA	L2759-115-050	TRANS-MATCHING;R300-R75CSA	
ROD/A	L7000-0132	ANT-RODVHF;4SDODIPOLE850MMBRN	L7000-0132	ANT-RODVHF;4SDODIPOLE850MMBRN		

	Loc No.	TXH1370/UCX, CCX		TXH1970/UCX, CCX		Remarks
		Code No.	Description & Specification	Code No.	Description & Specification	
CABINET	ASSY	AA92-30161H	ASSY-CABINET,FRONT,CT-3337,VO,	AA92-30161Z	ASSY-CABINET,FRONT,CT-5037,VO,	
	CRT+CF	AA60-10050C	SCREW-ASSY;WC,HH,+,L30,SWRCH8,	AA60-10050D	SCREW-ASSY;WC,HH,+,M5,L35,SWRC	
	STOPP	X		AA61-40007A	STOPPER-PCB;-;ABSHB,-,-,NTR,50	
	SPA	AA63-60001Z	SPACER-FELT;-;FELT,T1.0,-,35X8	X		
	K-POW	AA64-10153B	KNOB-POWER;-;AB,HB,BLK,-,3338	AA64-10187B	KNOB-POWER;-;ABS,HB,BLK,-,5038	
	WIN-RE	AA64-40057A	WINDOW-REMOCON;-;ABS,HB,-,-,33	AA64-40085A	WINDOW-REMOCON;-;ABS,HB,-,-,NO-S	
	I-LED	AA64-40189A	INDICATOR-LED;-;ACRYL,-,-,33	AA64-40188A	INDICATOR-LED;-;ACRYL,-,-,50	
	BACK	L2001-0136-000	CABINET-BACK;HIPVOBLACKCT-337	L2001-0130-000	CABINET-BACK;HIPVOBLACKCT-507	
	FRONT	L2001-0221-021	CABINET-FRONT;HIPS VO BLK PA10	L2001-0222-021	CABINET-FRONT;HIPS VO BLK PA10	
	K-CON	L4082-0215-000	KNOB-CONTROL;ABSHBBLKCT-3338	L4082-0337-000	KNOB-CONTROLCT-5037;ABS,HB,BLK	
BADGE	AA64-70009F	BADGE-BRAND;-;AL,-,L40,SILVER,	AA64-70015A	BADGE-BRAND;-;AL,-,L45,SILVER,		

7-3. TXH1372/UCX, TXH1372/CCX

Loc	Part-No	Description & Specification	Remarks	Loc	Part-No	Description & Specification	Remarks
<b>ASSY- PCB,MAIN</b>							
	* AA94-10133F	ASSY-PCB,MAIN(COM);K15A(0),SV,13",MONO,		C407	2401-001429	C-ELECTROLYTIC;CE04WTAPG50V470	
C101	2202-000127	C-CERAMIC,MLC-AXIAL;10NF,+80-2		C408	2201-000556	C-CERAMIC,DISC;470PF,10%,500V,	
C102	2401-000660	C-ELECTROLYTIC;CE04WTAPG50V2.2		C409	2401-001998	C-AL;1000UF,20%,25V,GP,TP,10X20	
C104	2202-000127	C-CERAMIC,MLC-AXIAL;10NF,+80-2		C410	2301-000224	C-FILM,PEF;22NF,5%,50V,7.4X3.9	
C108	2401-000480	C-AL;10UF,20%,50V,GP,5X11MM,5M		C411	2201-000556	C-CERAMIC,DISC;470PF,10%,500V,	
C110	2401-000808	C-AL;220UF,20%,16V,GP,8X11MM,5		C412	2401-000927	C-AL;22UF,20%,250V,GP,13X20MM,	
C151	2202-000127	C-CERAMIC,MLC-AXIAL;10NF,+80-2		C413	2401-000560	C-AL;1UF,20%,160V,GP,GT,6.3,11MM	
C153	2202-000127	C-CERAMIC,MLC-AXIAL;10NF,+80-2		C444	2201-000441	C-CERAMIC,DISC;3.3NF,10%,500V,	
C201	2201-000292	C-CERAMIC,DISC;1NF,10%,50V,Y5P		C445	2201-000441	C-CERAMIC,DISC;3.3NF,10%,500V,	
C202	2401-001333	C-ELECTROLYTIC;CE04WTAPG50V0.4		C501	2202-000821	C-CERAMIC,MCL-AXIAL;560PF,10%,50V,Y5P,TP	
C203	2401-001495	C-AL;47UF,20%,16V,GP,5X11MM,5M		C502	2202-000862	C-CERAMIC;CCOASL50VT391-JUP050	
C204	2301-000188	C-FILM,PEF;1NF,5%,100V,10.5X12		C503	2202-000825	C-CERAMIC,MLC-AXIAL;680PF,10%,50V,Y5P,TP	
C205	2401-001333	C-ELECTROLYTIC;CE04WTAPG50V0.4		C505	2201-002063	C-CERAMIC,MCL-AXIAL;10NF,-20,+80%,3KV,Y5	
C206	2305-001011	C-FILM,MPEF;22NF,5%,100V,3.5X12.5X7.5MM,		C601	2401-000962	C-ELECTROLYTIC;CE04WTAPG50V22M-	
C207	2401-001333	C-ELECTROLYTIC;CE04WTAPG50V0.4		C603	2301-000289	C-FILM,PEF;5.6NF,5%,50V,6.5X5.	
C209	2305-000665	C-FILM;CF922N63VT104-J-40/1053		C604	2401-000660	C-ELECTROLYTIC;CE04WTAPG50V2.2	
C210	2305-000665	C-FILM;CF922N63VT104-J-40/1053		C605	2305-000665	C-FILM;CF922N63VT104-J-40/1053	
C211	2305-000665	C-FILM;CF922N63VT104-J-40/1053		C609	2401-000133	C-AL;1000UF,20%,16V,GP,13X20MM	
C212	2201-000982	C-CERAMIC,DISC;10NF,+80-20%,50		C611	2202-000279	C-CERAMIC,MLC-AXIAL;47PF,5%,50	
C213	2201-000193	C-CERAMIC,DISC;10PF,0.25PF,50V		C612	2202-000279	C-CERAMIC,MLC-AXIAL;47PF,5%,50	
C214	2401-000660	C-ELECTROLYTIC;CE04WTAPG50V2.2		C651	2401-000660	C-ELECTROLYTIC;CE04WTAPG50V2.2	
C215	2401-001840	C-AL;100UF,20%,16V,GP,TP,6.3X1		C654	2401-001363	C-AL;470UF,20%,16V,GP,TP,10X12	
C216	2201-000354	C-CERAMIC,DISC;20PF,5%,50V,NPO		C701	2305-000665	C-FILM;CF922N63VT104-J-40/1053	
C218	2301-000181	C-FILM,PEF;18NF,5%,50V,7.1X3.5		C702	2401-000471	C-AL;10UF,20%,50V,BP,6X11MM,5M	
C219	2401-000603	C-AL;1UF,20%,50V,GP,5X11MM,5MM		C703	2202-000183	C-CERAMIC;CKOAX7R16VT222-MEP05	
C220	2401-000480	C-AL;10UF,20%,50V,GP,5X11MM,5M		C705	2202-000183	C-CERAMIC;CKOAX7R16VT222-MEP05	
C221	2401-002462	C-ELECTROLYTIC;CE04WTAPG16V33M		C801	2401-000822	C-ELECTROLYTIC;CE04W200V220U-H	
C222	2305-000665	C-FILM;CF922N63VT104-J-40/1053		C802	2201-000119	C-CERAMIC,DISC;100NF,+80-20%,5	
C225	2401-000480	C-AL;10UF,20%,50V,GP,5X11MM,5M		C803	2303-000163	C-FILM,PPF;2.2NF,5%,800V,-,-,T	
C226	2401-000603	C-AL;1UF,20%,50V,GP,5X11MM,5MM		△ C804	2201-000987	C-CERAMIC,AC;CK45PE400V222-M(T	
C227	2305-000665	C-FILM;CF922N63VT104-J-40/1053		C805	2201-000991	C-CERAMIC,HIC;CK45(T)B2KV561-K	
C229	2202-000127	C-CERAMIC,MLC-AXIAL;10NF,+80-2		C806	2401-000262	C-AL;100UF,20%,160V,GP,16X25MM,5MM,	
C230	2305-000665	C-FILM;CF922N63VT104-J-40/1053		C807	2201-000599	C-CERAMIC,DISC;560PF,10%,500V,	
C231	2401-001495	C-AL;47UF,20%,16V,GP,5X11MM,5M		C808	2301-000223	C-FILM,PEF;22NF,5%,100V,7.2X4.	
C232	2401-001495	C-AL;47UF,20%,16V,GP,5X11MM,5M		C809	2401-001998	C-AL;1000UF,20%,25V,GP,TP,10X20	
C233	2401-000480	C-AL;10UF,20%,50V,GP,5X11MM,5M		C810	2305-000412	C-FILM,MPEF;470NF,5%,63V,-,5MM	
C234	2301-000264	C-FILM,PEF;4.7NF,5%,50V,6.5X5.		C812	2401-001840	C-AL;100UF,20%,16V,GP,TP,6.3X1	
C235	2202-000279	C-CERAMIC,MLC-AXIAL;47PF,5%,50		C813	2401-001495	C-AL;47UF,20%,16V,GP,5X11MM,5M	
C236	2202-000127	C-CERAMIC,MLC-AXIAL;10NF,+80-2		△ C814	2306-000318	C-FILM,MPPF;220NF,20%,250V,-,2	
C237	2202-000154	C-CERAMIC,MLC-AXIAL;150PF,10%,		C816	2401-000480	C-AL;10UF,20%,50V,GP,5X11MM,5M	
C301	2301-000226	C-FILM,PEF;27NF,5%,100V,7.3X4X12.5MM,5MM		C817	2401-001840	C-AL;100UF,20%,16V,GP,TP,6.3X1	
C302	2201-000556	C-CERAMIC,DISC;470PF,10%,500V,		△ C819	2201-000963	C-CERAMIC;CK45Y5U400VACT102-MH	
C303	2202-000127	C-CERAMIC,MLC-AXIAL;10NF,+80-2		C820	2401-001998	C-AL;1000UF,20%,25V,GP,TP,10X20	
C304	2401-000553	C-AL;1UF,10%,50V,GP,5X11MM,5MM		C821	2401-001486	C-AL;47UF,20%,160V,HR,13X20MM,5MM,T	
C305	2305-000427	C-FILM,MPEF;47NF,5%,100V,7.5X1		C822	2301-000192	C-FILM,PEF;1NF,5%,50V,5.3X10MM	
C306	2401-002458	C-AL;1000UF,20%,35V,GP,16X25MM		C823	2201-000370	C-CERAMIC,DISC;220PF,10%,50V,Y5P,TP	
C308	2301-000310	C-FILM,PEF;68NF,5%,50V,8.0X8.5		C851	2401-001571	C-ELECTROLYTIC;CE04WTAPG50V47-	
C309	2401-000360	C-AL;100UF,20%,50V,GP,8X11MM,5		C852	2301-000310	C-FILM,PEF;68NF,5%,50V,8.0X8.5	
C310	2401-000480	C-AL;10UF,20%,50V,GP,5X11MM,5M		C901	2401-001495	C-AL;47UF,20%,16V,GP,5X11MM,5M	
C311	2401-001333	C-ELECTROLYTIC;CE04WTAPG50V0.4		C902	2202-000796	C-CERAMIC,MLC-AXIAL;1NF,10%,50	
C312	2401-000553	C-AL;1UF,10%,50V,GP,5X11MM,5MM		C903	2401-000480	C-AL;10UF,20%,50V,GP,5X11MM,5M	
C313	2305-000470	C-FILM,MPEF;68NF,5%,100V,-,5MM		C904	2202-000796	C-CERAMIC,MLC-AXIAL;1NF,10%,50	
△ C401	2301-000224	C-FILM,PEF;22NF,5%,50V,7.4X3.9		C905	2401-001333	C-ELECTROLYTIC;CE04WTAPG50V0.4	
C402	2306-000253	C-FILM;CF922P1.6KVT722-JBUP		C907	2401-001271	C-ELECTROLYTIC;CE04WTAPG50V4.7	
C403	2201-000991	C-CERAMIC,HIC;CK45(T)B2KV561-K		C908	2201-000193	C-CERAMIC,DISC;10PF,0.25PF,50V	
C404	2306-000004	C-FILM,MPPF;330NF,5%,250V,TP,2		C909	2201-000573	C-CERAMIC,DISC;47PF,5%,50V,NPO	
C405	2305-000704	C-M,POLYESTER;CFS922MTAPG250V1		C911	2401-000480	C-AL;10UF,20%,50V,GP,5X11MM,5M	
C406	2201-000556	C-CERAMIC,DISC;470PF,10%,500V,		C912	2301-000310	C-FILM,PEF;68NF,5%,50V,8.0X8.5	
				C914A	2401-000947	C-AL;22UF,20%,35V,GP,5X11MM,-,	
				C915	2202-000127	C-CERAMIC,MLC-AXIAL;10NF,+80-2	
				CE01	2401-000480	C-AL;10UF,20%,50V,GP,5X11MM,5M	

Loc	Part-No	Description & Specification	Remarks	Loc	Part-No	Description & Specification	Remarks	
CLW/HS	AA65-30003A	CLAMP-WIRE,-,NYLON-66,V0,NTR,V		△	F801	3601-001012	FUSE-FERRULE;250V,4A,SLOW-BLOW	
CN501	L6434-0084-03	CONNECTORASSY;B8XB8300M1007#26	LOCAL	F801A	3602-000114	FUSE-HOLDER;-,-,30MOHM		
CN603	3711-002642	POST-HEADER;67094-003(AUTO)		F801B	3602-000114	FUSE-HOLDER;-,-,30MOHM		
CN701	3711-002646	POST-HEADER;67094-007(AUTO)		GT101A	AA39-20010D	LEAD-CONNECTOR,ASSY;-,-,YFH800-01,S,1P,400		
CN704	L6434-0010-04	CONNECTORASSY;B7XS7150MM1007#2	LOCAL	IC201	1204-001296	IC-CHROMA;KA2163B,DIP,56P,-,PL		
CU02	2305-000665	C-FILM;CF922N63VT104-J-40/1053		IC301	1204-000475	IC;KA2131	H/SINK	
CU10	2401-000832	C-AL;220UF,20%,25V,GP,8X11MM,5		IC601	1201-001298	IC-POWER AMP;4425,SIP,5P,9.5MIL.MONO,450	H/SINK	
CX01	2202-000127	C-CERAMIC,MLC-AXIAL;10NF,+80-2		△	IC801	1203-001493	IC-PEM CONTROLLER;3S0765RF,TO3PF-5L,5,21	H/SINK
CX02	2401-000480	C-AL;10UF,20%,50V,GP,5X11MM,5M		IC802	1203-001532	IC-S/WREGU;IC KA1731		
CX03	2401-000480	C-AL;10UF,20%,50V,GP,5X11MM,5M		IC901	AA13-30020A	IC-MCU;-,-Z8933412PSC-R3757,16BIT,SDIP		
CX04	2201-000556	C-CERAMIC,DISC;470PF,10%,500V,		IC902	1103-001107	IC-EEPROM;24C020,256X8BIT,DIP,8P,300MIL		
D101	0403-000700	DIODE-ZENER;TZP33A,33V,31-35V,		JA601	3722-000143	JACK-PHONE;1P,3.4MM,-,MBAG		
D102	0403-000296	DIODE-ZENER;EQA02-06A/MTZ5.6B(		JA701	3722-000162	JACK-PIN;2P,3.4MM,-,SN		
D103	0402-000132	DIODE-RECTIFIER;1N4004,400V,1A,DO-41		JA703	3722-000184	JACK-RCA;2P,3.4MM,-,AG		
D201	0403-000663	DIODE-ZENER;MTZ3.3B,3.3V,3.32-		JU13	2001-000429	R-CARBON;1KOHM,5%,1/8W,AA,TP,1		
D202	0401-000005	DIODE;1N4148TAPG		L102	2701-000207	INDUCTOR-AXIAL;56UH,5%,2.5X3.4		
D203	0401-000005	DIODE;1N4148TAPG		L152	2701-000326	INDUCTOR AXIAL;560NH,10%,2.3X3.4MM		
D204	0401-000005	DIODE;1N4148TAPG		L201	AA26-10004K	TRANS-IF;-,-7MG,SIF,-,7MM,100PF		
D205	0403-000295	DIODE-ZENER;MTZ5.1B		L202	2701-000207	INDUCTOR-AXIAL;56UH,5%,2.5X3.4		
D206	0401-000005	DIODE;1N4148TAPG		L203	2701-000158	INDUCTOR-AXIAL;22UH,10%,2.5X3.		
D207	0401-000005	DIODE;1N4148TAPG		L204	2701-000207	INDUCTOR-AXIAL;56UH,5%,2.5X3.4		
D208	0402-000132	DIODE-RECTIFIER;1N4004,400V,1A,DO-41		L205*	AA26-10004C	TRANS-IF;-,-7MG,VIF,0.37UH,7MM,		
D210	0403-000563	DIODE-ZENER;MTZ9.1B,9.1V,8.57-		L206	2701-000111	INDUCTOR-AXIAL;100UH,10%,2.5X3		
D299	0403-000654	DIODE-ZENER;MTZ12,12V,11.4-12.		L208	2701-000114	INDUCTOR-AXIAL;10UH,10%,2.5X3.		
D301	0402-001105	DIODE-RECTIFIER;ERB43-04SV1,40		L301	2701-000116	INDUCTOR-AXIAL;10UH,10%,4.2X9.		
D302	0403-000654	DIODE-ZENER;MTZ12,12V,11.4-12.		△	L401	AA27-30001B	COIL-LINEARITY;-,-195UH,QIC1010	
D401	0402-000132	DIODE-RECTIFIER;1N4004,400V,1A,DO-41		L402	2701-001032	INDUCTOR-AXIAL;100UH,10%,5X14MM		
D402	0402-000132	DIODE-RECTIFIER;1N4004,400V,1A,DO-41		L501	2701-000184	INDUCTOR-AXIAL;4.7UH,10%,2.5X3.4MM		
D403	0402-001105	DIODE-RECTIFIER;ERB43-04SV1,40		L502	2701-000184	INDUCTOR-AXIAL;4.7UH,10%,2.5X3.4MM		
D404	0402-001105	DIODE-RECTIFIER;ERB43-04SV1,40		L503	2701-000184	INDUCTOR-AXIAL;4.7UH,10%,2.5X3.4MM		
D405	0402-001105	DIODE-RECTIFIER;ERB43-04SV1,40		L601	2901-000297	FILTER-EMIBEAD;HF70ZBF3.5X5X0.		
D407	0402-001105	DIODE-RECTIFIER;ERB43-04SV1,40		L602	2701-000158	INDUCTOR-AXIAL;22UH,10%,2.5X3.		
D601	0401-000005	DIODE;1N4148TAPG		△	L801	AA29-30001R	FILTER-LINE;-,-6MH,2.0A,-,SQ191	
D701	0403-000563	DIODE-ZENER;MTZ9.1B,9.1V,8.57-		L802	3301-000287	CORE-FERRITEBEAD;AA,3.5X1.0X6.		
D703	0403-000563	DIODE-ZENER;MTZ9.1B,9.1V,8.57-		L803	2901-000297	FILTER-EMIBEAD;HF70ZBF3.5X5X0.		
D704	0403-000563	DIODE-ZENER;MTZ9.1B,9.1V,8.57-		L804	3301-000287	CORE-FERRITEBEAD;AA,3.5X1.0X6.		
D802	0402-000540	DIODE-RECTIFIER;RU20A,600V,1,5		L805	2008-001058	R-FUSIBLE(S);0.18OHM,10%,1W,AF		
D803	0402-001105	DIODE-RECTIFIER;ERB43-04SV1,40		L809	2901-000299	FILTER-EMIBEAD;BL02RN2-R65T2DB		
D805	0402-000213	DIODE-RECTIFIER;ERB12-06,600V,		L810	AA27-10002Y	COIL-CHOKE;-,-100UH,K,10,700MA,		
D806	0401-000005	DIODE;1N4148TAPG		L811	2901-000299	FILTER-EMIBEAD;BL02RN2-R65T2DB		
D807	0402-000213	DIODE-RECTIFIER;ERB12-06,600V,		L901	2701-000197	INDUCTOR-AXIAL;5.6UH,10%,2.5X3		
D808	0402-000213	DIODE-RECTIFIER;ERB12-06,600V,		L902	2701-000114	INDUCTOR-AXIAL;10UH,10%,2.5X3.		
D809	0402-000213	DIODE-RECTIFIER;ERB12-06,600V,		L910	2901-000299	FILTER-EMIBEAD;BL02RN2-R65T2DB		
D810	0402-000213	DIODE-RECTIFIER;ERB12-06,600V,		L999	2701-000115	INDUCTOR-AXIAL;10UH,10%,2.8X7M		
D814	0402-000534	DIODE-RECTIFIER;RG10V,400V,1,5		LD901	AA96-30007A	ASSY-LED,GUIDE;AA61-50055A,DL-G7GA,GREEN		
D855	0403-000296	DIODE-ZENER;EQA02-06A/MTZ5.6B(		NT801	1404-000187	THERMISTOR;KL11L4R7-3.5A4.7OHM		
D856	0403-000296	DIODE-ZENER;EQA02-06A/MTZ5.6B(		△	P801A	1404-000208	POSISTOR;PTH631D02BF7ROM140TDE	
D901	0401-000005	DIODE;1N4148TAPG		PC802	0604-001038	PHOTOCOUPLER;TR,130-260%,200MW		
D902	0403-000296	DIODE-ZENER;EQA02-06A/MTZ5.6B(		Q151	0501-000436	TR-SMALLSIGNAL;KTC3197,NPN,30V		
D903	0401-000005	DIODE;1N4148TAPG		Q201	0501-002183	TR-SMALL SIG;KTC9014,NPN,625MW,TO-92,100		
D904	0401-000005	DIODE;1N4148TAPG		Q202	0501-002183	TR-SMALL SIG;KTC9014,NPN,625MW,TO-92,100		
D905	0403-000296	DIODE-ZENER;EQA02-06A/MTZ5.6B(		Q203	0501-002183	TR-SMALL SIG;KTC9014,NPN,625MW,TO-92,100		
D906	0403-000296	DIODE-ZENER;EQA02-06A/MTZ5.6B(		Q401	0502-001115	TR-POWER;KSC5386,NPN,50W,TO-3PF,ST,8		
DJ01	0402-000132	DIODE-RECTIFIER;1N4004,400V,1A,DO-41		Q402	0501-000369	TRANSISTOR;KSC2331-Y(TAPG)		
DX01	0403-000297	DIODE-ZENER;EQA02-06D/MTZ6.2B(		Q501	0501-002014	TR-SMALLSIGNAL;KSC2330-RNPN		
DX02	0402-000132	DIODE-RECTIFIER;1N4004,400V,1A,DO-41		Q502	0501-002014	TR-SMALLSIGNAL;KSC2330-RNPN		
DZ801	1405-000152	VARISTOR;560V,2500A,14X8.5MM,T		Q503	0501-002014	TR-SMALLSIGNAL;KSC2330-RNPN		
DZ802	0403-000300	DIODE-ZENER;MTZ8.2B,7.78-.19V,		Q601	0502-000242	TR-POWER;KSA614,PNP,-80V,-55V,		
DZ803	0403-000296	DIODE-ZENER;EQA02-06A/MTZ5.6B(		Q602	0501-002183	TR-SMALL SIG;KTC9014,NPN,625MW,TO-92,100		
DZ806	0403-000294	DIODE-ZENER;MTZ4.7B,4.55-4.80V,500MV,DO-		Q801	1203-001217	IC-POST,ADJUSTREG;431,TO-92,3P,4.58MIL,P		
DZ807	0403-000297	DIODE-ZENER;EQA02-06D/MTZ6.2B(		Q902	0501-002183	TR-SMALL SIG;KTC9014,NPN,625MW,TO-92,100		
DZ901	0403-000296	DIODE-ZENER;EQA02-06A/MTZ5.6B(		Q903	0501-002183	TR-SMALL SIG;KTC9014,NPN,625MW,TO-92,100		
DZ902	0403-000296	DIODE-ZENER;EQA02-06A/MTZ5.6B(		QU01	0504-000123	TR-DIGITAL;KSR1010,NPN,300MW,1		
DZ903	0403-000295	DIODE-ZENER;MTZ5.1B		QU10	0501-000369	TRANSISTOR;KSC2331-Y(TAPG)		

Loc	Part-No	Description & Specification	Remarks
QX01	0501-000283	TRANSISTOR;KSA539-Y(TAPG)/YTAM	
R101	2001-000290	R-CARBON;10KOHM,5%,1/8W,AA,TP,	
R102	2004-001301	R-METAL;82KOHM,5%,1/8W,AA,TP,1	
R104	2003-001017	R-METALOXIDE(S);220OHM,5%,2W,A	
R105	2003-001017	R-METALOXIDE(S);220OHM,5%,2W,A	
R152	2001-000221	R-CARBON;1.2KOHM,5%,1/8W,AA,TP	
R153	2001-000734	R-CARBON;4.7KOHM,5%,1/8W,AA,TP	
R154	2001-000780	R-CARBON;470OHM,5%,1/8W,AA,TP,	
R155	2001-000281	R-CARBON;100OHM,5%,1/8W,AA,TP,	
R156	2001-000793	R-CARBON;470OHM,5%,1/8W,AA,TP,1	
R157	2001-000568	R-CARBON;270OHM,5%,1/8W,AA,TP,1	
R158	2001-000007	R-CARBON;3KOHM,5%,1/8W,AA,TP,1	
R159	2001-000007	R-CARBON;3KOHM,5%,1/8W,AA,TP,1	
R201	2001-000429	R-CARBON;1KOHM,5%,1/8W,AA,TP,1	
R202	2001-000734	R-CARBON;4.7KOHM,5%,1/8W,AA,TP	
R203	2001-000734	R-CARBON;4.7KOHM,5%,1/8W,AA,TP	
R204	2001-000995	R-CARBON;820OHM,5%,1/8W,AA,TP,	
R205	2001-000995	R-CARBON;820OHM,5%,1/8W,AA,TP,	
R206	2001-000995	R-CARBON;820OHM,5%,1/8W,AA,TP,	
R207	2001-001111	R-CARBON(S);240OHM,5%,1/2W,AA,	
R208	2001-000515	R-CARBON;220OHM,5%,1/8W,AA,TP,	
R209	2001-000515	R-CARBON;220OHM,5%,1/8W,AA,TP,	
R210	2001-000515	R-CARBON;220OHM,5%,1/8W,AA,TP,	
R211	2001-000281	R-CARBON;100OHM,5%,1/8W,AA,TP,	
R212	2001-000281	R-CARBON;100OHM,5%,1/8W,AA,TP,	
R213	2001-000837	R-CARBON;51KOHM,5%,1/8W,AA,TP,	
R214	2001-000290	R-CARBON;10KOHM,5%,1/8W,AA,TP,	
R215	2001-000331	R-CARBON;12KOHM,5%,1/8W,AA,TP,	
R218	2001-000591	R-CARBON;3.3KOHM,5%,1/8W,AA,TP	
R219	2001-000674	R-CARBON;360OHM,5%,1/8W,AA,TP,	
R222	2001-000773	R-CARBON;470KOHM,5%,1/8W,AA,TP	
R223	2001-000780	R-CARBON;470OHM,5%,1/8W,AA,TP,	
R226	2001-000397	R-CARBON;180KOHM,5%,1/8W,AA,TP	
R227	2001-000508	R-CARBON;220KOHM,5%,1/8W,AA,TP	
R228	2001-000258	R-CARBON;1.8KOHM,5%,1/8W,AA,TP	
R229	2001-000258	R-CARBON;1.8KOHM,5%,1/8W,AA,TP	
R230	2001-000591	R-CARBON;3.3KOHM,5%,1/8W,AA,TP	
R231	2001-000660	R-CARBON;33KOHM,5%,1/8W,AA,TP,	
R233	2004-001234	R-METAL;75KOHM,5%,1/8W,AA,TP,1	
R234	2001-000405	R-CARBON;180OHM,5%,1/8W,AA,TP,	
R235	2001-000273	R-CARBON;100KOHM,5%,1/8W,AA,TP	
R236	2001-000548	R-CARBON;270KOHM,5%,1/8W,AA,TP	
R237	2001-000290	R-CARBON;10KOHM,5%,1/8W,AA,TP,	
R239	2004-001213	R-METAL;7.5KOHM,5%,1/8W,AA,TP,	
R240	2001-000577	R-CARBON;2KOHM,5%,1/8W,AA,TP,1	
R241	2001-000429	R-CARBON;1KOHM,5%,1/8W,AA,TP,1	
R242	2001-000221	R-CARBON;1.2KOHM,5%,1/8W,AA,TP	
R251	2001-000591	R-CARBON;3.3KOHM,5%,1/8W,AA,TP	
R252	2001-000591	R-CARBON;3.3KOHM,5%,1/8W,AA,TP	
R253	2001-000591	R-CARBON;3.3KOHM,5%,1/8W,AA,TP	
R257	2008-000252	R-FUSIBLE(S);0.470OHM,10%,1/2W,	
R301	2001-000429	R-CARBON;1KOHM,5%,1/8W,AA,TP,1	
R302	2001-000003	R-CARBON;330OHM,5%,1/8W,AA,TP,	
R303	2001-000864	R-CARBON;56KOHM,5%,1/8W,AA,TP,	
R304	2003-001036	R-METALOXIDE(S);3.3OHM,5%,2W,A	
R305	2001-000660	R-CARBON;33KOHM,5%,1/8W,AA,TP,	
R306	2004-001301	R-METAL;82KOHM,5%,1/8W,AA,TP,1	
R307	2001-000679	R-CARBON;36KOHM,5%,1/8W,AA,TP,	
R308	2001-000633	R-CARBON;30KOHM,5%,1/8W,AA,TP,	
R309	2003-000649	R-METALOXIDE(S);330OHM,5%,1W,A	
R401	2001-000780	R-CARBON;470OHM,5%,1/8W,AA,TP,	
R402	2001-000515	R-CARBON;220OHM,5%,1/8W,AA,TP,	
R403	2001-001114	R-CARBON(S);270OHM,5%,1/2W,AA,	
R404	2001-000020	R-CARBON(S);220OHM,5%,1/2W,AA,T	

Loc	Part-No	Description & Specification	Remarks
R405	2003-000540	R-METALOXIDE(S);1KOHM,5%,2W,AD	
R406	2008-001069	R-FUSIBLE(S);300OHM,5%,2W,AA,TP,3.9X10MM	
R407	2003-000994	R-METALOXIDE(S);33KOHM,5%,2W,AF,TP,3.9X1	
R408	2004-001390	R-METAL(S);1KOHM,2%,1/2W,AA,TP	
R409	2008-000253	R-FUSIBLE(S);0.470OHM,5%,1W,AF,	
R410	2008-000206	R-FUSIBLE(S);1OHM,5%,1/2W,AF,T	
R411	2004-001377	R-METAL(S);120KOHM,1%,1/2W,AA,TP,2.4X6.4	
R412	2004-001377	R-METAL(S);120KOHM,1%,1/2W,AA,TP,2.4X6.4	
R413	2001-003019	R-CARBON(S);0.390OHM,10%,1/2W,A	
R415	2003-000784	R-METAL OXIDE(S);7.5KOHM,5%,2W,AF,TP,3.7	
R416	2001-000022	R-CARBON(S);33OHM,5%,1/2W,AA,T	
R417	2001-001410	R-CARBON;RD1/2T(S)430-J43R	
R444	2001-001099	R-CARBON/METALFILM;RD1/2T2.7K-	
R501	2001-000007	R-CARBON;3KOHM,5%,1/8W,AA,TP,1	
R502	2001-000007	R-CARBON;3KOHM,5%,1/8W,AA,TP,1	
R503	2001-000007	R-CARBON;3KOHM,5%,1/8W,AA,TP,1	
R504	2003-000511	R-METALOXIDE(S);15KOHM,5%,2W,A	
R505	2003-000511	R-METALOXIDE(S);15KOHM,5%,2W,A	
R506	2003-000511	R-METALOXIDE(S);15KOHM,5%,2W,A	
R507	2001-000281	R-CARBON;100OHM,5%,1/8W,AA,TP,	
R508	2001-000281	R-CARBON;100OHM,5%,1/8W,AA,TP,	
R509	2001-000281	R-CARBON;100OHM,5%,1/8W,AA,TP,	
R510	2001-000628	R-CARBON;300OHM,5%,1/8W,AA,TP,	
R511	2001-000628	R-CARBON;300OHM,5%,1/8W,AA,TP,	
R512	2001-000628	R-CARBON;300OHM,5%,1/8W,AA,TP,	
R513	2001-000666	R-CARBON;33OHM,5%,1/8W,AA,TP,1	
R514	2001-000666	R-CARBON;33OHM,5%,1/8W,AA,TP,1	
R515	2002-001006	R-COMPOSITION;RC1/2T4.7KK/ERC-	
R517	2001-000666	R-CARBON;33OHM,5%,1/8W,AA,TP,1	
R518	2008-000206	R-FUSIBLE(S);1OHM,5%,1/2W,AF,T	
R518A	2008-000252	R-FUSIBLE(S);0.470OHM,10%,1/2W,	
R599	2008-000226	R-FUSIBLE;220OHM,5%,1/2W,AA,TP,4.7X11MM	
R602	2001-000786	R-CARBON;47KOHM,5%,1/8W,AA,TP,	
R603	2001-000786	R-CARBON;47KOHM,5%,1/8W,AA,TP,	
R604	2001-000449	R-CARBON;2.2KOHM,5%,1/8W,AA,TP	
R605	2001-000290	R-CARBON;10KOHM,5%,1/8W,AA,TP,	
R610	2001-000577	R-CARBON;2KOHM,5%,1/8W,AA,TP,1	
R611	2001-000429	R-CARBON;1KOHM,5%,1/8W,AA,TP,1	
R614	2001-001152	R-CARBON/METALFILM;RD1/2T47K-J	
R615	2001-001088	R-CARBON(S);1KOHM,5%,1/2W,AA,TP,2.4X6.4	
R701	2001-001187	R-CARBON(S);75OHM,5%,1/2W,AA,T	
R702	2001-000085	R-CARBON(S);100KOHM,5%,1/2W,AA	
R703	2001-000734	R-CARBON;4.7KOHM,5%,1/8W,AA,TP	
R801	2001-001150	R-CARBON(S);470KOHM,5%,1/2W,AA	
R802	2003-002119	R-METAL OXIDE(S);36KOHM,5%,1W,AF,TP,2.5X	
R803	2003-002119	R-METAL OXIDE(S);36KOHM,5%,1W,AF,TP,2.5X	
R805	2002-001013	R-COMPOSITION;4.7MOHM,10%,1/2W,AA,TP,3.7	
R806	2001-001071	R-CARBON(S);12KOHM,5%,1/2W,AA,	
R807	2001-001071	R-CARBON(S);12KOHM,5%,1/2W,AA,	
R808	2001-001150	R-CARBON(S);470KOHM,5%,1/2W,AA	
R809	2008-000205	R-FUSIBLE(S);10OHM,5%,1/2W,AF,	
R811	2001-001170	R-CARBON(S);6.8OHM,5%,1/2W,AB,	
R812	2008-000252	R-FUSIBLE(S);0.470OHM,10%,1/2W,	
R817	2001-001088	R-CARBON(S);1KOHM,5%,1/2W,AA,TP,2.4X6.4	
R818	2001-001088	R-CARBON(S);1KOHM,5%,1/2W,AA,TP,2.4X6.4	
R819	2008-001011	R-FUSIBLE(S);0.180OHM,10%,2W,AF	
R821	2004-004089	R-METAL;123KOHM,1%,1/2W,AA,TP,2.5X6.5	
R822	2001-000022	R-CARBON(S);33OHM,5%,1/2W,AA,T	
R823	2001-001178	R-CARBON(S);680OHM,5%,1/2W,AA,	
R824	2001-001125	R-CARBON(S);300KOHM,5%,1/2W,AA	
R852	2001-001088	R-CARBON(S);1KOHM,5%,1/2W,AA,TP,2.4X6.4	
R853	2001-001054	R-CARBON(S);1.6KOHM,5%,1/2W,AB,TP,2.4X6.	
R854	2004-001983	R-METAL;2.49KOHM,1%,1/2W,AA,TP,2.4X6.4	
R901	2001-000793	R-CARBON;470OHM,5%,1/8W,AA,TP,1	

Loc	Part-No	Description & Specification	Remarks
R902	2001-000429	R-CARBON;1KOHM,5%,1/8W,AA,TP,1	
R903	2001-000281	R-CARBON;100OHM,5%,1/8W,AA,TP,	
R904	2001-000281	R-CARBON;100OHM,5%,1/8W,AA,TP,	
R905	2001-000429	R-CARBON;1KOHM,5%,1/8W,AA,TP,1	
R906	2001-000472	R-CARBON;2.7KOHM,5%,1/8W,AA,TP	
R907	2001-000995	R-CARBON;820OHM,5%,1/8W,AA,TP,	
R908	2001-000232	R-CARBON;1.3KOHM,5%,1/8W,AA,TP	
R910	2001-000995	R-CARBON;820OHM,5%,1/8W,AA,TP,	
R911	2001-000290	R-CARBON;10KOHM,5%,1/8W,AA,TP,	
R913	2004-001193	R-METAL;680OHM,5%,1/8W,AA,TP,1	
R914	2001-000577	R-CARBON;2KOHM,5%,1/8W,AA,TP,1	
R915	2001-000734	R-CARBON;4.7KOHM,5%,1/8W,AA,TP	
R916	2004-001213	R-METAL;7.5KOHM,5%,1/8W,AA,TP,	
R917	2004-001213	R-METAL;7.5KOHM,5%,1/8W,AA,TP,	
R918	2004-001213	R-METAL;7.5KOHM,5%,1/8W,AA,TP,	
R919	2004-001258	R-METAL;8.2KOHM,5%,1/8W,AA,TP,	
R920	2001-000522	R-CARBON;22KOHM,5%,1/8W,AA,TP,	
R921	2001-000290	R-CARBON;10KOHM,5%,1/8W,AA,TP,	
R922	2001-000281	R-CARBON;100OHM,5%,1/8W,AA,TP,	
R923	2001-000281	R-CARBON;100OHM,5%,1/8W,AA,TP,	
R924	2001-000449	R-CARBON;2.2KOHM,5%,1/8W,AA,TP	
R925	2001-000449	R-CARBON;2.2KOHM,5%,1/8W,AA,TP	
R926	2001-000008	R-CARBON;15KOHM,5%,1/8W,AA,TP,	
R927	2001-000290	R-CARBON;10KOHM,5%,1/8W,AA,TP,	
R928	2004-001104	R-METAL;56KOHM,5%,1/8W,AA,TP,1	
R929	2001-000232	R-CARBON;1.3KOHM,5%,1/8W,AA,TP	
R930	2001-000290	R-CARBON;10KOHM,5%,1/8W,AA,TP,	
R931	2001-000429	R-CARBON;1KOHM,5%,1/8W,AA,TP,1	
R932	2001-000290	R-CARBON;10KOHM,5%,1/8W,AA,TP,	
R933	2001-000290	R-CARBON;10KOHM,5%,1/8W,AA,TP,	
R934	0401-000005	DIODE;1N4148TAPG	
R937	2001-000290	R-CARBON;10KOHM,5%,1/8W,AA,TP,	
R940	2001-000708	R-CARBON;39OHM,5%,1/8W,AA,TP,1.8X3.4MM	
R951	2001-000734	R-CARBON;4.7KOHM,5%,1/8W,AA,TP	
R952	2001-000472	R-CARBON;2.7KOHM,5%,1/8W,AA,TP	
R988	2001-000508	R-CARBON;220KOHM,5%,1/8W,AA,TP	
RE01	2001-000117	R-CARBON(S);680OHM,5%,1/2W,AB,T	
RE02	2001-000117	R-CARBON(S);680OHM,5%,1/2W,AB,T	
RLU01	3501-001040	RELAYPOWER;12VDC,500MW,10A,1FO	
RM01	2002-001006	R-COMPOSITION;RC1/2T4.7KK/ERC-	
RM02	2002-001006	R-COMPOSITION;RC1/2T4.7KK/ERC-	
RM901	AA59-60001U	MODULE-REMOCON;-;ORC-50VF,38KH	
RU01	2002-001010	R-COMPOSITION;1.8MOHM,10%,1/2W,AA,TP,3	
RU02	2001-000780	R-CARBON;470OHM,5%,1/8W,AA,TP,	
RU06	2001-000397	R-CARBON;180KOHM,5%,1/8W,AA,TP	
RU07	2001-001062	R-CARBON(S);10MOHM,5%,1/2W,AA,	
RU10	2001-000780	R-CARBON;470OHM,5%,1/8W,AA,TP,	
RU11	2001-000290	R-CARBON;10KOHM,5%,1/8W,AA,TP,	
RU12	2001-000734	R-CARBON;4.7KOHM,5%,1/8W,AA,TP	
RU13	2001-000022	R-CARBON(S);330OHM,5%,1/2W,AA,T	
RX01	2001-000397	R-CARBON;180KOHM,5%,1/8W,AA,TP	
RX02	2001-000411	R-CARBON;18KOHM,5%,1/8W,AA,TP,	
RX03	2004-001987	R-METAL;4.3KOHM,1%,1/2W,AA,TP,	
RX04	2004-001376	R-METAL(S);11KOHM,1%,1/2W,AA,T	
RX05	2001-000522	R-CARBON;22KOHM,5%,1/8W,AA,TP,	
RX08	2001-000837	R-CARBON;51KOHM,5%,1/8W,AA,TP,	
SF101	2904-000304	FILTER-SAW;M1859MNTSC/USAVIFST	
SW901	3404-000244	SWITCH-TACT;15V,20MA,90-170GF,	
SW902	3404-000244	SWITCH-TACT;15V,20MA,90-170GF,	
SW903	3404-000244	SWITCH-TACT;15V,20MA,90-170GF,	
SW904	3404-000244	SWITCH-TACT;15V,20MA,90-170GF,	
SW905	3404-000244	SWITCH-TACT;15V,20MA,90-170GF,	
SW906	3404-000295	SW-TACT,V;KPT1122R1KEYSTT=0.3M	
T401	AA26-50001B	HORIZ.DRIVE;-;7.1MH,102UH,10-2	

Loc	Part-No	Description & Specification	Remarks
T444	L7000-0032	TRANS-FLYBACK;FSV14A00114INCH	LOCAL
T801	AA26-20007L	TRANS-SWITCHING;120V,125/12.5,UL/CSA,EAE	
TU01	AA40-10005T	TUNER-F/S;TECC1070PG26A(S),NTS	
V999	3704-001089	SOCKET CRT;9P,22.5PI,12PI,SN,13"	
X201	2801-000226	CRYSTAL-UNIT;3.579545MHZ,20PPM	
X202	2802-000172	RESONATOR-CERAMIC;503.5KHZ,0.5	
X901*	2801-003224	CRYSTAL-UNIT;32.768KHZ,20PPM,2	
Z201	2903-001022	FILTER-CERAMIC;TR,4.5MHZ	
Z601	2903-000135	FILTER-CERAMIC;BP,4.5MHZ	
<b>ASSY- POWER, CORD</b>			
	* L3000-0006	POWERCORDEP2;L3000-0002,2.4M,7	LOCAL
	H-CORD AA61-20070A	HOLDER-CORD;PP,VO,BLK,KE-0002	
	PWR/AC L3000-0002	POWER-CORD,AC;MSP-10W/SPT-2/F,BLK-HOU	LOCAL
<b>ASSY- ACCESSORY</b>			
A/ROD	L7000-0132	ANT-RODVHF;4SDODIPOLE850MMBRN	LOCAL
T/MATC	L2759-115-040	TRANS-MATCHING;R300-R75(C,R-MU	LOCAL
I/B	AA68-11250A	INSTRCTION-BOOK;K15A,ENG, TM59,205X150,AP	
<b>ASSY- CRT</b>			
C-Y	AA27-60001L	MAGNET-CONVERGENCE;-;NY-225,22	
SPACER	AA63-60028A	SPACER-DY;-;NEOPRENE;-;BLK,V0W	
CRT	D2019-400-083	CRT-COLOR;-;A34KQV42X,+380MG,1	LOCAL
D-Y	L7000-0005	DEFL-YOKE(SEMSA);DSE-1422FL	LOCAL
<b>REMOCON</b>			
	* AA59-10101M	REMOCON;DP, TM59,-,-;AA59-10059T	
<b>ASSY- SPEAKER</b>			
	* AA96-10014A	ASSY-SPEAKER;8OHM,2.5W,3(2),F/200	
SPK	3001-000281	SPEAKER-GENERAL;2.5W8OHM77MM77	
L/SPK	L3058-003-008	LEAD-CONNECTOR,ASSY;-;67096-00,200MM,3(2)	LOCAL
<b>ASSY- CABINET</b>			
	* AA92-30161K	ASSY-CABINET,FRONT;CT-3373,VO,BLK,S/V,US	
CB+CF	6002-000514	SCREW-TAPPING;RH,+;2,M4,L15,ZP	
KC+CF	6002-000514	SCREW-TAPPING;RH,+;2,M4,L15,ZP	
D-COIL	AA27-20003U	DEGAUSSING-COIL;14",16.4OHM,75T	
PA+CF	AA60-10002A	SCREW-TAPPING;-;RH,+;M4,L12,ZP	
CRT+CF	AA60-10050D	SCREW-ASSY;WC,HH,+;M5,L35,SWRC	
SPRING	AA61-60003J	SPRING-CS;-;SUS304,0.5,OD6,H	
BCFELT	AA63-60001U	SPACER-FELT;-;FELT,T0.5,-;150X	
SPFSPK	AA63-60001Z	SPACER-FELT;-;FELT,T1.0,-;35X8	
KNOPOV	AA64-10137D	KNOB-POWER;-;ABS,HB,BLK,-;3373	
WINDOW	AA64-40051A	WINDOW-REMOCON;-;ABS,HB,-;NO-S	
INDLED	AA64-40184A	INDICATOR-LED;-;ACRYL,-;33	
BADGE	AA64-70009F	BADGE-BRAND;-;AL,-;L40,SILVER,	
F/C	L2001-0135-02	CABINET-FRONT;HIPS	LOCAL
B/C	L2001-0136-00	CABINET-BACK;HIPSVOBLACKCT-337	LOCAL
BOSS	L3113-0003-01	BOSS-CABINET;HIPSVOBLKCT-5073	LOCAL
KNOCON	L4082-0186-00	KNOB-CONTROL;ABS;HBLKCT-3373	LOCAL

	Loc No	TXH1372/UCX, CCX		TXH1972/UCX, CCX		Remarks
		Code No.	Discription & Specification	Code No.	Discription & Specification	
MAIN	C301	2301-000226	C-FILM,PEF;27NF,5%,100V,7.3X4X	X		
	C305	2305-000427	C-FILM,MPEF;47NF,5%,100V,7.5X1	X		
	C402	2306-000253	C-FILM;CF922P1.6KVT722-JBUP	2306-000355	C-FILM;CF922P1.6KVT742-JBUP	
	C404	2306-000004	C-FILM,MPPF;330NF,5%,250V,TP,2	2306-000193	C-FILM,MPPF;360NF,5%,200V,-,7.	
	D-COIL	AA27-20003U	DEGAUSSING-COIL;14",16.4OHM,75	LA27-20003F	COIL-DEGAUSSING;20",6.2,30T,23	
	R303	X		2004-001990	R-METAL;62KOHM,5%,1/8W,AA,TP,1	
	R304	2003-001036	R-METALOXIDE(S);3.3OHM,5%,2W,A	2003-000436	R-METALOXIDE(S);1.5OHM,5%,1W,A	
	R306	X		2001-000766	R-CARBON;43KOHM,5%,1/8W,AA,TP,	
	R307	2001-000679	R-CARBON;36KOHM,5%,1/8W,AA,TP,	X		
	R308	2001-000633	R-CARBON;30KOHM,5%,1/8W,AA,TP,	2004-001990	R-METAL;62KOHM,5%,1/8W,AA,TP,1	
	R309	2003-000649	R-METALOXIDE(S);330OHM,5%,1W,A	2003-001043	R-METALOXIDE(S);510OHM,5%,1W,A	
	R404	2001-000020	R-CARBON(S);22OHM,5%,1/2W,AA,T	2001-001136	R-CARBON(S);36OHM,5%,1/2W,AA,T	
	R411	2004-001377	R-METAL(S);120KOHM,1%,1/2W,AA,	2004-001373	R-METAL_FILM;RM1/2T100K-F	
	R412	2004-001377	R-METAL(S);120KOHM,1%,1/2W,AA,	2004-001373	R-METAL_FILM;RM1/2T100K-F	
	R413	2001-003019	R-CARBON(S);0.39OHM,10%,1/2W,A	X		
	R518	X		2008-000266	R-FUSIBLE(S);1OHM,5%,2W,AF,TP,	
	T444	L7000-0032	TRANS-FLYBACK;FSV14A00114INCH	L7000-0026	TRANS-FLAYBACK(SEM);FSV20A001	
V999	3704-001089	SOCKET CRT;9P,22.5PI,12PI,SN,1	3704-001090	SOCKET-CRT;9P,15.24PI,26.5PI,S		
SPEAKER	ASSY	AA96-10014A	ASSY-SPEAKER;8ohm,2.5W,S(2),F/	AA96-10141A	ASSY-SPEAKER;3W,8ohmX1,700	
	SPK	3001-000281	SPEAKER-GENERAL;2.5W8OHM77MM77	3001-000191	SPEAKER;3W,8OHM,90DB,180HZ	
	SPKL	L3058-003-008	LEAD-CONNECTOR,ASSY;-67096-00,	AA39-20501C	LEAD CONNECTOR-ASSY;-67096-00	
CRT	C-Y	AA27-60001L	MAGNET-CONVERGENCE;-NY-225,22	AA27-60001D	MAGNET-CONVERGENCE;-JH-291-(J	
	D-Y	L7000-0005	DEFL-YOKE(SEMSA);DSE-1422FL	AA27-50004W	D-Y;20",HI-TRON CRT	
	CRT	D2019-400-083	CRT-COLOR;-A34KQV42X,+380MG,1	AA03-10029W	CRT:A48KRD82X(H),+380MG,SEMI-T	
	CONN	L6434-0084-030	CONNECTORASSY;B8XB8300M1007#26	L6434-0084-000	CONNECTORASSY;B8XB8400MM1007#2	
ACCESSORY	MACH/T	L2759-115-040	TRANS-MATCHING;R300-R75(C.R-MU	L2759-115-040	TRANS-MATCHING;R300-R75(C.R-MU	SEA Only
	I/B	AA68-11250A	INSTRCTION-BOOK;K15A,ENG,TM59,	AA68-11250A	INSTRCTION-BOOK;K15A,ENG,TM59,	
	MACH/T	L2759-115-050	TRANS-MATCHING;R300-R75CSA	L2759-115-050	TRANS-MATCHING;R300-R75CSA	SECA Only
	I/B	AA68-11252A	INSTRCTION-BOOK;K15A,FRENCH,TM	AA68-11252A	INSTRCTION-BOOK;K15A,FRENCH,TM	
	I/B	AA68-11252B	INSTRCTION-BOOK;K15A,ENG-CAN,T	AA68-11252B	INSTRCTION-BOOK;K15A,ENG-CAN,T	
CABINET	ASSY	AA92-30161K	ASSY-CABINET,FRONT,CT-3373,VO	AA92-30161S	ASSY-CABINET,FRONT;CT-5073,VO	
	SPRIN	AA61-60003J	SPRING-CS;-,-,SUS304,0.5,OD6,H	AA61-60003T	SPRING-CS;-,-,SUS304,0.5,OD7,H	
	GRI/W	X		AA63-50096A	GRILLE-WOOFER;DP,-,-,-,-,AA63-	
	SPA	AA63-60001Z	SPACER-FELT;-,-,FELT,1.0,-,35X8	X		
	K-POW	AA64-10137D	KNOB-POWER;-,-,ABS,HB,BLK,-,3373	AA64-10131B	KNOB-POWER;-,-,ABS,HB,BLK,-,5073	
	WIN-R	AA64-40051A	WINDOW-REMOCON;-,-,ABS,HB,-,NO-S	AA64-40044A	WINDOW-REMOCON;-,-,ABS,HB,-,NO-S	
	I-LED	AA64-40184A	INDICATOR-LED;-,-,ACRYL,-,-,-,33	AA64-40182A	INDICATOR-LED;-,-,ACRYL,-,-,-,50	
	BADGE	AA64-70009F	BADGE-BRAND;-,-,AL,-,L40,SILVER,	AA64-70015A	BADGE-BRAND;-,-,AL,-,L45,SILVER,	
	FRONT	L2001-0135-021	CABINET-FRONT;HIPS VO BLK PA-1	L2001-0129-021	CABINET-FRONT;HIPS VO BLK PA10	
	BACK	L2001-0136-000	CABINET-BACK;HIPSVOBLACKCT-337	L2001-0130-000	CABINET-BACK;HIPSVOBLACKCT-507	
	K-CON	L4082-0186-000	KNOB-CONTROL;ABS,HB,BLKCT-3373	L4082-0271-000	KNOB-CONTROL;ABS,HB,BLKCT-5073	

7-5. TXH1373/UCX, TXH1373/CCX

Loc	Part-No	Description & Specification	Remarks
<b>ASSY- PCB,MAIN</b>			
	* AA94-10133Q	ASSY-PCB.MAIN(COM);K15A(O),S/V,13",DUAL	
C101	2202-000127	C-CERAMIC,MLC-AXIAL;10NF,+80-2	
C102	2401-000660	C-ELECTROLYTIC;CE04WTAPG50V2.2	
C104	2202-000127	C-CERAMIC,MLC-AXIAL;10NF,+80-2	
C108	2401-000480	C-AL;10UF,20%,50V,GP,5X11MM,5M	
C110	2401-000808	C-AL;220UF,20%,16V,GP,8X11MM,5	
C151	2202-000127	C-CERAMIC,MLC-AXIAL;10NF,+80-2	
C153	2202-000127	C-CERAMIC,MLC-AXIAL;10NF,+80-2	
C201	2201-000292	C-CERAMIC,DISC;1NF,10%,50V,Y5P	
C202	2401-001333	C-ELECTROLYTIC;CE04WTAPG50V0.4	
C203	2401-001495	C-AL;47UF,20%,16V,GP,5X11MM,5M	
C204	2301-000188	C-FILM,PEF;1NF,5%,100V,10.5X12	
C205	2401-001333	C-ELECTROLYTIC;CE04WTAPG50V0.4	
C206	2305-001011	C-FILM,MPEF;22NF,5%,100V,3.5X12.5X7.5MM	
C207	2401-001333	C-ELECTROLYTIC;CE04WTAPG50V0.4	
C209	2305-000665	C-FILM;CF922N63VT104-J-40/1053	
C210	2305-000665	C-FILM;CF922N63VT104-J-40/1053	
C211	2305-000665	C-FILM;CF922N63VT104-J-40/1053	
C212	2201-000982	C-CERAMIC,DISC;10NF,+80-20%,50	
C213	2201-000193	C-CERAMIC,DISC;10PF,0.25PF,50V	
C214	2401-000660	C-ELECTROLYTIC;CE04WTAPG50V2.2	
C215	2401-001840	C-AL;100UF,20%,16V,GP,TP,6.3X1	
C216	2201-000354	C-CERAMIC,DISC;20PF,5%,50V,NPO	
C218	2301-000181	C-FILM,PEF;18NF,5%,50V,7.1X3.5	
C219	2401-000603	C-AL;1UF,20%,50V,GP,5X11MM,5MM	
C220	2401-000480	C-AL;10UF,20%,50V,GP,5X11MM,5M	
C221	2401-002462	C-ELECTROLYTIC;CE04WTAPG16V33M	
C222	2305-000665	C-FILM;CF922N63VT104-J-40/1053	
C225	2401-000480	C-AL;10UF,20%,50V,GP,5X11MM,5M	
C226	2401-000603	C-AL;1UF,20%,50V,GP,5X11MM,5MM	
C227	2305-000665	C-FILM;CF922N63VT104-J-40/1053	
C229	2202-000127	C-CERAMIC,MLC-AXIAL;10NF,+80-2	
C230	2305-000665	C-FILM;CF922N63VT104-J-40/1053	
C231	2401-001495	C-AL;47UF,20%,16V,GP,5X11MM,5M	
C232	2401-001495	C-AL;47UF,20%,16V,GP,5X11MM,5M	
C233	2401-000480	C-AL;10UF,20%,50V,GP,5X11MM,5M	
C234	2301-000264	C-FILM,PEF;4.7NF,5%,50V,6.5X5.	
C235	2202-000279	C-CERAMIC,MLC-AXIAL;47PF,5%,50	
C236	2202-000127	C-CERAMIC,MLC-AXIAL;10NF,+80-2	
C237	2202-000154	C-CERAMIC,MLC-AXIAL;150PF,10%,	
C301	2301-000226	C-FILM,PEF;27NF,5%,100V,7.3X4X12.5MM,5MM	
C302	2201-000556	C-CERAMIC,DISC;470PF,10%,500V,	
C303	2202-000127	C-CERAMIC,MLC-AXIAL;10NF,+80-2	
C304	2401-000553	C-AL;1UF,10%,50V,GP,5X11MM,5MM	
C305	2305-000427	C-FILM,MPEF;47NF,5%,100V,7.5X1	
C306	2401-002458	C-AL;1000UF,20%,35V,GP,16X25MM	
C308	2301-000310	C-FILM,PEF;68NF,5%,50V,8.0X8.5	
C309	2401-000360	C-AL;100UF,20%,50V,GP,8X11MM,5	
C310	2401-000480	C-AL;10UF,20%,50V,GP,5X11MM,5M	
C311	2401-001333	C-ELECTROLYTIC;CE04WTAPG50V0.4	
C312	2401-000553	C-AL;1UF,10%,50V,GP,5X11MM,5MM	
C313	2305-000470	C-FILM,MPEF;68NF,5%,100V,-,5MM	
△ C401	2301-000224	C-FILM,PEF;22NF,5%,50V,7.4X3.9	
△ C402	2306-000253	C-FILM;CF922P1.6KV722-JBUP	
C403	2201-000991	C-CERAMIC,HIC;CK45(T)B2KV561-K	

Loc	Part-No	Description & Specification	Remarks
C404	2306-000004	C-FILM,MPPF;330NF,5%,250V,TP,2	
C405	2305-000704	C-M,POLYESTER;CFS922MTAPG250V1	
C406	2201-000556	C-CERAMIC,DISC;470PF,10%,500V,	
C407	2401-001429	C-ELECTROLYTIC;CE04WTAPG50V470	
C408	2201-000556	C-CERAMIC,DISC;470PF,10%,500V,	
C409	2401-001998	C-AL;1000UF,20%,25V,GP,TP,10X20	
C410	2301-000224	C-FILM,PEF;22NF,5%,50V,7.4X3.9	
C411	2201-000556	C-CERAMIC,DISC;470PF,10%,500V,	
C412	2401-000927	C-AL;22UF,20%,250V,GP,13X20MM,	
C413	2401-000560	C-AL;1UF,20%,160V,GP,GT,6.3,11MM	
C444	2201-000441	C-CERAMIC,DISC;3.3NF,10%,500V,	
C445	2201-000441	C-CERAMIC,DISC;3.3NF,10%,500V,	
C501	2202-000821	C-CERAMIC,MCL-AXIAL;560PF,10%,50V,Y5P,TP	
C502	2202-000862	C-CERAMIC;CCOASL50VT391-JUP050	
C503	2202-000825	C-CERAMIC,MLC-AXIAL;680PF,10%,50V,Y5P,TP	
C505	2201-002063	C-CERAMIC,MCL-AXIAL;10NF,-20,+80%,3KV,Y5	
C601	2401-000962	C-ELECTROLYTIC;CE04WTAPG50V22M-	
C603	2301-000289	C-FILM,PEF;5.6NF,5%,50V,6.5X5.	
C604	2401-000660	C-ELECTROLYTIC;CE04WTAPG50V2.2	
C605	2305-000665	C-FILM;CF922N63VT104-J-40/1053	
C609	2401-000133	C-AL;1000UF,20%,16V,GP,13X20MM	
C611	2202-000279	C-CERAMIC,MLC-AXIAL;47PF,5%,50	
C612	2202-000279	C-CERAMIC,MLC-AXIAL;47PF,5%,50	
C651	2401-000660	C-ELECTROLYTIC;CE04WTAPG50V2.2	
C654	2401-001363	C-AL;470UF,20%,16V,GP,TP,10X12	
C701	2305-000665	C-FILM;CF922N63VT104-J-40/1053	
C702	2401-000471	C-AL;10UF,20%,50V,BP,6X11MM,5M	
C703	2202-000183	C-CERAMIC;CKOAX7R16VT222-MEP05	
C705	2202-000183	C-CERAMIC;CKOAX7R16VT222-MEP05	
C801	2401-000822	C-ELECTROLYTIC;CE04W200V220U-H	
C802	2201-000119	C-CERAMIC,DISC;100NF,+80-20%,5	
C803	2303-000163	C-FILM,PPF;2.2NF,5%,800V,-,-,T	
△ C804	2201-000987	C-CERAMIC,AC;CK45PE400V222-M(T	
C805	2201-000991	C-CERAMIC,HIC;CK45(T)B2KV561-K	
C806	2401-000262	C-AL;100UF,20%,160V,GP,16X25MM,5MM,	
C807	2201-000599	C-CERAMIC,DISC;560PF,10%,500V,	
C808	2301-000223	C-FILM,PEF;22NF,5%,100V,7.2X4.	
C809	2401-001998	C-AL;1000UF,20%,25V,GP,TP,10X20	
C810	2305-000412	C-FILM,MPEF;470NF,5%,63V,-,5MM	
C812	2401-001840	C-AL;100UF,20%,16V,GP,TP,6.3X1	
C813	2401-001495	C-AL;47UF,20%,16V,GP,5X11MM,5M	
△ C814	2306-000318	C-FILM,MPPF;220NF,20%,250V,-,2	
C816	2401-000480	C-AL;10UF,20%,50V,GP,5X11MM,5M	
C817	2401-001840	C-AL;100UF,20%,16V,GP,TP,6.3X1	
△ C819	2201-000963	C-CERAMIC;CK45Y5U400VACT102-MH	
C820	2401-001998	C-AL;1000UF,20%,25V,GP,TP,10X20	
C821	2401-001486	C-AL;47UF,20%,160V,HR,13X20MM,5MM,T	
C822	2301-000192	C-FILM,PEF;1NF,5%,50V,5.3X10MM	
C823	2201-000370	C-CERAMIC,DISC;220PF,10%,50V,Y5P,TP	
C851	2401-001571	C-ELECTROLYTIC;CE04WTAPG50V47-	
C852	2301-000310	C-FILM,PEF;68NF,5%,50V,8.0X8.5	
C901	2401-001495	C-AL;47UF,20%,16V,GP,5X11MM,5M	
C902	2202-000796	C-CERAMIC,MLC-AXIAL;1NF,10%,50	
C903	2401-000480	C-AL;10UF,20%,50V,GP,5X11MM,5M	
C904	2202-000796	C-CERAMIC,MLC-AXIAL;1NF,10%,50	
C905	2401-001333	C-ELECTROLYTIC;CE04WTAPG50V0.4	
C907	2401-001271	C-ELECTROLYTIC;CE04WTAPG50V4.7	
C908	2201-000193	C-CERAMIC,DISC;10PF,0.25PF,50V	

Loc	Part-No	Description & Specification	Remarks
C909	2201-000573	C-CERAMIC,DISC;47PF,5%,50V,NPO	
C911	2401-000480	C-AL;10UF,20%,50V,GP,5X11MM,5M	
C912	2301-000310	C-FILM,PEF;68NF,5%,50V,8.0X8.5	
C914A	2401-000947	C-AL;22UF,20%,35V,GP,5X11MM,-	
C915	2202-000127	C-CERAMIC,MLC-AXIAL;10NF,+80-2	
CE01	2401-000480	C-AL;10UF,20%,50V,GP,5X11MM,5M	
CLW/HS	AA65-30003A	CLAMP-WIRE;- NYLON-66,V0,NTR,V	
CN501	L6434-0084-03	CONNECTORASSY;B8XB8300M1007#26	LOCAL △
CN603	3711-002642	POST-HEADER;67094-003(AUTO)	
CN701	3711-002646	POST-HEADER;67094-007(AUTO)	
CN704	L6434-0010-04	CONNECTORASSY;B7XS7150MM1007#2	LOCAL
CU02	2305-000665	C-FILM;CF922N63VT104-J-40/1053	
CU10	2401-000832	C-AL;220UF,20%,25V,GP,8X11MM,5	
CX01	2202-000127	C-CERAMIC,MLC-AXIAL;10NF,+80-2	
CX02	2401-000480	C-AL;10UF,20%,50V,GP,5X11MM,5M	△
CX03	2401-000480	C-AL;10UF,20%,50V,GP,5X11MM,5M	
CX04	2201-000556	C-CERAMIC,DISC;470PF,10%,500V,	
D101	0403-000700	DIODE-ZENER;TZP33A,33V,31-35V,	
D102	0403-000296	DIODE-ZENER;EQA02-06A/MTZ5.6B(	
D103	0402-000132	DIODE-RECTIFIER;1N4004,400V,1A,DO-41	
D201	0403-000663	DIODE-ZENER;MTZ3.3B,3.3V,3.32-	
D202	0401-000005	DIODE;1N4148TAPG	
D203	0401-000005	DIODE;1N4148TAPG	
D204	0401-000005	DIODE;1N4148TAPG	
D205	0403-000295	DIODE-ZENER;MTZ5.1B	
D206	0401-000005	DIODE;1N4148TAPG	
D207	0401-000005	DIODE;1N4148TAPG	
D208	0402-000132	DIODE-RECTIFIER;1N4004,400V,1A,DO-41	
D210	0403-000563	DIODE-ZENER;MTZ9.1B,9.1V,8.57-	
D299	0403-000654	DIODE-ZENER;MTZ12.12V,11.4-12.	
D301	0402-001105	DIODE-RECTIFIER;ERB43-04SV1,40	
D302	0403-000654	DIODE-ZENER;MTZ12.12V,11.4-12.	
D401	0402-000132	DIODE-RECTIFIER;1N4004,400V,1A,DO-41	
D402	0402-000132	DIODE-RECTIFIER;1N4004,400V,1A,DO-41	
D403	0402-001105	DIODE-RECTIFIER;ERB43-04SV1,40	
D404	0402-001105	DIODE-RECTIFIER;ERB43-04SV1,40	
D405	0402-001105	DIODE-RECTIFIER;ERB43-04SV1,40	
D407	0402-001105	DIODE-RECTIFIER;ERB43-04SV1,40	
D601	0401-000005	DIODE;1N4148TAPG	
D701	0403-000563	DIODE-ZENER;MTZ9.1B,9.1V,8.57-	△
D703	0403-000563	DIODE-ZENER;MTZ9.1B,9.1V,8.57-	
D704	0403-000563	DIODE-ZENER;MTZ9.1B,9.1V,8.57-	
D802	0402-000540	DIODE-RECTIFIER;RU20A,600V,1.5	
D803	0402-001105	DIODE-RECTIFIER;ERB43-04SV1,40	
D805	0402-000213	DIODE-RECTIFIER;ERB12-06,600V,	
D806	0401-000005	DIODE;1N4148TAPG	
D807	0402-000213	DIODE-RECTIFIER;ERB12-06,600V,	
D808	0402-000213	DIODE-RECTIFIER;ERB12-06,600V,	
D809	0402-000213	DIODE-RECTIFIER;ERB12-06,600V,	
D810	0402-000213	DIODE-RECTIFIER;ERB12-06,600V,	
D814	0402-000534	DIODE-RECTIFIER;RG10V,400V,1.5	
D855	0403-000296	DIODE-ZENER;EQA02-06A/MTZ5.6B(	
D856	0403-000296	DIODE-ZENER;EQA02-06A/MTZ5.6B(	
D901	0401-000005	DIODE;1N4148TAPG	
D902	0403-000296	DIODE-ZENER;EQA02-06A/MTZ5.6B(	
D903	0401-000005	DIODE;1N4148TAPG	
D904	0401-000005	DIODE;1N4148TAPG	
D905	0403-000296	DIODE-ZENER;EQA02-06A/MTZ5.6B(	
D906	0403-000296	DIODE-ZENER;EQA02-06A/MTZ5.6B(	
DU01	0402-000132	DIODE-RECTIFIER;1N4004,400V,1A,DO-41	
DX01	0403-000297	DIODE-ZENER;EQA02-06D/MTZ6.2B(	
DX02	0402-000132	DIODE-RECTIFIER;1N4004,400V,1A,DO-41	
DZ801	1405-000152	VARISTOR;560V,2500A,14X8.5MM,T	

Loc	Part-No	Description & Specification	Remarks
DZ802	0403-000300	DIODE-ZENER;MTZ8.2B,7.78-.19V,	
DZ803	0403-000296	DIODE-ZENER;EQA02-06A/MTZ5.6B(	
DZ806	0403-000294	DIODE-ZENER;MTZ4.7B,4.55-4.80V,500MV,DO	
DZ807	0403-000297	DIODE-ZENER;EQA02-06D/MTZ6.2B(	
DZ901	0403-000296	DIODE-ZENER;EQA02-06A/MTZ5.6B(	
DZ902	0403-000296	DIODE-ZENER;EQA02-06A/MTZ5.6B(	
DZ903	0403-000295	DIODE-ZENER;MTZ5.1B	
F801	3601-001012	FUSE-FERRULE;250V,4A,SLOW-BLOW	
F801A	3602-000114	FUSE-HOLDER;-,-,30MOHM	
F801B	3602-000114	FUSE-HOLDER;-,-,30MOHM	
GT101A	AA39-20010D	LEAD-CONNECTOR,ASSY;-,-,YFH800-01,S,1P,400	
IC201	1204-001296	IC-CHROMA;KA2163B,DIP,56P,-,PL	
IC301	1204-000475	IC;KA2131	H/SINK
IC601	1201-001298	IC-POWER AMP;4425,SIP,5P,9.5MIL,MONO,45D	H/SINK
IC801	1203-001493	IC-PEM CONTROLLER;3S0765RF,TO3PF-5L,5,21	H/SINK
IC802	1203-001532	IC-S/WREGU;IC KA1731	
IC901	AA13-30020A	IC-MCU;-,-,Z8933412PSC-R3757,16BIT,SDIP	
IC902	1103-001107	IC-EEPROM;24C020,256X8BIT,DIP,8P,300MIL	
JA601	3722-000143	JACK-PHONE;1P,3.4MM,-,MBAG	
JA701	3722-000162	JACK-PIN;2P,3.4MM,-,SN	
JA703	3722-000184	JACK-RCA;2P,3.4MM,-,AG	
JU13	2001-000429	R-CARBON;1KOHM,5%,1/8W,AA,TP,1	
L102	2701-000207	INDUCTOR-AXIAL;56UH,5%,2.5X3.4	
L152	2701-000326	INDUCTOR AXIAL;560NH,10%,2.3X3.4MM	
L201	AA26-10004K	TRANS-IF;-,-,7MG,SIF,-,-,7MM,100PF	
L202	2701-000207	INDUCTOR-AXIAL;56UH,5%,2.5X3.4	
L203	2701-000158	INDUCTOR-AXIAL;22UH,10%,2.5X3.	
L204	2701-000207	INDUCTOR-AXIAL;56UH,5%,2.5X3.4	
L205*	AA26-10004C	TRANS-IF;-,-,7MG,VIF,0.37UH,7MM,	
L206	2701-000111	INDUCTOR-AXIAL;100UH,10%,2.5X3	
L208	2701-000114	INDUCTOR-AXIAL;10UH,10%,2.5X3.	
L301	2701-000116	INDUCTOR-AXIAL;10UH,10%,4.2X9.	
L401	AA27-30001B	COIL-LINEARITY;-,-,195UH,QIC1010	
L402	2701-001032	INDUCTOR-AXIAL;100UH,10%,5X14MM	
L501	2701-000184	INDUCTOR-AXIAL;4.7UH,10%,2.5X3.4MM	
L502	2701-000184	INDUCTOR-AXIAL;4.7UH,10%,2.5X3.4MM	
L503	2701-000184	INDUCTOR-AXIAL;4.7UH,10%,2.5X3.4MM	
L601	2901-000297	FILTER-EMIBEAD;HF70ZBF3.5X5X0.	
L602	2701-000158	INDUCTOR-AXIAL;22UH,10%,2.5X3.	
L801	AA29-30001R	FILTER-LINE;-,-,6MH,2.0A,-,-,SQ191	
L802	3301-000287	CORE-FERRITEBEAD;AA,3.5X1.0X6.	
L803	2901-000297	FILTER-EMIBEAD;HF70ZBF3.5X5X0.	
L804	3301-000287	CORE-FERRITEBEAD;AA,3.5X1.0X6.	
L805	2008-001058	R-FUSIBLE(S);0.18OHM,10%,1W,AF	
L809	2901-000299	FILTER-EMIBEAD;BL02RN2-R65T2DB	
L810	AA27-10002Y	COIL-CHOKE;-,-,100UH,K,10,700MA,	
L811	2901-000299	FILTER-EMIBEAD;BL02RN2-R65T2DB	
L901	2701-000197	INDUCTOR-AXIAL;5.6UH,10%,2.5X3	
L902	2701-000114	INDUCTOR-AXIAL;10UH,10%,2.5X3.	
L910	2901-000299	FILTER-EMIBEAD;BL02RN2-R65T2DB	
L999	2701-000115	INDUCTOR-AXIAL;10UH,10%,2.8X7M	
LD901	AA96-30007A	ASSY-LED,GUIDE;AA61-50055A,DL-G7GA,GREEN	
NT801	1404-000187	THERMISTOR;KL11L4R7-3.5A4.7OHM	
P801A	1404-000208	POSISTOR;PTH631D02BF7ROM140TDE	
PC802	0604-001038	PHOTOCOUPLER;TR,130-260%,200MW	
PWR/AC	AA39-10003X	POWER-CORD;-,-,KKP-10W,SPT-2,2.1	
Q151	0501-000436	TR-SMALLSIGNAL;KTC3197,NPN,30V	
Q201	0501-002183	TR-SMALL SIG;KTC9014,NPN,625MW,TO-92,100	
Q202	0501-002183	TR-SMALL SIG;KTC9014,NPN,625MW,TO-92,100	
Q203	0501-002183	TR-SMALL SIG;KTC9014,NPN,625MW,TO-92,100	
Q401	0502-001115	TR-POWER;KSC5386,NPN,50W,TO-3PF,ST,8	
Q402	0501-000369	TRANSISTOR;KSC2331-Y(TAPG)	
Q501	0501-002014	TR-SMALLSIGNAL;KSC2330-RNPN	

Loc	Part-No	Description & Specification	Remarks
Q502	0501-002014	TR-SMALLSIGNAL;KSC2330-RNPN	
Q503	0501-002014	TR-SMALLSIGNAL;KSC2330-RNPN	
Q601	0502-000242	TR-POWER;KSA614,PNP,-80V,-55V,	
Q602	0501-002183	TR-SMALL SIG;KTC9014,NPN,625MW,TO-92,100	
Q801	1203-001217	IC-POST,ADJUSTREG;431,T0-92,3P,4.58MIL,P	
Q902	0501-002183	TR-SMALL SIG;KTC9014,NPN,625MW,TO-92,100	
Q903	0501-002183	TR-SMALL SIG;KTC9014,NPN,625MW,TO-92,100	
QU01	0504-000123	TR-DIGITAL;KSR1010,NPN,300MW,1	
QU10	0501-000369	TRANSISTOR;KSC2331-Y(TAPG)	
QX01	0501-000283	TRANSISTOR;KSA539-Y(TAPG)/YTAM	
R101	2001-000290	R-CARBON;10KOHM,5%,1/8W,AA,TP,	
R102	2004-001301	R-METAL;82KOHM,5%,1/8W,AA,TP,1	
R104	2003-001017	R-METALOXIDE(S);220OHM,5%,2W,A	
R105	2003-001017	R-METALOXIDE(S);220OHM,5%,2W,A	
R152	2001-000221	R-CARBON;1.2KOHM,5%,1/8W,AA,TP	
R153	2001-000734	R-CARBON;4.7KOHM,5%,1/8W,AA,TP	
R154	2001-000780	R-CARBON;470OHM,5%,1/8W,AA,TP,	
R155	2001-000281	R-CARBON;100OHM,5%,1/8W,AA,TP,	
R156	2001-000793	R-CARBON;470OHM,5%,1/8W,AA,TP,1	
R157	2001-000568	R-CARBON;270OHM,5%,1/8W,AA,TP,1	
R158	2001-000007	R-CARBON;3KOHM,5%,1/8W,AA,TP,1	
R159	2001-000007	R-CARBON;3KOHM,5%,1/8W,AA,TP,1	
R201	2001-000429	R-CARBON;1KOHM,5%,1/8W,AA,TP,1	
R202	2001-000734	R-CARBON;4.7KOHM,5%,1/8W,AA,TP	
R203	2001-000734	R-CARBON;4.7KOHM,5%,1/8W,AA,TP	
R204	2001-000995	R-CARBON;820OHM,5%,1/8W,AA,TP,	
R205	2001-000995	R-CARBON;820OHM,5%,1/8W,AA,TP,	
R206	2001-000995	R-CARBON;820OHM,5%,1/8W,AA,TP,	
R207	2001-001111	R-CARBON(S);240OHM,5%,1/2W,AA,	
R208	2001-000515	R-CARBON;220OHM,5%,1/8W,AA,TP,	
R209	2001-000515	R-CARBON;220OHM,5%,1/8W,AA,TP,	
R210	2001-000515	R-CARBON;220OHM,5%,1/8W,AA,TP,	
R211	2001-000281	R-CARBON;100OHM,5%,1/8W,AA,TP,	
R212	2001-000281	R-CARBON;100OHM,5%,1/8W,AA,TP,	
R213	2001-000837	R-CARBON;51KOHM,5%,1/8W,AA,TP,	
R214	2001-000290	R-CARBON;10KOHM,5%,1/8W,AA,TP,	
R215	2001-000331	R-CARBON;12KOHM,5%,1/8W,AA,TP,	
R218	2001-000591	R-CARBON;3.3KOHM,5%,1/8W,AA,TP	
R219	2001-000674	R-CARBON;360OHM,5%,1/8W,AA,TP,	
R222	2001-000773	R-CARBON;470KOHM,5%,1/8W,AA,TP	
R223	2001-000780	R-CARBON;470OHM,5%,1/8W,AA,TP,	
R226	2001-000397	R-CARBON;180KOHM,5%,1/8W,AA,TP	
R227	2001-000508	R-CARBON;220KOHM,5%,1/8W,AA,TP	
R228	2001-000258	R-CARBON;1.8KOHM,5%,1/8W,AA,TP	
R229	2001-000258	R-CARBON;1.8KOHM,5%,1/8W,AA,TP	
R230	2001-000591	R-CARBON;3.3KOHM,5%,1/8W,AA,TP	
R231	2001-000660	R-CARBON;33KOHM,5%,1/8W,AA,TP,	
R233	2004-001234	R-METAL;75KOHM,5%,1/8W,AA,TP,1	
R234	2001-000405	R-CARBON;180OHM,5%,1/8W,AA,TP,	
R235	2001-000273	R-CARBON;100KOHM,5%,1/8W,AA,TP	
R236	2001-000548	R-CARBON;270KOHM,5%,1/8W,AA,TP	
R237	2001-000290	R-CARBON;10KOHM,5%,1/8W,AA,TP,	
R239	2004-001213	R-METAL;7.5KOHM,5%,1/8W,AA,TP,	
R240	2001-000577	R-CARBON;2KOHM,5%,1/8W,AA,TP,1	
R241	2001-000429	R-CARBON;1KOHM,5%,1/8W,AA,TP,1	
R242	2001-000221	R-CARBON;1.2KOHM,5%,1/8W,AA,TP	
R251	2001-000591	R-CARBON;3.3KOHM,5%,1/8W,AA,TP	
R252	2001-000591	R-CARBON;3.3KOHM,5%,1/8W,AA,TP	
R253	2001-000591	R-CARBON;3.3KOHM,5%,1/8W,AA,TP	
R257	2008-000252	R-FUSIBLE(S);0.47OHM,10%,1/2W,	
R301	2001-000429	R-CARBON;1KOHM,5%,1/8W,AA,TP,1	
R302	2001-000003	R-CARBON;330OHM,5%,1/8W,AA,TP,	
R303	2001-000864	R-CARBON;56KOHM,5%,1/8W,AA,TP,	

Loc	Part-No	Description & Specification	Remarks
R304	2003-001036	R-METALOXIDE(S);3.3OHM,5%,2W,A	
R305	2001-000660	R-CARBON;33KOHM,5%,1/8W,AA,TP,	
R306	2004-001301	R-METAL;82KOHM,5%,1/8W,AA,TP,1	
R307	2001-000679	R-CARBON;36KOHM,5%,1/8W,AA,TP,	
R308	2001-000633	R-CARBON;30KOHM,5%,1/8W,AA,TP,	
R309	2003-000649	R-METALOXIDE(S);330OHM,5%,1W,A	
R401	2001-000780	R-CARBON;470OHM,5%,1/8W,AA,TP,	
R402	2001-000515	R-CARBON;220OHM,5%,1/8W,AA,TP,	
R403	2001-001114	R-CARBON(S);270OHM,5%,1/2W,AA,	
R404	2001-000020	R-CARBON(S);22OHM,5%,1/2W,AA,T	
R405	2003-000540	R-METALOXIDE(S);1KOHM,5%,2W,AD	
R406	2008-001069	R-FUSIBLE(S);300OHM,5%,2W,AA,TP,3.9X10MM	
R407	2003-000994	R-METALOXIDE(S);33KOHM,5%,2W,AF,TP,3.9X1	
R408	2004-001390	R-METAL(S);1KOHM,2%,1/2W,AA,TP	
R409	2008-000253	R-FUSIBLE(S);0.47OHM,5%,1W,AF,	
R410	2008-000206	R-FUSIBLE(S);1OHM,5%,1/2W,AF,T	
R411	2004-001377	R-METAL(S);120KOHM,1%,1/2W,AA,TP,2.4X6.4	
R412	2004-001377	R-METAL(S);120KOHM,1%,1/2W,AA,TP,2.4X6.4	
R413	2001-000319	R-CARBON(S);0.39OHM,10%,1/2W,A	
R415	2003-000784	R-METAL OXIDE(S);7.5KOHM,5%,2W,AF,TP,3.7	
R416	2001-000022	R-CARBON(S);33OHM,5%,1/2W,AA,T	
R417	2001-001410	R-CARBON;RD1/2T(S)430-43R	
R444	2001-001099	R-CARBON/METALFILM;RD1/2T2.7K-	
R501	2001-000007	R-CARBON;3KOHM,5%,1/8W,AA,TP,1	
R502	2001-000007	R-CARBON;3KOHM,5%,1/8W,AA,TP,1	
R503	2001-000007	R-CARBON;3KOHM,5%,1/8W,AA,TP,1	
R504	2003-000511	R-METALOXIDE(S);15KOHM,5%,2W,A	
R505	2003-000511	R-METALOXIDE(S);15KOHM,5%,2W,A	
R506	2003-000511	R-METALOXIDE(S);15KOHM,5%,2W,A	
R507	2001-000281	R-CARBON;100OHM,5%,1/8W,AA,TP,	
R508	2001-000281	R-CARBON;100OHM,5%,1/8W,AA,TP,	
R509	2001-000281	R-CARBON;100OHM,5%,1/8W,AA,TP,	
R510	2001-000628	R-CARBON;300OHM,5%,1/8W,AA,TP,	
R511	2001-000628	R-CARBON;300OHM,5%,1/8W,AA,TP,	
R512	2001-000628	R-CARBON;300OHM,5%,1/8W,AA,TP,	
R513	2001-000666	R-CARBON;33OHM,5%,1/8W,AA,TP,1	
R514	2001-000666	R-CARBON;33OHM,5%,1/8W,AA,TP,1	
R515	2002-001006	R-COMPOSITION;RC1/2T4.7KK/ERC-	
R517	2001-000666	R-CARBON;33OHM,5%,1/8W,AA,TP,1	
R518	2008-000206	R-FUSIBLE(S);1OHM,5%,1/2W,AF,T	
R518A	2008-000252	R-FUSIBLE(S);0.47OHM,10%,1/2W,	
R599	2008-000226	R-FUSIBLE;22OHM,5%,1/2W,AA,TP,4.7X11MM	
R602	2001-000786	R-CARBON;47KOHM,5%,1/8W,AA,TP,	
R603	2001-000786	R-CARBON;47KOHM,5%,1/8W,AA,TP,	
R604	2001-000449	R-CARBON;2.2KOHM,5%,1/8W,AA,TP	
R605	2001-000290	R-CARBON;10KOHM,5%,1/8W,AA,TP,	
R610	2001-000577	R-CARBON;2KOHM,5%,1/8W,AA,TP,1	
R611	2001-000429	R-CARBON;1KOHM,5%,1/8W,AA,TP,1	
R614	2001-001152	R-CARBON/METALFILM;RD1/2T47K-J	
R615	2001-001088	R-CARBON(S);1KOHM,5%,1/2W,AA,TP,2.4X6.4	
R701	2001-001187	R-CARBON(S);75OHM,5%,1/2W,AA,T	
R702	2001-000085	R-CARBON(S);100KOHM,5%,1/2W,AA	
R703	2001-000734	R-CARBON;4.7KOHM,5%,1/8W,AA,TP	
R801	2001-001150	R-CARBON(S);470KOHM,5%,1/2W,AA	
R802	2003-002119	R-METAL OXIDE(S);36KOHM,5%,1W,AF,TP,2.5	
R803	2003-002119	R-METAL OXIDE(S);36KOHM,5%,1W,AF,TP,2.5	
R805	2002-001013	R-COMPOSITION;4.7MOHM,10%,1/2W,AA,TP,3.7	
R806	2001-001071	R-CARBON(S);12KOHM,5%,1/2W,AA,	
R807	2001-001071	R-CARBON(S);12KOHM,5%,1/2W,AA,	
R808	2001-001150	R-CARBON(S);470KOHM,5%,1/2W,AA	
R809	2008-000205	R-FUSIBLE(S);1OHM,5%,1/2W,AF,	
R811	2001-001170	R-CARBON(S);6.8OHM,5%,1/2W,AB,	
R812	2008-000252	R-FUSIBLE(S);0.47OHM,10%,1/2W,	

Loc	Part-No	Description & Specification	Remarks
R817	2001-001111	R-CARBON(S);240OHM,5%,1/2W,AA,	
R818	2001-001111	R-CARBON(S);240OHM,5%,1/2W,AA,	
R819	2008-001011	R-FUSIBLE(S);0.18OHM,10%,2W,AF	
R821	2004-004089	R-METAL;123KOHM,1%,1/2W,AA,TP,2.5X6.5	
R822	2001-000022	R-CARBON(S);330OHM,5%,1/2W,AA,T	
R823	2001-001178	R-CARBON(S);680OHM,5%,1/2W,AA,	
R824	2001-001125	R-CARBON(S);300KOHM,5%,1/2W,AA	
R852	2001-001088	R-CARBON(S);1KOHM,5%,1/2W,AA,TP,2.4X6.4	
R853	2001-001054	R-CARBON(S);1.6KOHM,5%,1/2W,AB,TP,2.4X6.4	
R854	2004-001983	R-METAL;2.49KOHM,1%,1/2W,AA,TP,2.4X6.4	
R901	2001-000793	R-CARBON;470OHM,5%,1/8W,AA,TP,1	
R902	2001-000429	R-CARBON;1KOHM,5%,1/8W,AA,TP,1	
R903	2001-000281	R-CARBON;100OHM,5%,1/8W,AA,TP,	
R904	2001-000281	R-CARBON;100OHM,5%,1/8W,AA,TP,	
R905	2001-000429	R-CARBON;1KOHM,5%,1/8W,AA,TP,1	
R906	2001-000472	R-CARBON;2.7KOHM,5%,1/8W,AA,TP	
R907	2001-000995	R-CARBON;820OHM,5%,1/8W,AA,TP,	
R908	2001-000232	R-CARBON;1.3KOHM,5%,1/8W,AA,TP	
R910	2001-000995	R-CARBON;820OHM,5%,1/8W,AA,TP,	
R911	2001-000290	R-CARBON;10KOHM,5%,1/8W,AA,TP,	
R913	2004-001193	R-METAL;680OHM,5%,1/8W,AA,TP,1	
R914	2001-000577	R-CARBON;2KOHM,5%,1/8W,AA,TP,1	
R915	2001-000734	R-CARBON;4.7KOHM,5%,1/8W,AA,TP	
R916	2004-001213	R-METAL;7.5KOHM,5%,1/8W,AA,TP,	
R917	2004-001213	R-METAL;7.5KOHM,5%,1/8W,AA,TP,	
R918	2004-001213	R-METAL;7.5KOHM,5%,1/8W,AA,TP,	
R919	2004-001258	R-METAL;8.2KOHM,5%,1/8W,AA,TP,	
R920	2001-000522	R-CARBON;22KOHM,5%,1/8W,AA,TP,	
R921	2001-000290	R-CARBON;10KOHM,5%,1/8W,AA,TP,	
R922	2001-000281	R-CARBON;100OHM,5%,1/8W,AA,TP,	
R923	2001-000281	R-CARBON;100OHM,5%,1/8W,AA,TP,	
R924	2001-000449	R-CARBON;2.2KOHM,5%,1/8W,AA,TP	
R925	2001-000449	R-CARBON;2.2KOHM,5%,1/8W,AA,TP	
R926	2001-000008	R-CARBON;15KOHM,5%,1/8W,AA,TP,	
R927	2001-000290	R-CARBON;10KOHM,5%,1/8W,AA,TP,	
R928	2004-001104	R-METAL;56KOHM,5%,1/8W,AA,TP,1	
R929	2001-000232	R-CARBON;1.3KOHM,5%,1/8W,AA,TP	
R930	2001-000290	R-CARBON;10KOHM,5%,1/8W,AA,TP,	
R931	2001-000429	R-CARBON;1KOHM,5%,1/8W,AA,TP,1	
R932	2001-000290	R-CARBON;10KOHM,5%,1/8W,AA,TP,	
R933	2001-000290	R-CARBON;10KOHM,5%,1/8W,AA,TP,	
R934	0401-000005	DIODE;1N4148TAPG	
R937	2001-000290	R-CARBON;10KOHM,5%,1/8W,AA,TP,	
R940	2001-000708	R-CARBON;390OHM,5%,1/8W,AA,TP,1.8X3.4MM	
R951	2001-000734	R-CARBON;4.7KOHM,5%,1/8W,AA,TP	
R952	2001-000472	R-CARBON;2.7KOHM,5%,1/8W,AA,TP	
R988	2001-000508	R-CARBON;220KOHM,5%,1/8W,AA,TP	
RE01	2001-000117	R-CARBON(S);680OHM,5%,1/2W,AB,T	
RE02	2001-000117	R-CARBON(S);680OHM,5%,1/2W,AB,T	
RLU01	3501-001040	RELAYPOWER;12VDC,500MW,10A,1FO	
RM01	2002-001006	R-COMPOSITION;RC1/2T4.7KK/ERC-	
RM02	2002-001006	R-COMPOSITION;RC1/2T4.7KK/ERC-	
RM901	AA59-60001U	MODULE-REMOCON;-;ORC-50VF,38KH	
RU01	2002-001010	R-COMPOSITION;1.8MOHM,10%,1/2W,AA,TP,3	
RU02	2001-000780	R-CARBON;470OHM,5%,1/8W,AA,TP,	
RU06	2001-000397	R-CARBON;180KOHM,5%,1/8W,AA,TP	
RU07	2001-001062	R-CARBON(S);10MOHM,5%,1/2W,AA,	
RU10	2001-000780	R-CARBON;470OHM,5%,1/8W,AA,TP,	
RU11	2001-000290	R-CARBON;10KOHM,5%,1/8W,AA,TP,	
RU12	2001-000734	R-CARBON;4.7KOHM,5%,1/8W,AA,TP	
RU13	2001-000022	R-CARBON(S);330OHM,5%,1/2W,AA,T	
RX01	2001-000397	R-CARBON;180KOHM,5%,1/8W,AA,TP	
RX02	2001-000411	R-CARBON;18KOHM,5%,1/8W,AA,TP,	

Loc	Part-No	Description & Specification	Remarks
RX03	2004-001987	R-METAL;4.3KOHM,1%,1/2W,AA,TP,	
RX04	2004-001376	R-METAL(S);11KOHM,1%,1/2W,AA,T	
RX05	2001-000522	R-CARBON;22KOHM,5%,1/8W,AA,TP,	
RX08	2001-000837	R-CARBON;51KOHM,5%,1/8W,AA,TP,	
SF101	2904-000304	FILTER-SAW;M1859MNTSC/USAVIFST	
SW901	3404-000244	SWITCH-TACT;15V,20MA,90-170GF,	
SW902	3404-000244	SWITCH-TACT;15V,20MA,90-170GF,	
SW903	3404-000244	SWITCH-TACT;15V,20MA,90-170GF,	
SW904	3404-000244	SWITCH-TACT;15V,20MA,90-170GF,	
SW905	3404-000244	SWITCH-TACT;15V,20MA,90-170GF,	
SW906	3404-000295	SW-TACT,V;KPT1122R1KEYSTT=0.3M	
T401	AA26-50001B	HORIZ.DRIVE;-;7.1MH,102UH,10-2	
T444	L7000-0032	TRANS-FLYBACK;FSV14A00114INCH	LOCAL
T801	AA26-20007L	TRANS-SWITCHING;120V,125/12.5,UL/CSA,EAE	
TU01	AA40-10005T	TUNER-F/S;TECC1070PG26A(S),NTS	
V999	3704-001089	SOCKET CRT;9P,22.5PI,12PI,SN,13"	
X201	2801-000226	CRYSTAL-UNIT;3.579545MHZ,20PPM	
X202	2802-000172	RESONATOR-CERAMIC;503.5KHZ,0.5	
X901*	2801-003224	CRYSTAL-UNIT;32.768KHZ,20PPM,2	
Z201	2903-001022	FILTER-CERAMIC;TR,4.5MHZ	
Z601	2903-000135	FILTER-CERAMIC;BP,4.5MHZ	

### ASSY- ACCESSORY

A/ROD	L7000-0132	ANT-RODVHF;4SDODIPOLE850MMBRN	LOCAL
T/MATC	L2759-115-040	TRANS-MATCHING;R300-R75(C,R-MU	LOCAL
I/B	AA68-11250A	INSTRCTION-BOOK;K15A,ENG,TM59,205X150,AP	

### ASSY- CRT

C-Y	AA27-60001L	MAGNET-CONVERGENCE;-;NY-225,22	
SPACER	AA63-60028A	SPACER-DY;-;NEOPRENE;-;BLK,V0W	
CRT	D2019-400-083	CRT-COLOR;-;A34KQV42X,+380MG,1	LOCAL
D-Y	L7000-0005	DEFL-YOKE(SEMSA);DSE-1422FL	LOCAL

### REMOCON

RMT	AA59-10107D	REMOCON;TM59,RM322,36,?????	
-----	-------------	-----------------------------	--

### ASSY- CABINET

* AA92-30161L	ASSY-CABINET,FRONT;CT-3373,VO,WHT,S/V,85		
CB+CF	6002-000514	SCREW-TAPPING;RH,+;2,M4,L15,ZP	
KC+CF	6002-000514	SCREW-TAPPING;RH,+;2,M4,L15,ZP	
D-COIL	AA27-20003U	DEGAUSSING-COIL;14",16.4OHM,75T	
PA+CF	AA60-10002A	SCREW-TAPPING;-;RH,+;M4,L12,ZP	
CRT+CF	AA60-10050R	SCREW-ASSY;WC,HH,+M5,L31.5,SWR	
SPRING	AA61-60003J	SPRING-CS;-;SUS304,0.5,OD6,H	
SPFSPK	AA63-60001Z	SPACER-FELT;-;FELT,T1.0,-;35X8	
KNOPOV	AA64-10137F	KNOB-POWER;-;ABS,HB,WHT,-;3373	
WINDOW	AA64-40051A	WINDOW-REMOCON;-;ABS,HB,-;NO-S	
INLED	AA64-40184A	INDICATOR-LED;-;ACRYL,-;33	
BADGE	AA64-70009H	BADGE-BRAND;-;AL,-;L40,W/G,R80	
F/C	L2001-0135-08	CABINET-FRONT;ABS VO WHT TXH1373 15A	LOCAL
B/C	L2001-0136-03	CABINET-BACK;ABSVOWHTTXD1373	LOCAL
BOSS	L3113-0003-02	BOSS-CABINET;ABSVOWHTTXD1373	LOCAL
KNOCON	L4082-0186-01	KNOB-CONTROL;ABSHBWHHTXD1373	LOCAL

### ASSY- SPEAKER

* AA96-10014A	ASSY-SPEAKER;8OHM,2.5W,3(2),F/200		
SPK	3001-000281	SPEAKER-GENERAL;2.5W8OHM77MM77	
L/SPK	L3058-003-008	LEAD-CONNECTOR,ASSY;-;67096-00,200MM,3(2)	LOCAL

	Loc No	TXH1373/UCX, TXH1373/CCX		TXH1973/CCX		Remarks
		Code No.	Description & Specification	Code No.	Description & Specification	
ASSY-MAIN	C301	2301-000226	C-FILM,PEF;27NF,5%,100V,7.3X4X	2301-000223	C-FILM,PEF;22NF,5%,100V,7.2X4.	
	C305	2305-000427	C-FILM,MPEF;47NF,5%,100V,7.5X1	2301-000310	C-FILM,PEF;68NF,5%,50V,8.0X8.5	
	C402	2306-000253	C-FILM;CF922P1.6KVT722-JBUP	2306-000355	C-FILM;CF922P1.6KVT742-JBUP	
	C404	2306-000004	C-FILM,MPPF;330NF,5%,250V,TP,2	2306-000193	C-FILM,MPPF;360NF,5%,200V,-,7.	
	R204	2001-000995	R-CARBON;820OHM,5%,1/8W,AA,TP,	2001-000221	R-CARBON;1.2KOHM,5%,1/8W,AA,TP	
	R205	2001-000995	R-CARBON;820OHM,5%,1/8W,AA,TP,	2001-000221	R-CARBON;1.2KOHM,5%,1/8W,AA,TP	
	R206	2001-000995	R-CARBON;820OHM,5%,1/8W,AA,TP,	2001-000221	R-CARBON;1.2KOHM,5%,1/8W,AA,TP	
	R214	2001-000290	R-CARBON;10KOHM,5%,1/8W,AA,TP,	2001-000331	R-CARBON;12KOHM,5%,1/8W,AA,TP,	
	R226	2001-000397	R-CARBON;180KOHM,5%,1/8W,AA,TP	2001-000508	R-CARBON;220KOHM,5%,1/8W,AA,TP	
	R303	X		2004-001990	R-METAL;62KOHM,5%,1/8W,AA,TP,1	
	R304	2003-001036	R-METALOXIDE(S);3.3OHM,5%,2W,A	2003-000436	R-METALOXIDE(S);1.5OHM,5%,1W,A	
	R305	2001-000660	R-CARBON;33KOHM,5%,1/8W,AA,TP,	2004-001213	R-METAL;7.5KOHM,5%,1/8W,AA,TP,	
	R306	2004-001301	R-METAL;82KOHM,5%,1/8W,AA,TP,1	2001-000766	R-CARBON;43KOHM,5%,1/8W,AA,TP,	
	R307	2001-000679	R-CARBON;36KOHM,5%,1/8W,AA,TP,	X		
	R308	2001-000633	R-CARBON;30KOHM,5%,1/8W,AA,TP,	2004-001990	R-METAL;62KOHM,5%,1/8W,AA,TP,1	
	R309	2003-000649	R-METALOXIDE(S);330OHM,5%,1W,A	2003-001043	R-METALOXIDE(S);510OHM,5%,1W,A	
	R404	2001-000020	R-CARBON(S);22OHM,5%,1/2W,AA,T	2001-001136	R-CARBON(S);36OHM,5%,1/2W,AA,T	
	R411	2004-001377	R-METAL(S);120KOHM,1%,1/2W,AA,	2004-001373	R-METAL_FILM;RM1/2T100K-F	
	R412	2004-001377	R-METAL(S);120KOHM,1%,1/2W,AA,	2004-001373	R-METAL_FILM;RM1/2T100K-F	
	R413	2001-003019	R-CARBON(S);0.39OHM,10%,1/2W,A	X		
	R518	2008-000206	R-FUSIBLE(S);1OHM,5%,1/2W,AF,T	2008-000266	R-FUSIBLE(S);1OHM,5%,2W,AF,TP,	
	R518A	2008-000252	R-FUSIBLE(S);0.47OHM,10%,1/2W,	X		
	RU10	2001-000780	R-CARBON;470OHM,5%,1/8W,AA,TP,	2004-001193	R-METAL;680OHM,5%,1/8W,AA,TP,1	
T444	L7000-0032	TRANS-FLYBACK;FSV14A00114INCH	L7000-0026	TRANS-FLYBACK(SEM);FSV20A001		
V999	3704-001089	SOCKET CRT;9P,22.5PI,12PI,SN,1	3704-001090	SOCKET-CRT;9P,15.24PI,26.5PI,S		
SPEAKER	ASSY	AA96-10014A	ASSY-SPEAKER;8OHM,2.5W,3(2),F/	AA96-10141A	ASSY-SPEAKER;3W,8OHMX1,700	
	SPK	3001-000281	SPEAKER-GENERAL;2.5W8OHM7MM77	3001-000191	SPEAKER;3W,8OHM,90DB,180HZ	
	SPK/L	L3058-003-008	LEAD-CONNECTOR,ASSY;-67096-00,	AA39-20501C	LEAD CONNECTOR-ASSY;-67096-00	
ASSY-CRT	CRT	D2019-400-083	CRT-COLOR;-A34KQV42X,+380MG,1	AA03-10029W	CRT;A48KRD82X(H),+380MG,SEMI-T	
	D-Y	L7000-0005	DEFL-YOKE(SEMSA);DSE-1422FL	AA27-50004W	D-Y;20",HI-TRON CRT	
	C-Y	AA27-60001L	MAGNET-CONVERGENCE;-NY-225,22	AA27-60001D	MAGNET-CONVERGENCE;-JH-291-(J	
REMOCON	RMT	AA59-10107D	REMOCON;TM59,RM322,36,?????	AA59-10100B	REMOCON;TM58,RM322,36,L/GRY,EX	
POWER CORD	P-CORD	AA39-10003X	POWER-CORD;-KKP-10W,SPT-2,2.1	L3000-0002	POWER-CORD,AC;MSP-10W/SPT-2/F,	
	H-CORD	X		AA61-20070A	HOLDER-CORD;PP,VO,BLK,KE-0002	

	Loc No	TXH1373/UCX, TXH1373/CCX		TXH1973/CCX		Remarks
		Code No.	Description & Specification	Code No.	Description & Specification	
CABINET	BACK	AA92-30161L	ASSY-CABINET,FRONT,CT-3373,VO,	AA92-30161S	ASSY-CABINET,FRONT,CT-5073,VO,	
		L2001-0136-030	CABINET-BACK;ABSVOWHTTXD1373	L2001-0130-000	CABINET-BACK;HIPVOBLACKCT-507	
	BADGE	AA64-70009H	BADGE-BRAND;-AL,-L40,W/G,R80	AA64-70015A	BADGE-BRAND;-AL,-L45,SILVER,	
	BOSS-C	L3113-0003-021	BOSS-CABINET;ABSVOWHTTXD1373	L3113-0003-011	BOSS-CABINET;HIPVOBLKCT-5073	
	D-COIL	AA27-20003U	DEGAUSSING-COIL;14",16.4OHM,75	LA27-20003F	COIL-DEGAUSSING;20",6.2,30T,23	
	FRONT	L2001-0135-081	CABINET-FRONT;ABS VO WHT TXH13	L2001-0129-021	CABINET-FRONT;HIPS VO BLK PA10	
	GRI/W	X		AA63-50096A	GRILLE-WOOFER;DP,-,-,-,AA63-	
	INDLED	AA64-40184A	INDICATOR-LED;-ACRYL,-,-,33	AA64-40182A	INDICATOR-LED;-ACRYL,-,-,50	
	KNOCON	L4082-0186-010	KNOB-CONTROL;ABSHBWHHTTXD1373	L4082-0271-000	KNOB-CONTROL;ABS,HBBLKCT-5073	
	KNOPOW	AA64-10137F	KNOB-POWER;-ABS,HB,WHT,-,3373	AA64-10131B	KNOB-POWER;-ABS,HB,BLK,-,5073	
	SPA	AA63-60001Z	SPACER-FELT;-FELT,T1.0,-,35X8	AA63-60001U	SPACER-FELT;-FELT,T0.5,-,150X	
	SPRING	AA61-60003J	SPRING-CS;-SUS304,0.5,OD6,H	AA61-60003T	SPRING-CS;-SUS304,0.5,OD7,H	
	STOPP	X		AA61-40007A	STOPPER-PCB;-ABSHB,-,NTR,50	
	WIN/RE	AA64-40051A	WINDOW-REMOCON;-ABS,HB,-,NO-S	AA64-40044A	WINDOW-REMOCON;-ABS,HB,-,NO-S	
ACCESSORY	MACH/T	L2759-115-040	TRANS-MATCHING;R300-R75(C,R-MU			SEA Only
	I/B	AA68-11250A	INSTRCTION-BOOK;K15A,ENG,TM59,			
	MACH/T			L2759-115-050	TRANS-MATCHING;R300-R75CSA	SEA Only
	I/B			AA68-11252A	INSTRCTION-BOOK;K15A,FRENCH,TM	
	I/B			AA68-11252B	INSTRCTION-BOOK;K15A,ENG-CAN,T	
	I/B			AA68-11252C	INSTRCTION-BOOK;K15A,FRE,TM58,	
I/B			AA68-11252D	INSTRCTION-BOOK;K15A,ENG,TM58-		

7-7. TXH1386/UCX, TXH1986/UCX

Loc	Part-No	Description & Specification	Remarks	Loc	Part-No	Description & Specification	Remarks
<b>ASSY- PCB,MAIN</b>							
	* AA94-10133F	ASSY-PCB,MAIN(COM);K15A(0),S/V,13",MONO,	S.N.A	△	C402	2306-000253 C-FILM;CF922P1.6KVT722-JBUP	TXH1386
				△	C402	2306-000355 C-FILM;CF922P1.6KVT742-JBUP	TXH1986
C101	2202-000127	C-CERAMIC,MLC-AXIAL;10NF,+80-2		C403	2201-000991 C-CERAMIC,HIC;CK45(T)B2KV561-K		
C102	2401-000660	C-ELECTROLYTIC;CE04WTAPG50V2.2		C404	2306-000004 C-FILM,MPPF;330NF,5%,250V,TP,2	TXH1386	
C104	2202-000127	C-CERAMIC,MLC-AXIAL;10NF,+80-2		C404	2306-000193 C-FILM,MPPF;360NF,5%,200V,-,7.	TXH1986	
C108	2401-000480	C-AL;10UF,20%,50V,GP,5X11MM,5M		C405	2305-000704 C-M,POLYESTER;CFS922MTAPG250V1		
C110	2401-000808	C-AL;220UF,20%,16V,GP,8X11MM,5		C406	2201-000556 C-CERAMIC,DISC;470PF,10%,500V,		
C151	2202-000127	C-CERAMIC,MLC-AXIAL;10NF,+80-2		C407	2401-001429 C-ELECTROLYTIC;CE04WTAPG50V470		
C153	2202-000127	C-CERAMIC,MLC-AXIAL;10NF,+80-2		C408	2201-000556 C-CERAMIC,DISC;470PF,10%,500V,		
C201	2201-000292	C-CERAMIC,DISC;1NF,10%,50V,Y5P		C409	2401-001998 C-AL;1000UF,20%,25V,GP,TP,10X20		
C202	2401-001333	C-ELECTROLYTIC;CE04WTAPG50V0.4		C410	2301-000224 C-FILM,PEF;22NF,5%,50V,7.4X3.9		
C203	2401-001495	C-AL;47UF,20%,16V,GP,5X11MM,5M		C411	2201-000556 C-CERAMIC,DISC;470PF,10%,500V,		
C204	2301-000188	C-FILM,PEF;1NF,5%,100V,10.5X12		C412	2401-000927 C-AL;22UF,20%,250V,GP,13X20MM,		
C205	2401-001333	C-ELECTROLYTIC;CE04WTAPG50V0.4		C413	2401-000560 C-AL;1UF,20%,160V,GP,GT,6.3,11MM		
C206	2305-001011	C-FILM,MPEF;22NF,5%,100V,3.5X12.5X7.5MM,		C444	2201-000441 C-CERAMIC,DISC;3.3NF,10%,500V,		
C207	2401-001333	C-ELECTROLYTIC;CE04WTAPG50V0.4		C445	2201-000441 C-CERAMIC,DISC;3.3NF,10%,500V,		
C209	2305-000665	C-FILM;CF922N63VT104-J-40/1053		C501	2202-000821 C-CERAMIC,MCL-AXIAL;560PF,10%,50V,Y5P,TP		
C210	2305-000665	C-FILM;CF922N63VT104-J-40/1053		C502	2202-000862 C-CERAMIC;CCOASL50VT391-JUP050		
C211	2305-000665	C-FILM;CF922N63VT104-J-40/1053		C503	2202-000825 C-CERAMIC,MLC-AXIAL;680PF,10%,50V,Y5P,TP		
C212	2201-000982	C-CERAMIC,DISC;10NF,+80-20%,50		C505	2201-002063 C-CERAMIC,MCL-AXIAL;10NF,-20,+80%,3KV,Y5		
C213	2201-000193	C-CERAMIC,DISC;10PF,0.25PF,50V		C601	2401-000962 C-ELECTROLYTIC;CE04WTAPG50V22M-		
C214	2401-000660	C-ELECTROLYTIC;CE04WTAPG50V2.2		C603	2301-000289 C-FILM,PEF;5.6NF,5%,50V,6.5X5.		
C215	2401-001840	C-AL;100UF,20%,16V,GP,TP,6.3X1		C604	2401-000660 C-ELECTROLYTIC;CE04WTAPG50V2.2		
C216	2201-000354	C-CERAMIC,DISC;20PF,5%,50V,NPO		C605	2305-000665 C-FILM;CF922N63VT104-J-40/1053		
C218	2301-000181	C-FILM,PEF;18NF,5%,50V,7.1X3.5		C609	2401-000133 C-AL;1000UF,20%,16V,GP,13X20MM		
C219	2401-000603	C-AL;1UF,20%,50V,GP,5X11MM,5MM		C611	2202-000279 C-CERAMIC,MLC-AXIAL;47PF,5%,50		
C220	2401-000480	C-AL;10UF,20%,50V,GP,5X11MM,5M		C612	2202-000279 C-CERAMIC,MLC-AXIAL;47PF,5%,50		
C221	2401-002462	C-ELECTROLYTIC;CE04WTAPG16V33M		C651	2401-000660 C-ELECTROLYTIC;CE04WTAPG50V2.2		
C222	2305-000665	C-FILM;CF922N63VT104-J-40/1053		C654	2401-001363 C-AL;470UF,20%,16V,GP,TP,10X12		
C225	2401-000480	C-AL;10UF,20%,50V,GP,5X11MM,5M		C701	2305-000665 C-FILM;CF922N63VT104-J-40/1053		
C226	2401-000603	C-AL;1UF,20%,50V,GP,5X11MM,5MM		C702	2401-000471 C-AL;10UF,20%,50V,BP,6X11MM,5M		
C227	2305-000665	C-FILM;CF922N63VT104-J-40/1053		C703	2202-000183 C-CERAMIC;CKOAX7R16VT222-MEP05		
C229	2202-000127	C-CERAMIC,MLC-AXIAL;10NF,+80-2		C705	2202-000183 C-CERAMIC;CKOAX7R16VT222-MEP05		
C230	2305-000665	C-FILM;CF922N63VT104-J-40/1053		C801	2401-000822 C-ELECTROLYTIC;CE04W200V220U-H		
C231	2401-001495	C-AL;47UF,20%,16V,GP,5X11MM,5M		C802	2201-000119 C-CERAMIC,DISC;100NF,+80-20%,5		
C232	2401-001495	C-AL;47UF,20%,16V,GP,5X11MM,5M		C803	2303-000163 C-FILM,PPF;2.2NF,5%,800V,-,T		
C233	2401-000480	C-AL;10UF,20%,50V,GP,5X11MM,5M		△	C804	2201-000987 C-CERAMIC,AC;CK45PE400V222-M(T	
C234	2301-000264	C-FILM,PEF;4.7NF,5%,50V,6.5X5.		C805	2201-000991 C-CERAMIC,HIC;CK45(T)B2KV561-K		
C235	2202-000279	C-CERAMIC,MLC-AXIAL;47PF,5%,50		C806	2401-000262 C-AL;100UF,20%,160V,GP,16X25MM,5MM,		
C236	2202-000127	C-CERAMIC,MLC-AXIAL;10NF,+80-2		C807	2201-000599 C-CERAMIC,DISC;560PF,10%,500V,		
C237	2202-000154	C-CERAMIC,MLC-AXIAL;150PF,10%,		C808	2301-000223 C-FILM,PEF;22NF,5%,100V,7.2X4.		
C301	2301-000223	C-FILM,PEF;22NF,5%,100V,7.2X4.	TXH1986	C809	2401-001998 C-AL;1000UF,20%,25V,GP,TP,10X20		
C301	2301-000226	C-FILM,PEF;27NF,5%,100V,7.3X4X12.5MM,5MM	TXH1386	C810	2305-000412 C-FILM,MPEF;470NF,5%,63V,-,5MM		
C302	2201-000556	C-CERAMIC,DISC;470PF,10%,500V,		C812	2401-001840 C-AL;100UF,20%,16V,GP,TP,6.3X1		
C303	2202-000127	C-CERAMIC,MLC-AXIAL;10NF,+80-2		△	C813	2401-001495 C-AL;47UF,20%,16V,GP,5X11MM,5M	
C304	2401-000553	C-AL;1UF,10%,50V,GP,5X11MM,5MM		C814	2306-000318 C-FILM,MPPF;220NF,20%,250V,-,2		
C305	2301-000310	C-FILM,PEF;68NF,5%,50V,8.0X8.5	TXH1986	C816	2401-000480 C-AL;10UF,20%,50V,GP,5X11MM,5M		
C305	2305-000427	C-FILM,MPEF;47NF,5%,100V,7.5X1	TXH1386	C817	2401-001840 C-AL;100UF,20%,16V,GP,TP,6.3X1		
C306	2401-002458	C-AL;1000UF,20%,35V,GP,16X25MM		△	C819	2201-000963 C-CERAMIC;CK45Y5U400VACT102-MH	
C308	2301-000310	C-FILM,PEF;68NF,5%,50V,8.0X8.5		C820	2401-001998 C-AL;1000UF,20%,25V,GP,TP,10X20		
C309	2401-000360	C-AL;100UF,20%,50V,GP,8X11MM,5		C821	2401-001486 C-AL;47UF,20%,160V,HR,13X20MM,5MM,T		
C310	2401-000480	C-AL;10UF,20%,50V,GP,5X11MM,5M		C822	2301-000192 C-FILM,PEF;1NF,5%,50V,5.3X10MM		
C311	2401-001333	C-ELECTROLYTIC;CE04WTAPG50V0.4		C823	2201-000370 C-CERAMIC,DISC;220PF,10%,50V,Y5P,TP		
C312	2401-000553	C-AL;1UF,10%,50V,GP,5X11MM,5MM		C851	2401-001571 C-ELECTROLYTIC;CE04WTAPG50V47-		
C313	2305-000470	C-FILM,MPEF;68NF,5%,100V,-,5MM		C852	2301-000310 C-FILM,PEF;68NF,5%,50V,8.0X8.5		
C401	2301-000224	C-FILM,PEF;22NF,5%,50V,7.4X3.9		C901	2401-001495 C-AL;47UF,20%,16V,GP,5X11MM,5M		
				C902	2202-000796 C-CERAMIC,MLC-AXIAL;1NF,10%,50		
				C903	2401-000480 C-AL;10UF,20%,50V,GP,5X11MM,5M		

Loc	Part-No	Description & Specification	Remarks	Loc	Part-No	Description & Specification	Remarks
C904	2202-000796	C-CERAMIC,MLC-AXIAL;1NF,10%,50		D906	0403-000296	DIODE-ZENER;EQA02-06A/MTZ5.6B(	
C905	2401-001333	C-ELECTROLYTIC;CE04WTAPG50V0.4		DU01	0402-000132	DIODE-RECTIFIER;1N4004,400V,1A,DO-41	
C907	2401-001271	C-ELECTROLYTIC;CE04WTAPG50V4.7		DX01	0403-000297	DIODE-ZENER;EQA02-06D/MTZ6.2B(	
C908	2201-000193	C-CERAMIC,DISC;10PF,0.25PF,50V		DX02	0402-000132	DIODE-RECTIFIER;1N4004,400V,1A,DO-41	
C909	2201-000573	C-CERAMIC,DISC;47PF,5%,50V,NPO		DZ801	1405-000152	VARIATOR;560V,2500A,14X8.5MM,T	
C911	2401-000480	C-AL;10UF,20%,50V,GP,5X11MM,5M		DZ802	0403-000300	DIODE-ZENER;MTZ8.2B,7.78-.19V,	
C912	2301-000310	C-FILM,PEF;68NF,5%,50V,8.0X8.5		DZ803	0403-000296	DIODE-ZENER;EQA02-06A/MTZ5.6B(	
C914A	2401-000947	C-AL;22UF,20%,35V,GP,5X11MM,-,		DZ806	0403-000294	DIODE-ZENER;MTZ4.7B,4.55-4.80V,500MV,DO-	
C915	2202-000127	C-CERAMIC,MLC-AXIAL;10NF,+80-2		DZ807	0403-000297	DIODE-ZENER;EQA02-06D/MTZ6.2B(	
CE01	2401-000480	C-AL;10UF,20%,50V,GP,5X11MM,5M		DZ901	0403-000296	DIODE-ZENER;EQA02-06A/MTZ5.6B(	
CLW/HS	AA65-30003A	CLAMP-WIRE;-NYLON-66,V0,NTR,V		DZ902	0403-000296	DIODE-ZENER;EQA02-06A/MTZ5.6B(	
CN501	L6434-0084-03	CONNECTORASSY;B8XB8300M1007#26	LOCAL	DZ903	0403-000295	DIODE-ZENER;MTZ5.1B	
CN603	3711-002642	POST-HEADER;67094-003(AUTO)		F801	3601-001012	FUSE-FERRULE;250V,4A,SLOW-BLOW	
CN701	3711-002646	POST-HEADER;67094-007(AUTO)		F801A	3602-000114	FUSE-HOLDER;-,-,30MOHM	
CN704	L6434-0010-04	CONNECTORASSY;B7XS7150MM1007#2	LOCAL	F801B	3602-000114	FUSE-HOLDER;-,-,30MOHM	
CONN	L6434-0084-00	CONNECTORASSY;B8XB8400MM1007#2	TXH1986	GT101A	AA39-20010D	LEAD-CONNECTOR,ASSY;-YFH800-01,S,1P,400	
CU02	2305-000665	C-FILM;CF922N63VT104-J-40/1053		H-CORD	AA61-20070A	HOLDER-CORD;PP,VO,BLK,KE-0002	
CU10	2401-000832	C-AL;220UF,20%,25V,GP,8X11MM,5		IC201	1204-001296	IC-CHROMA;KA2163B,DIP,56P,-,PL	
CX01	2202-000127	C-CERAMIC,MLC-AXIAL;10NF,+80-2		IC301	1204-000475	IC;KA2131	H/SINK
CX02	2401-000480	C-AL;10UF,20%,50V,GP,5X11MM,5M		IC601	1201-001298	IC-POWER AMP;4425,SIP,5P,9.5MIL,MONO,45D	H/SINK
CX03	2401-000480	C-AL;10UF,20%,50V,GP,5X11MM,5M		IC801	1203-001493	IC-PEM CONTROLLER;3S0765RF,TO3PF-5L,5,21	H/SINK
CX04	2201-000556	C-CERAMIC,DISC;470PF,10%,500V,		IC802	1203-001532	IC-SWREGU;IC KA1731	
D101	0403-000700	DIODE-ZENER;TZP33A,33V,31-35V,		IC901	AA13-30020A	IC-MCU;-Z8933412PSC-R3757,16BIT,SDIP	
D102	0403-000296	DIODE-ZENER;EQA02-06A/MTZ5.6B(		IC902	1103-001107	IC-EEPROM;24C020,256X8BIT,DIP,8P,300MIL	
D103	0402-000132	DIODE-RECTIFIER;1N4004,400V,1A,DO-41		JA601	3722-000143	JACK-PHONE;1P,3.4MM,-,MBAG	
D201	0403-000663	DIODE-ZENER;MTZ3.3B,3.3V,3.32-		JA701	3722-000162	JACK-PIN;2P,3.4MM,-,SN	
D202	0401-000005	DIODE;1N4148TAPG		JA703	3722-000184	JACK-RCA;2P,3.4MM,-,AG	
D203	0401-000005	DIODE;1N4148TAPG		JU13	2001-000429	R-CARBON;1KOHM,5%,1/8W,AA,TP,1	
D204	0401-000005	DIODE;1N4148TAPG		L102	2701-000207	INDUCTOR-AXIAL;56UH,5%,2.5X3.4	
D205	0403-000295	DIODE-ZENER;MTZ5.1B		L152	2701-000326	INDUCTOR AXIAL;560NH,10%,2.3X3.4MM	
D206	0401-000005	DIODE;1N4148TAPG		L201	AA26-10004K	TRANS-IF;-7MG,SIF;-7MM,100PF	
D207	0401-000005	DIODE;1N4148TAPG		L202	2701-000207	INDUCTOR-AXIAL;56UH,5%,2.5X3.4	
D208	0402-000132	DIODE-RECTIFIER;1N4004,400V,1A,DO-41		L203	2701-000158	INDUCTOR-AXIAL;22UH,10%,2.5X3.	
D210	0403-000563	DIODE-ZENER;MTZ9.1B,9.1V,8.57-		L204	2701-000207	INDUCTOR-AXIAL;56UH,5%,2.5X3.4	
D299	0403-000654	DIODE-ZENER;MTZ12,12V,11.4-12.		L205*	AA26-10004C	TRANS-IF;-7MG,VIF,0.37UH,7MM,	
D301	0402-001105	DIODE-RECTIFIER;ERB43-04SV1,40		L206	2701-000111	INDUCTOR-AXIAL;100UH,10%,2.5X3	
D302	0403-000654	DIODE-ZENER;MTZ12,12V,11.4-12.		L208	2701-000114	INDUCTOR-AXIAL;10UH,10%,2.5X3.	
D401	0402-000132	DIODE-RECTIFIER;1N4004,400V,1A,DO-41		L301	2701-000116	INDUCTOR-AXIAL;10UH,10%,4.2X9.	
D402	0402-000132	DIODE-RECTIFIER;1N4004,400V,1A,DO-41		L401	AA27-30001B	COIL-LINEARITY;-;195UH,QIC1010	
D403	0402-001105	DIODE-RECTIFIER;ERB43-04SV1,40		L402	2701-001032	INDUCTOR-AXIAL;100UH,10%,5X14MM	
D404	0402-001105	DIODE-RECTIFIER;ERB43-04SV1,40		L501	2701-000184	INDUCTOR-AXIAL;4.7UH,10%,2.5X3.4MM	
D405	0402-001105	DIODE-RECTIFIER;ERB43-04SV1,40		L502	2701-000184	INDUCTOR-AXIAL;4.7UH,10%,2.5X3.4MM	
D407	0402-001105	DIODE-RECTIFIER;ERB43-04SV1,40		L503	2701-000184	INDUCTOR-AXIAL;4.7UH,10%,2.5X3.4MM	
D601	0401-000005	DIODE;1N4148TAPG		L601	2901-000297	FILTER-EMIBEAD;HF70ZBF3.5X5X0.	
D701	0403-000563	DIODE-ZENER;MTZ9.1B,9.1V,8.57-		L602	2701-000158	INDUCTOR-AXIAL;22UH,10%,2.5X3.	
D703	0403-000563	DIODE-ZENER;MTZ9.1B,9.1V,8.57-		L801	AA29-30001R	FILTER-LINE;-6MH,2.0A,-,SQ191	
D704	0403-000563	DIODE-ZENER;MTZ9.1B,9.1V,8.57-		L802	3301-000287	CORE-FERRITEBEAD;AA,3.5X1.0X6.	
D802	0402-000540	DIODE-RECTIFIER;RU20A,600V,1.5		L803	2901-000297	FILTER-EMIBEAD;HF70ZBF3.5X5X0.	
D803	0402-001105	DIODE-RECTIFIER;ERB43-04SV1,40		L804	3301-000287	CORE-FERRITEBEAD;AA,3.5X1.0X6.	
D805	0402-000213	DIODE-RECTIFIER;ERB12-06,600V,		L805	2008-001058	R-FUSIBLE(S);0.18OHM,10%,1W,AF	
D806	0401-000005	DIODE;1N4148TAPG		L809	2901-000299	FILTER-EMIBEAD;BL02RN2-R65T2DB	
D807	0402-000213	DIODE-RECTIFIER;ERB12-06,600V,		L810	AA27-10002Y	COIL-CHOK;-;100UH,K,10,700MA,	
D808	0402-000213	DIODE-RECTIFIER;ERB12-06,600V,		L811	2901-000299	FILTER-EMIBEAD;BL02RN2-R65T2DB	
D809	0402-000213	DIODE-RECTIFIER;ERB12-06,600V,		L901	2701-000197	INDUCTOR-AXIAL;5.6UH,10%,2.5X3	
D810	0402-000213	DIODE-RECTIFIER;ERB12-06,600V,		L902	2701-000114	INDUCTOR-AXIAL;10UH,10%,2.5X3.	
D814	0402-000534	DIODE-RECTIFIER;RG10V,400V,1.5		L910	2901-000299	FILTER-EMIBEAD;BL02RN2-R65T2DB	
D855	0403-000296	DIODE-ZENER;EQA02-06A/MTZ5.6B(		L999	2701-000115	INDUCTOR-AXIAL;10UH,10%,2.8X7M	
D856	0403-000296	DIODE-ZENER;EQA02-06A/MTZ5.6B(		LD901	AA96-30007A	ASSY-LED,GUIDE;AA61-50055A,DL-G7GA,GREEN	
D901	0401-000005	DIODE;1N4148TAPG		NT801	1404-000187	THERMISTOR;KL11L4R7-3.5A4.7OHM	
D902	0403-000296	DIODE-ZENER;EQA02-06A/MTZ5.6B(		P801A	1404-000208	POSISTOR;PTH631D02BF7ROM140TDE	
D903	0401-000005	DIODE;1N4148TAPG		PC802	0604-001038	PHOTOCOUPLER;TR,130-260%,200MWW	
D904	0401-000005	DIODE;1N4148TAPG		PWR/AC	L3000-0002	POWER-CORD,AC,MSP-10W/SPT-2/F,BLK-HOU	LOCAL
D905	0403-000296	DIODE-ZENER;EQA02-06A/MTZ5.6B(		Q151	0501-000436	TR-SMALLSIGNAL;KTC3197,NPN,30V	

Loc	Part-No	Description & Specification	Remarks
Q201	0501-002183	TR-SMALL SIG;KTC9014,NPN,625MW,TO-92,100	
Q202	0501-002183	TR-SMALL SIG;KTC9014,NPN,625MW,TO-92,100	
Q203	0501-002183	TR-SMALL SIG;KTC9014,NPN,625MW,TO-92,100	
Q401	0502-001115	TR-POWER;KSC5386,NPN,50W,TO-3PF,ST,8	
Q402	0501-000369	TRANSISTOR;KSC2331-Y(TAPG)	
Q501	0501-002014	TR-SMALLSIGNAL;KSC2330-RNPN	
Q502	0501-002014	TR-SMALLSIGNAL;KSC2330-RNPN	
Q503	0501-002014	TR-SMALLSIGNAL;KSC2330-RNPN	
Q601	0502-000242	TR-POWER;KSA614,PNP,-80V,-55V,	
Q602	0501-002183	TR-SMALL SIG;KTC9014,NPN,625MW,TO-92,100	
Q801	1203-001217	IC-POST,ADJUSTREG;431,TO-92,3P,4.58MIL,P	
Q902	0501-002183	TR-SMALL SIG;KTC9014,NPN,625MW,TO-92,100	
Q903	0501-002183	TR-SMALL SIG;KTC9014,NPN,625MW,TO-92,100	
QU01	0504-000123	TR-DIGITAL;KSR1010,NPN,300MW,1	
QU10	0501-000369	TRANSISTOR;KSC2331-Y(TAPG)	
QX01	0501-000283	TRANSISTOR;KSA539-Y(TAPG)/YTAM	
R101	2001-000290	R-CARBON;10KOHM,5%,1/8W,AA,TP,	
R102	2004-001301	R-METAL;82KOHM,5%,1/8W,AA,TP,1	
R104	2003-001017	R-METALOXIDE(S);220OHM,5%,2W,A	
R105	2003-001017	R-METALOXIDE(S);220OHM,5%,2W,A	
R152	2001-000221	R-CARBON;1.2KOHM,5%,1/8W,AA,TP	
R153	2001-000734	R-CARBON;4.7KOHM,5%,1/8W,AA,TP	
R154	2001-000780	R-CARBON;470OHM,5%,1/8W,AA,TP,	
R155	2001-000281	R-CARBON;100OHM,5%,1/8W,AA,TP,	
R156	2001-000793	R-CARBON;470OHM,5%,1/8W,AA,TP,1	
R157	2001-000568	R-CARBON;270OHM,5%,1/8W,AA,TP,1	
R158	2001-000007	R-CARBON;3KOHM,5%,1/8W,AA,TP,1	
R159	2001-000007	R-CARBON;3KOHM,5%,1/8W,AA,TP,1	
R201	2001-000429	R-CARBON;1KOHM,5%,1/8W,AA,TP,1	
R202	2001-000734	R-CARBON;4.7KOHM,5%,1/8W,AA,TP	
R203	2001-000734	R-CARBON;4.7KOHM,5%,1/8W,AA,TP	
R204	2001-000221	R-CARBON;1.2KOHM,5%,1/8W,AA,TP	TXH1986
R204	2001-000995	R-CARBON;820OHM,5%,1/8W,AA,TP,	TXH1386
R205	2001-000221	R-CARBON;1.2KOHM,5%,1/8W,AA,TP	TXH1986
R205	2001-000995	R-CARBON;820OHM,5%,1/8W,AA,TP,	TXH1386
R206	2001-000221	R-CARBON;1.2KOHM,5%,1/8W,AA,TP	TXH1986
R206	2001-000995	R-CARBON;820OHM,5%,1/8W,AA,TP,	TXH1386
R207	2001-001111	R-CARBON(S);240OHM,5%,1/2W,AA,	
R208	2001-000515	R-CARBON;220OHM,5%,1/8W,AA,TP,	
R209	2001-000515	R-CARBON;220OHM,5%,1/8W,AA,TP,	
R210	2001-000515	R-CARBON;220OHM,5%,1/8W,AA,TP,	
R211	2001-000281	R-CARBON;100OHM,5%,1/8W,AA,TP,	
R212	2001-000281	R-CARBON;100OHM,5%,1/8W,AA,TP,	
R213	2001-000837	R-CARBON;51KOHM,5%,1/8W,AA,TP,	
R214	2001-000290	R-CARBON;10KOHM,5%,1/8W,AA,TP,	TXH1386
R214	2001-000331	R-CARBON;12KOHM,5%,1/8W,AA,TP,	TXH1986
R215	2001-000331	R-CARBON;12KOHM,5%,1/8W,AA,TP,	
R218	2001-000591	R-CARBON;3.3KOHM,5%,1/8W,AA,TP	
R219	2001-000674	R-CARBON;360OHM,5%,1/8W,AA,TP,	
R222	2001-000773	R-CARBON;470KOHM,5%,1/8W,AA,TP	
R223	2001-000780	R-CARBON;470OHM,5%,1/8W,AA,TP,	
R226	2001-000397	R-CARBON;180KOHM,5%,1/8W,AA,TP,	TXH1386
R226	2001-000508	R-CARBON;220KOHM,5%,1/8W,AA,TP	TXH1986
R227	2001-000508	R-CARBON;220KOHM,5%,1/8W,AA,TP	
R228	2001-000258	R-CARBON;1.8KOHM,5%,1/8W,AA,TP	
R229	2001-000258	R-CARBON;1.8KOHM,5%,1/8W,AA,TP	
R230	2001-000591	R-CARBON;3.3KOHM,5%,1/8W,AA,TP	
R231	2001-000660	R-CARBON;33KOHM,5%,1/8W,AA,TP,	
R233	2004-001234	R-METAL;75KOHM,5%,1/8W,AA,TP,1	
R234	2001-000405	R-CARBON;180OHM,5%,1/8W,AA,TP,	
R235	2001-000273	R-CARBON;100KOHM,5%,1/8W,AA,TP	
R236	2001-000548	R-CARBON;270KOHM,5%,1/8W,AA,TP	
R237	2001-000290	R-CARBON;10KOHM,5%,1/8W,AA,TP,	

Loc	Part-No	Description & Specification	Remarks
R239	2004-001213	R-METAL;7.5KOHM,5%,1/8W,AA,TP,	
R240	2001-000577	R-CARBON;2KOHM,5%,1/8W,AA,TP,1	
R241	2001-000429	R-CARBON;1KOHM,5%,1/8W,AA,TP,1	
R242	2001-000221	R-CARBON;1.2KOHM,5%,1/8W,AA,TP	
R251	2001-000591	R-CARBON;3.3KOHM,5%,1/8W,AA,TP	
R252	2001-000591	R-CARBON;3.3KOHM,5%,1/8W,AA,TP	
R253	2001-000591	R-CARBON;3.3KOHM,5%,1/8W,AA,TP	
R257	2008-000252	R-FUSIBLE(S);0.47OHM,10%,1/2W,	
R301	2001-000429	R-CARBON;1KOHM,5%,1/8W,AA,TP,1	
R302	2001-000003	R-CARBON;330OHM,5%,1/8W,AA,TP,	
R303	2001-000864	R-CARBON;56KOHM,5%,1/8W,AA,TP,	TXH1386
R303	2004-001990	R-METAL;62KOHM,5%,1/8W,AA,TP,1	TXH1986
R304	2003-000436	R-METALOXIDE(S);1.5OHM,5%,1W,A	TXH1986
R304	2003-001036	R-METALOXIDE(S);3.3OHM,5%,2W,A	TXH1386
R305	2001-000660	R-CARBON;33KOHM,5%,1/8W,AA,TP,	TXH1386
R305	2004-001213	R-METAL;7.5KOHM,5%,1/8W,AA,TP,	TXH1986
R306	2001-000766	R-CARBON;43KOHM,5%,1/8W,AA,TP,	TXH1986
R306	2004-001301	R-METAL;82KOHM,5%,1/8W,AA,TP,1	TXH1386
R307	2001-000679	R-CARBON;36KOHM,5%,1/8W,AA,TP,	
R308	2001-000633	R-CARBON;30KOHM,5%,1/8W,AA,TP,	TXH1386
R308	2004-001990	R-METAL;62KOHM,5%,1/8W,AA,TP,1	TXH1986
R309	2003-000649	R-METALOXIDE(S);330OHM,5%,1W,A	TXH1386
R309	2003-001043	R-METALOXIDE(S);510OHM,5%,1W,A	TXH1986
R401	2001-000780	R-CARBON;470OHM,5%,1/8W,AA,TP,	
R402	2001-000515	R-CARBON;220OHM,5%,1/8W,AA,TP,	
R403	2001-001114	R-CARBON(S);270OHM,5%,1/2W,AA,	
R404	2001-000020	R-CARBON(S);220OHM,5%,1/2W,AA,T	TXH1386
R404	2001-001136	R-CARBON(S);36OHM,5%,1/2W,AA,T	TXH1986
R405	2003-000540	R-METALOXIDE(S);1KOHM,5%,2W,AD	
R406	2008-001069	R-FUSIBLE(S);300OHM,5%,2W,AA,TP,3.9X10MM	
R407	2003-000994	R-METALOXIDE(S);33KOHM,5%,2W,AF,TP,3.9X1	
R408	2004-001390	R-METAL(S);1KOHM,2%,1/2W,AA,TP	
R409	2008-000253	R-FUSIBLE(S);0.47OHM,5%,1W,AF,	
R410	2008-000206	R-FUSIBLE(S);1OHM,5%,1/2W,AF,T	
R411	2004-001373	R-METAL,FILM;RM1/2T100K-F	TXH1986
R411	2004-001377	R-METAL(S);120KOHM,1%,1/2W,AA,TP,2.4X6.4	TXH1386
R412	2004-001373	R-METAL,FILM;RM1/2T100K-F	TXH1986
R412	2004-001377	R-METAL(S);120KOHM,1%,1/2W,AA,TP,2.4X6.4	TXH1386
R413	2001-003019	R-CARBON(S);0.39OHM,10%,1/2W,A	
R415	2003-000784	R-METAL OXIDE(S);7.5KOHM,5%,2W,AF,TP,3.7	
R416	2001-000022	R-CARBON(S);33OHM,5%,1/2W,AA,T	
R417	2001-001410	R-CARBON;RD1/2T(S)430-J43R	
R444	2001-001099	R-CARBON/METALFILM;RD1/2T2.7K-	
R501	2001-000007	R-CARBON;3KOHM,5%,1/8W,AA,TP,1	
R502	2001-000007	R-CARBON;3KOHM,5%,1/8W,AA,TP,1	
R503	2001-000007	R-CARBON;3KOHM,5%,1/8W,AA,TP,1	
R504	2003-000511	R-METALOXIDE(S);15KOHM,5%,2W,A	
R505	2003-000511	R-METALOXIDE(S);15KOHM,5%,2W,A	
R506	2003-000511	R-METALOXIDE(S);15KOHM,5%,2W,A	
R507	2001-000281	R-CARBON;100OHM,5%,1/8W,AA,TP,	
R508	2001-000281	R-CARBON;100OHM,5%,1/8W,AA,TP,	
R509	2001-000281	R-CARBON;100OHM,5%,1/8W,AA,TP,	
R510	2001-000628	R-CARBON;300OHM,5%,1/8W,AA,TP,	
R511	2001-000628	R-CARBON;300OHM,5%,1/8W,AA,TP,	
R512	2001-000628	R-CARBON;300OHM,5%,1/8W,AA,TP,	
R513	2001-000666	R-CARBON;33OHM,5%,1/8W,AA,TP,1	
R514	2001-000666	R-CARBON;33OHM,5%,1/8W,AA,TP,1	
R515	2002-001006	R-COMPOSITION;RC1/2T4.7K/ERC-	
R517	2001-000666	R-CARBON;33OHM,5%,1/8W,AA,TP,1	
R518	2008-000206	R-FUSIBLE(S);1OHM,5%,1/2W,AF,T	TXH1386
R518	2008-000266	R-FUSIBLE(S);1OHM,5%,2W,AF,TP,	TXH1986
R518A	2008-000252	R-FUSIBLE(S);0.47OHM,10%,1/2W,	
R599	2008-000226	R-FUSIBLE;220OHM,5%,1/2W,AA,TP,4.7X11MM	

Loc	Part-No	Description & Specification	Remarks
R602	2001-000786	R-CARBON;47KOHM,5%,1/8W,AA,TP,	
R603	2001-000786	R-CARBON;47KOHM,5%,1/8W,AA,TP,	
R604	2001-000449	R-CARBON;2.2KOHM,5%,1/8W,AA,TP	
R605	2001-000290	R-CARBON;10KOHM,5%,1/8W,AA,TP,	
R610	2001-000577	R-CARBON;2KOHM,5%,1/8W,AA,TP,1	
R611	2001-000429	R-CARBON;1KOHM,5%,1/8W,AA,TP,1	
R614	2001-001152	R-CARBON/METALFILM;RD1/2T47K-J	
R615	2001-001088	R-CARBON(S);1KOHM,5%,1/2W,AA,TP,2.4X6.4	
R701	2001-001187	R-CARBON(S);75OHM,5%,1/2W,AA,T	
R702	2001-000085	R-CARBON(S);100KOHM,5%,1/2W,AA	
R703	2001-000734	R-CARBON;4.7KOHM,5%,1/8W,AA,TP	
R801	2001-001150	R-CARBON(S);470KOHM,5%,1/2W,AA	
R802	2003-002119	R-METAL OXIDE(S);36KOHM,5%,1W,AF,TP,2.5X	
R803	2003-002119	R-METAL OXIDE(S);36KOHM,5%,1W,AF,TP,2.5X	
△ R805	2002-001013	R-COMPOSITION;4.7MOHM,10%,1/2W,AA,TP,3.7	
R806	2001-001071	R-CARBON(S);12KOHM,5%,1/2W,AA,	
R807	2001-001071	R-CARBON(S);12KOHM,5%,1/2W,AA,	
R808	2001-001150	R-CARBON(S);470KOHM,5%,1/2W,AA	
R809	2008-000205	R-FUSIBLE(S);10OHM,5%,1/2W,AF,	
R811	2001-001170	R-CARBON(S);6.8OHM,5%,1/2W,AB,	
R812	2008-000252	R-FUSIBLE(S);0.47OHM,10%,1/2W,	
R817	2001-001111	R-CARBON(S);240OHM,5%,1/2W,AA,	
R818	2001-001111	R-CARBON(S);240OHM,5%,1/2W,AA,	
R819	2008-001011	R-FUSIBLE(S);0.18OHM,10%,2W,AF	
R821	2004-004089	R-METAL;123KOHM,1%,1/2W,AA,TP,2.5X6.5	
R822	2001-000022	R-CARBON(S);33OHM,5%,1/2W,AA,T	
R823	2001-001178	R-CARBON(S);680OHM,5%,1/2W,AA,	
R824	2001-001125	R-CARBON(S);300KOHM,5%,1/2W,AA	
R852	2001-001088	R-CARBON(S);1KOHM,5%,1/2W,AA,TP,2.4X6.4	
R853	2001-001054	R-CARBON(S);1.6KOHM,5%,1/2W,AB,TP,2.4X6.4	
R854	2004-001983	R-METAL;2.49KOHM,1%,1/2W,AA,TP,2.4X6.4	
R901	2001-000793	R-CARBON;47OHM,5%,1/8W,AA,TP,1	
R902	2001-000429	R-CARBON;1KOHM,5%,1/8W,AA,TP,1	
R903	2001-000281	R-CARBON;100OHM,5%,1/8W,AA,TP,	
R904	2001-000281	R-CARBON;100OHM,5%,1/8W,AA,TP,	
R905	2001-000429	R-CARBON;1KOHM,5%,1/8W,AA,TP,1	
R906	2001-000472	R-CARBON;2.7KOHM,5%,1/8W,AA,TP	
R907	2001-000995	R-CARBON;820OHM,5%,1/8W,AA,TP,	
R908	2001-000232	R-CARBON;1.3KOHM,5%,1/8W,AA,TP	
R910	2001-000995	R-CARBON;820OHM,5%,1/8W,AA,TP,	
R911	2001-000290	R-CARBON;10KOHM,5%,1/8W,AA,TP,	
R913	2004-001193	R-METAL;680OHM,5%,1/8W,AA,TP,1	
R914	2001-000577	R-CARBON;2KOHM,5%,1/8W,AA,TP,1	
R915	2001-000734	R-CARBON;4.7KOHM,5%,1/8W,AA,TP	
R916	2004-001213	R-METAL;7.5KOHM,5%,1/8W,AA,TP,	
R917	2004-001213	R-METAL;7.5KOHM,5%,1/8W,AA,TP,	
R918	2004-001213	R-METAL;7.5KOHM,5%,1/8W,AA,TP,	
R919	2004-001258	R-METAL;8.2KOHM,5%,1/8W,AA,TP,	
R920	2001-000522	R-CARBON;22KOHM,5%,1/8W,AA,TP,	
R921	2001-000290	R-CARBON;10KOHM,5%,1/8W,AA,TP,	
R922	2001-000281	R-CARBON;100OHM,5%,1/8W,AA,TP,	
R923	2001-000281	R-CARBON;100OHM,5%,1/8W,AA,TP,	
R924	2001-000449	R-CARBON;2.2KOHM,5%,1/8W,AA,TP	
R925	2001-000449	R-CARBON;2.2KOHM,5%,1/8W,AA,TP	
R926	2001-000008	R-CARBON;15KOHM,5%,1/8W,AA,TP,	
R927	2001-000290	R-CARBON;10KOHM,5%,1/8W,AA,TP,	
R928	2004-001104	R-METAL;56KOHM,5%,1/8W,AA,TP,1	
R929	2001-000232	R-CARBON;1.3KOHM,5%,1/8W,AA,TP	
R930	2001-000290	R-CARBON;10KOHM,5%,1/8W,AA,TP,	
R931	2001-000429	R-CARBON;1KOHM,5%,1/8W,AA,TP,1	
R932	2001-000290	R-CARBON;10KOHM,5%,1/8W,AA,TP,	
R933	2001-000290	R-CARBON;10KOHM,5%,1/8W,AA,TP,	
R934	0401-000005	DIODE;1N4148TAPG	

Loc	Part-No	Description & Specification	Remarks
R937	2001-000290	R-CARBON;10KOHM,5%,1/8W,AA,TP,	
R940	2001-000708	R-CARBON;39OHM,5%,1/8W,AA,TP,1.8X3.4MM	
R951	2001-000734	R-CARBON;4.7KOHM,5%,1/8W,AA,TP	
R952	2001-000472	R-CARBON;2.7KOHM,5%,1/8W,AA,TP	
R988	2001-000508	R-CARBON;220KOHM,5%,1/8W,AA,TP	
RE01	2001-000117	R-CARBON(S);68OHM,5%,1/2W,AB,T	
RE02	2001-000117	R-CARBON(S);68OHM,5%,1/2W,AB,T	
△ RLU01	3501-001040	RELAYPOWER;12VDC,500MW,10A,1FO	
RM01	2002-001006	R-COMPOSITION;RC1/2T4.7KK/ERC-	
RM02	2002-001006	R-COMPOSITION;RC1/2T4.7KK/ERC-	
RM901	AA59-60001U	MODULE-REMOCON;-;ORC-50VF,38KH	
RU01	2002-001010	R-COMPOSITION;1.8MOHM,10%,1/2W,AA,TP,3	
RU02	2001-000780	R-CARBON;470OHM,5%,1/8W,AA,TP,	
RU06	2001-000397	R-CARBON;180KOHM,5%,1/8W,AA,TP	
RU07	2001-001062	R-CARBON(S);10MOHM,5%,1/2W,AA,	
RU10	2001-000780	R-CARBON;470OHM,5%,1/8W,AA,TP,	TXH1386
RU10	2004-001193	R-METAL;680OHM,5%,1/8W,AA,TP,1	TXH1986
RU11	2001-000290	R-CARBON;10KOHM,5%,1/8W,AA,TP,	
RU12	2001-000734	R-CARBON;4.7KOHM,5%,1/8W,AA,TP	
RU13	2001-000022	R-CARBON(S);33OHM,5%,1/2W,AA,T	
RX01	2001-000397	R-CARBON;180KOHM,5%,1/8W,AA,TP	
RX02	2001-000411	R-CARBON;18KOHM,5%,1/8W,AA,TP,	
RX03	2004-001987	R-METAL;4.3KOHM,1%,1/2W,AA,TP,	
RX04	2004-001376	R-METAL(S);11KOHM,1%,1/2W,AA,T	
RX05	2001-000522	R-CARBON;22KOHM,5%,1/8W,AA,TP,	
RX08	2001-000837	R-CARBON;51KOHM,5%,1/8W,AA,TP,	
SF101	2904-000304	FILTER-SAW;M1859MNTSC/USAVIFST	
SW901	3404-000244	SWITCH-TACT;15V,20MA,90-170GF,	
SW902	3404-000244	SWITCH-TACT;15V,20MA,90-170GF,	
SW903	3404-000244	SWITCH-TACT;15V,20MA,90-170GF,	
SW904	3404-000244	SWITCH-TACT;15V,20MA,90-170GF,	
SW905	3404-000244	SWITCH-TACT;15V,20MA,90-170GF,	
SW906	3404-000295	SW-TACT,V;KPT1122R1KEYSTT=0.3M	
T401	AA26-50001B	HORIZ.DRIVE;-;7.1MH,102UH,10-2	
T444	L7000-0026	TRANS-FLYBACK(SEM);FSV20A001	TXH1986
△ T444	L7000-0032	TRANS-FLYBACK;FSV14A00114INCH	LOCAL
△ T801	AA26-20007L	TRANS-SWITCHING;120V,125/12.5,UL/CSA,EAE	
△ TU01	AA40-10005T	TUNER-F/S;TECC1070PG26A(S),NTS	
△ V999	3704-001089	SOCKET CRT;9P,22.5PI,12PI,SN,13"	TXH1386
△ V999	3704-001090	SOCKET-CRT;9P,15.24PI,26.5PI,S	TXH1986
X201	2801-000226	CRYSTAL-UNIT;3.579545MHZ,20PPM	
X202	2802-000172	RESONATOR-CERAMIC;503.5KHZ,0.5	
X901*	2801-003224	CRYSTAL-UNIT;32.768KHZ,20PPM,2	
Z201	2903-001022	FILTER-CERAMIC,TR,4.5MHZ	
Z601	2903-000135	FILTER-CERAMIC,BP,4.5MHZ	

### ASSY- ACCESSORY

A/ROD	L7000-0132	ANT-RODVHF;4SDODIPOLE850MMBRN	
T/MATC	L2759-115-04C	TRANS-MATCHING;R300-R75(C.R-MU	
I/B	AA68-11253A	INSTRUCTION-BOOK;K15A,ENG,TM58,205X150,AP	

### ASSY- CRT

C-Y	AA27-60001L	MAGNET-CONVERGENCE;-;NY-225,22	TXH1386
SPACER	AA63-60028A	SPACER-DY;-;NEOPRENE,-;BLK,V0W	
△ CRT	D2019-400-08C	CRT-COLOR;-;A34KQV42X,+380MG,1	TXH1386
△ D-Y	L7000-0005	DEFL-YOKE(SEMSA);DSE-1422FL	TXH1386
△ CRT	AA03-10029W	CRT;A48KR82X(H),+380MG,SEMI-T	TXH1986
△ D-Y	AA27-50004W	D-Y;20",HI-TRON CRT	TXH1986
C-Y	AA27-60001D	MAGNET-CONVERGENCE;-;JH-291-(J	TXH1986

Loc	Part-No	Description & Specification	Remarks
-----	---------	-----------------------------	---------

### REMOCON

RMT AA59-10100B REMOCON;TM58,RM322,36,L/GRY,EX,SS

### ASSY- CABINET

	* AA92-30161E	ASSY-CABINET,FRONT;CT-3338,VO,BLK,SV,US	
	* AA92-30161N	ASSY-CABINET,FRONT;CT-5038,VO,	
CB+CF	6002-000514	SCREW-TAPPING;RH,+,2,M4,L15,ZP	
KC+CF	6002-000514	SCREW-TAPPING;RH,+,2,M4,L15,ZP	
D-COIL	AA27-20003U	DEGAUSSING-COIL;14",16.4OHM,75T	TXH1386
D-COIL	LA27-20003F	COIL-DEGAUSSING;20",6.2,30T,23	TXH1986
PA+CF	AA60-10002A	SCREW-TAPPING;-RH,+,M4,L12,ZP	
CRT+CF	AA60-10050C	SCREW-ASSY;WC,HH,+,L30,SWRCH8,	TXH1386
CRT+CF	AA60-10050R	SCREW-ASSY;WC,HH,+,M5,L31.5,SWR	TXH1986
STOPP	AA61-40007A	STOPPER-PCB;-ABSHB,-,NTR,50	TXH1986
GRI/W	AA63-50057A	GRILLE-WOOFER;DP,-,-,-,AA63-	TXH1986
SPRING	AA61-60003J	SPRING-CS;-,-,SUS304,0.5,OD6,H	
BCFELT	AA63-60001U	SPACER-FELT;-FELT,T0.5,-,150X	
SPFSPK	AA63-60001Z	SPACER-FELT;-FELT,T1.0,-,35X8	
KNOPOV	AA64-10153B	KNOB-POWER;-AB,HB,BLK,-,3338	TXH1386
KNOPOV	AA64-10187B	KNOB-POWER;-ABS,HB,BLK,-,5038	TXH1986
WINDOW	AA64-40057A	WINDOW-REMOCON;-ABS,HB,-,33	TXH1386
WIN/RE	AA64-40085A	WINDOW-REMOCON;-ABS,HB,-,NO-S	TXH1986
INLED	AA64-40189A	INDICATOR-LED;-ACRYL,-,-,33	TXH1386
INDLED	AA64-40188A	INDICATOR-LED;-ACRYL,-,-,50	TXH1986
BADGE	AA64-70009F	BADGE-BRAND;-AL,-,L40,SILVER,	TXH1386
BADGE	AA64-70015A	BADGE-BRAND;-AL,-,L45,SILVER,	TXH1986
B/C	L2001-0136-00	CABINET-BACK;HIPSVOBLACKCT-337	LOCAL
BACK	L2001-0130-00	CABINET-BACK;HIPSVOBLACKCT-507	TXH1986
F/C	L2001-0156-02	CABINET-FRONT;HIPS VO BLK PA100	TXH1386 LOCAL
FRONT	L2001-0153-02	CABINET-FRONT;HIPS VO BLK PA10	TXH1986
BOSS	L3113-0003-01	BOSS-CABINET;HIPSVOBLKCT-5073	LOCAL
KNOCON	L4082-0215-00	KNOB-CONTROL;ABSHBBLKCT-3338	LOCAL
KNOCON	L4082-0205-00	KNOB-CONTROL;ABSHBBLKCT-5038	TXH1986

### ASSY- SPEAKER

	* AA96-10014A	ASSY-SPEAKER;8OHM,2.5W,3(2),F/200	TXH1386
△ SPK	3001-000281	SPEAKER-GENERAL;2.5W8OHM77MM77	TXH1386
L/SPK	L3058-003-008	LEAD-CONNECTOR,ASSY;-67096-00,200MM,3(2)	TXH1386
	* AA96-10141A	ASSY-SPEAKER;3W,8OHMX1,700	TXH1986
△ SPK	3001-000191	SPEAKER;3W,8OHM,90DB,180HZ	TXH1986
SPK/L	AA39-20501C	LEAD CONNECTOR-ASSY;-67096-00	TXH1986

Loc	Part-No	Description & Specification	Remarks
-----	---------	-----------------------------	---------

## 8. Block Diagram

