

E:fact[®] Technical Service Data

INDEX

Parts List

- Coils & Transformers
- Miscellaneous
- Controls & Resistors
- Capacitors & Electrolytics
- Cabinet Parts
- Semiconductors, 4 pages

Schematics Location

- Television 2A, 2B
- Television 2C, 2D
- Power Supply 2G
- System Control 2E, 2F
- Placement Chart

To purchase a complete paper version of this service manual, order PHOTOFACT[®] set #3914

To place the order, contact your local Sams Distributor or call our Customer Service operation at 1-800-428-7267.

Product #083914

© Copyright 1999
SAMS Technical Publishing. All rights reserved.

SANYO

Models

AVM-2507
AVM-2507
AVM-2507U
AVM-2507U
DS25730

Chassis

G5C-25070
G5C-25071
G5C-2507U0
G5C-2507U1
25730-00

SCHEMATIC NOTES

For SAFETY use only equivalent replacement part, see parts list.

✕ Circuitry not used in some versions.

--- Circuitry used in some versions.

⊥ Ground

⏏ Chassis ground

∇ Common tie point

△ Taken from common tie point

3 Schematic voltage source tie point.

A— Cabling: Heavy lines reduce use of multiple lines.

Waveforms and voltages are taken from ground, unless noted otherwise.

Waveforms taken with triggered scope and keyed rainbow generator. Waveform voltage is peak to peak. Timebase is per division. Waveforms shown at 10 divisions.

Supply voltages maintained as seen at input.

Voltages measured with digital meter and a 1000μV RF signal, with colorbar pattern, applied to antenna terminal.

Controls adjusted for normal operation.

Capacitors are 50 volts or less, 5% or greater unless noted.

Electrolytic capacitors are 50 volts or less,

20% or greater unless noted.

Resistors are 1/2W or less, 5% or greater unless noted.

Value in () used in some versions.

Measurements with switching as shown, unless noted.

Rated voltage shown on zener diodes.

PARTS LIST

COILS & TRANSFORMERS

Item No.	Function/Rating	Mfr. Part No.
L164	15 μ H	645 003 9713
	15 μ H	645 016 2657
L166	33 μ H	645 003 9812
	33 μ H	645 016 2985
L201	10 μ H	645 001 4567
	10 μ H	645 016 2534
L256	22 μ H	610 029 8347
	22 μ H	645 001 4844
L401	Filter	610 032 4381
	Filter	610 032 4404
	3.3 μ H	645 021 2727
L402	Ferrite Bead	610 031 9998
L404	120 μ H	645 008 2771
	120 μ H	645 016 2626
# L413	Horizontal Linearity	610 000 1046
L801	5.6 μ H	645 008 2894
	5.6 μ H	645 016 3104
L811	5.6 μ H	645 008 0180
L821	5.6 μ H	645 008 2894
	5.6 μ H	645 016 3104
L851	5.6 μ H	645 008 2894
	5.6 μ H	645 016 3104
# L901	Degaussing	610 232 2392
	Degaussing	645 022 8629
# L901 (2)	Degaussing	610 229 3203
	Degaussing	645 022 8629
# L902	Yoke Horiz 1.3mH Vert 16.4mH	610 003 4846
	Yoke	610 003 4853
# L902 (2)	Yoke	645 009 9274
	Yoke	610 003 4846
	Yoke	610 003 4853
L1901	5.6 μ H	645 008 2894
	5.6 μ H	645 016 3104
# LF601	Line Filter	610 031 5938
	Line Filter	610 223 1212
	Line Filter	645 017 6159
T131	FM Detect	645 020 9222
T151	VCO	645 020 9215
# T401	Horizontal Drive	610 000 7901
	Horizontal Drive	610 000 7918
# T402 (1)	Horizontal Output	645 021 2574

For SAFETY use only equivalent replacement part.

(1) Focus and screen controls are part of T402.

(2) Used with chassis G5C-25071 and G5C-2507U1.

PARTS LIST continued

MISCELLANEOUS

Item No.	Description	Mfr. Part No.	Notes
# A101 (1)(2)	Tuner	645 020 9208	UHF/VHF, 1AV4F1BAM0160
# A101H	Block	645 011 9682	Antenna
A1901	Receiver	645 021 1041	Remote
# F601	Fuse	423 018 8101	4Amp, 125V, Fast Acting
	Fuse	423 007 1601	4Amp, 125V, Fast Acting
	Fuse	423 007 1809	4Amp, 125V, Fast Acting
F601A, B	Fuse Holder	645 000 5077	For F601
	Fuse Holder	645 016 0479	For F601
# K701	Socket	610 010 4181	CRT
	Socket	645 017 2588	CRT
# Q901	CRT	414 009 1300	A63AHC26X
	CRT	414 009 2802	A63ADG36X
# Q901 (3)	CRT	413 007 7000	A63AHC26X
# RL601	Relay	645 000 4155	Power
	Relay	645 011 2713	Power
	Relay	645 015 8629	Power
	Relay	645 024 7828	Power
SP901	Speaker	610 055 6614	3" X 3", 8 Ohms, 2W
SW1901	Switch	645 004 3062	Power
SW1902	Switch	645 004 3062	Volume Up
SW1903	Switch	645 004 3062	Volume Down
SW1904	Switch	645 004 3062	Channel Up
SW1905	Switch	645 004 3062	Channel Down
SW1906	Switch	645 004 3062	Preset
# W601	Cord	610 222 9639	AC, Polarized
	Cord	645 023 1667	AC, Polarized
# W601 (4)	Cord	645 007 9092	AC, Polarized
	Cord	645 023 1681	AC, Polarized
X141	Filter	421 006 3206	SAW
X153	Filter	610 015 2946	4.5MHz
X161	Trap	610 015 3059	4.5MHz
X251	Crystal	610 204 4195	3.58MHz
	Crystal	610 245 9746	3.58MHz
	Crystal	610 012 0655	3.58MHz
X401	Crystal	645 020 9147	503.5kHz
X801	Crystal	645 000 6692	8MHz
	Crystal	645 021 5483	8MHz
	Magnet	610 217 7794	Purity/Convergence
	PC Board (1)	610 264 1677	CRT
	PC Board (1)	610 266 5154	Main
	PC Board (1)(3)	610 264 1516	Main
	PC Board (1)(4)	610 266 5147	Main
	PC Board (1)	610 259 0012	Remote Transmitter
	PC Board (1)	610 259 0029	Remote Transmitter
	Transmitter	645 012 6390	Remote
	Transmitter	645 012 6413	Remote
	Wedges	610 117 0154	Yoke Positioning (3 Used)
	Wedges	610 117 7924	Yoke Positioning (3 Used)

For SAFETY use only equivalent replacement part.

(1) Contact PTS Electronics Corporation for replacement; order by manufacturer's part number.

(2) Contact TNI Electronics for replacement; order by part number on tuner.

(3) Used with chassis G5C-25071 and G5C-2507U1.

(4) Used in model DS25730.

PARTS LIST continued

CONTROLS & RESISTORS

Item No.	Function/Rating	Mfr. Part No.	NTE Part No.
# PS601	8.0 Cold PTC	408 000 3203	-
# R101	2.2 5% 1/4W	401 015 6603	QW2D2
# R401, 02	3900 5% 2W	401 068 0207	2W239
# R407	8200 5% 2W	401 069 8202	2W282
# R411	6.8 10% 7W Wirewound	402 076 0401	-
# R418	2700 5% 1W Nonflammable	401 009 1607	1W227
# R421	1650 1% 1/6W	401 052 8608	-
# R422	10K 1% 1/6W	401 052 6802	-
# R423	3300 1% 1/6W	401 053 2605	-
# R481	47 5% 1/2W Nonflammable	401 010 2600	HW047
# R482	1 5% 1/4W Nonflammable	401 011 9004	QW1D0
# R483	1 5% 1/2W Nonflammable	401 006 7701	HW1D0
# R484	2.7 5% 1W	401 060 0403	1W2D7
# R486	33 5% 2W	401 067 4206	2W033
# R487	2.2 5% 1/2W	401 008 3800	HW2D2
# R489	18 5% 2W	401 065 9609	2W018
# R492	33K 1% 1/6W	401 180 8006	-
# R497	1.8 5% 2W	401 064 5701	2W1D8
# R497 (1)	3.9 5% 2W	401 061 0808	2W3D9
# R507	.56 5% 1W	401 057 6104	1WD56
# D511	270 5% 1W	401 060 7402	1W127
# R601	1.8 10% 7W Wirewound	402 072 3109	-
	1.8 10% 8W Wirewound	402 071 3001	-
# R606	47 5% 1/2W Nonflammable	401 010 2600	HW047
# R607	1.8 5% 2W	401 064 5701	2W1D8
# R608, 09	220 5% 10W Wirewound	402 074 7600	10W122
# R610	1.8 5% 2W	401 064 5701	2W1D8
# R621	820 10% 6W Wirewound	402 078 6203	-
# R622	270 5% 2W	401 067 0000	2W127
# R624	330 5% 1W	401 061 2505	1W133
# R711, 12, 13	12K 5% 2W	401 065 4604	2W312

For SAFETY use only equivalent replacement part.

(1) Used with chassis G5C-25071 and G5C-2507U1.

PARTS LIST continued

CAPACITORS & ELECTROLYTICS

Item No.	Rating	Mfr. Part No.
# C411	.012 3% 1.5kV	404 066 4109
# C413, 14 (1)	.22 5% 200V	403 082 8405
C493	2.2 μ F 20% 100V NP	404 056 5307
# C601	.68 20% 275VAC	404 073 7506
	.68 20% 250VAC	404 072 7903
# C604, 05	.001 10% 500V	403 075 7101
# C708	.001 +80% -20% 2kV	403 077 2807
	.001 +100% -0% 2kV	403 175 3409

For SAFETY use only equivalent replacement part.

(1) Not used with chassis G5C-25071 and G5C-2507U1.

PARTS LIST continued

CABINET PARTS

Item	Mfr. Part No.
------	---------------

Models AVM-2507 and AVM-2507U

Badge (SANYO)	610 236 9274
Buttons	610 253 7567
Cabinet Back	610 264 8348
Cabinet Front Assembly	610 266 0432

Model DS25730

Badge (SANYO)	610 237 9274
Buttons	610 263 4587
	610 263 4594
Cabinet Back	610 263 4631
	610 263 4648
Cabinet Front Assembly	610 263 4617
	610 263 4624

Remote Transmitter

Battery Cover	610 254 0550
	610 254 0581

SEMICONDUCTORS

(Select the replacement that gives the best results.)

Item No.	Type No.	Mfr. Part No.	NTE Part No.	ECG Part No.	TCE Part No.
D101	RD36EB1	407 056 2307	NTE5037A	ECG5037A	SK36A
	UZ-36BCA	407 163 9503	NTE5037A	ECG5037A	SK36A
D102	RD5.1EB2	407 056 8002	NTE5010A	ECG5010A	SK5A1
	RD5.1EB3	407 056 8200	NTE5010A	ECG5010A	SK5A1
	UZ5.1BCB	407 051 8402	-	-	-
	UZ5.1BCC	407 163 8209	-	-	-
D351	RD12EB2	407 054 3207	NTE5021T1	ECG5021T1	SK9971
	RD12EB3	407 054 3306	NTE5021T1	ECG5021T1	SK9971
	UZ-12BCC	407 162 5308	-	-	-
	UZ-12BCN	407 164 6907	-	-	-
# D421, 22	HZ11B2L	407 158 1307	NTE5020A	ECG5020A	SK11A
D428	RD15EB3	407 054 5904	NTE5024A	ECG5024A	SK15A
	UZ-15BCC	407 164 7102	-	-	-
D429	DS442X	407 005 4505	NTE519	ECG519	SK3100
	GMA01	407 007 9904	NTE519	ECG519	SK3100
	1N4148	408 008 2406	NTE519	ECG519	SK3100
	1SS133	407 012 4406	NTE519	ECG519	SK3100
	1SS176	407 012 5809	NTE177	ECG177	SK9091
	1S1555	407 013 1206	NTE177	ECG177	SK9091
	1S2076	407 013 4207	NTE177	ECG177	SK9091
	1S2473	407 013 7109	NTE177	ECG177	SK9091
D481	ES1	407 007 6606	NTE552	ECG552	SK9000
	ERA18-04	407 124 6404	NTE552	ECG552	SK9000
	RMPG06G	407 124 5506	NTE552	ECG552	SK9000
D482	TVR1G	407 011 4407	NTE552	ECG552	SK9000
D483	ES1	407 007 6606	NTE552	ECG552	SK9000
	ERA18-04	407 124 6404	NTE552	ECG552	SK9000
	RMPG06G	407 124 5506	NTE552	ECG552	SK9000
D484, 86	EU2	407 007 7603	NTE552	ECG552	SK9000
D487	ERA15-02	407 005 8602	NTE552	ECG552	SK9000
	MPG06D	407 088 6502	NTE552	ECG552	SK9000
	S5277B	407 011 3004	NTE552	ECG552	SK9000
	1N4002ID	408 009 9404	NTE116	ECG116	SK3311
D491	ERA15-02	407 005 8602	NTE552	ECG552	SK9000
	MPG06D	407 088 6502	NTE552	ECG552	SK9000
	S5277B	407 011 3004	NTE552	ECG552	SK9000
	1N4002ID	408 009 9404	NTE116	ECG116	SK3311
D492	RD10EB2	407 054 0008	NTE5019A	ECG5019A	SK10A
	UZ-10BCB	407 151 1304	-	-	-
D493	RD7.5EB3	407 057 6502	NTE5015A	ECG5015A	SK7A5
	UZ-7.5BCC	407 151 9003	-	-	-
D496	DS442X	407 005 4505	NTE519	ECG519	SK3100
	GMA01	407 007 9904	NTE519	ECG519	SK3100
	1N4148	408 008 2406	NTE519	ECG519	SK3100
	1SS133	407 012 4406	NTE519	ECG519	SK3100
	1SS176	407 012 5809	NTE177	ECG177	SK9091
	1S1555	407 013 1206	NTE177	ECG177	SK9091
	1S2076	407 013 4207	NTE177	ECG177	SK9091
	1S2473	407 013 7109	NTE177	ECG177	SK9091
D501	ERA15-02	407 005 8602	NTE552	ECG552	SK9000
	MPG06D	407 088 6502	NTE552	ECG552	SK9000
	S5277B	407 011 3004	NTE552	ECG552	SK9000
	1N4002ID	408 009 9404	NTE116	ECG116	SK3311
# D602 Thru					
# D605	EM2B	407 005 7605	NTE125	ECG125	SK3081
	GP15G	408 008 8606	NTE125	ECG125	SK3081
	1S1887A	407 013 3200	NTE552	ECG552	SK9000

For SAFETY use only equivalent replacement part.

SEMICONDUCTORS continued

(Select the replacement that gives the best results.)

Item No.	Type No.	Mfr. Part No.	NTE Part No.	ECG Part No.	TCE Part No.	
D621	ERA15-02	407 005 8602	NTE552	ECG552	SK9000	
	MPG06D	407 088 6502	NTE552	ECG552	SK9000	
	S5277B	407 011 3004	NTE552	ECG552	SK9000	
	1N4002ID	408 009 9404	NTE116	ECG116	SK3311	
D622	DS442X	407 005 4505	NTE519	ECG519	SK3100	
	GMA01	407 007 9904	NTE519	ECG519	SK3100	
	1N4148	408 008 2406	NTE519	ECG519	SK3100	
	1SS133	407 012 4406	NTE519	ECG519	SK3100	
	1SS176	407 012 5809	NTE177	ECG177	SK9091	
	1S1555	407 013 1206	NTE177	ECG177	SK9091	
	1S2076	407 013 4207	NTE177	ECG177	SK9091	
	1S2473	407 013 7109	NTE177	ECG177	SK9091	
	D623	RD5.1EB2	407 056 8002	NTE5010A	ECG5010A	SK5A1
RD5.1EB3		407 056 8200	NTE5010A	ECG5010A	SK5A1	
UZ-5.1BCB		407 151 8402	-	-	-	
UZ-5.1BCC		407 163 8209	-	-	-	
D721, 22	DS442X	407 005 4505	NTE519	ECG519	SK3100	
	GMA01	407 007 9904	NTE519	ECG519	SK3100	
	1N4148	408 008 2406	NTE519	ECG519	SK3100	
	1SS133	407 012 4406	NTE519	ECG519	SK3100	
	1SS176	407 012 5809	NTE177	ECG177	SK9091	
	1S1555	407 013 1206	NTE177	ECG177	SK9091	
	1S2076	407 013 4207	NTE177	ECG177	SK9091	
	1S2473	407 013 7109	NTE177	ECG177	SK9091	
	D801, 02	DS442X	407 005 4505	NTE519	ECG519	SK3100
GMA01		407 007 9904	NTE519	ECG519	SK3100	
1N4148		408 008 2406	NTE519	ECG519	SK3100	
1SS133		407 012 4406	NTE519	ECG519	SK3100	
1SS176		407 012 5809	NTE177	ECG177	SK9091	
1S1555		407 013 1206	NTE177	ECG177	SK9091	
1S2076		407 013 4207	NTE177	ECG177	SK9091	
1S2473		407 013 7109	NTE177	ECG177	SK9091	
D831		RD4.3EB2	407 056 4707	NTE5008A	ECG5008A	SK4A3
	UZ-4.3BCB	407 164 9601	-	-	-	
D834	RD16EB3	407 054 7205	NTE5025A	ECG5025A	SK16A	
	UZ-16BCC	407 164 7201	-	-	-	
D836, 43	DS442X	407 005 4505	NTE519	ECG519	SK3100	
	GMA01	407 007 9904	NTE519	ECG519	SK3100	
	1N4148	408 008 2406	NTE519	ECG519	SK3100	
	1SS133	407 012 4406	NTE519	ECG519	SK3100	
	1SS176	407 012 5809	NTE177	ECG177	SK9091	
	1S1555	407 013 1206	NTE177	ECG177	SK9091	
	1S2076	407 013 4207	NTE177	ECG177	SK9091	
	1S2473	407 013 7109	NTE177	ECG177	SK9091	
	IC001	TDA7231A	409 343 0409	-	-	-
# IC101	LA76070N	409 299 2303	-	-	-	
IC481	BA178M09T	409 367 2809	-	-	-	
	MC78M09CT	409 370 0007	-	-	-	
	UPC78M09AHF	409 366 7904	-	-	-	
# IC501	LA7841	409 340 1904	-	-	-	
# IC601	STR30130	409 243 0806	NTE1777	ECG1777	SK9870	
IC801	M37272M8-100SP	410 270 8901	-	-	-	
	IC802	24LC01B/P	409 321 0902	-	-	-
		ST24C01	-	-	-	-
	ST24C01B1	409 270 0008	-	-	-	
	XLS24C01AP	409 321 7307	-	-	-	
	AT24C01A-10PC-2.5	410 243 3803	-	-	-	

For SAFETY use only equivalent replacement part.

SEMICONDUCTORS continued

(Select the replacement that gives the best results.)

Item No.	Type No.	Mfr. Part No.	NTE Part No.	ECG Part No.	TCE Part No.	
Q202	2SC1740S-Q	405 011 8401	NTE85	ECG85	SK3122	
	2SC1740S-R	405 011 8500	NTE85	ECG85	SK3122	
	2SC1740S-S	405 011 8609	NTE85	ECG85	SK3122	
	2SC1815-GR	405 012 2002	NTE85	ECG85	SK3124A	
	2SC1815-O	405 012 2101	NTE85	ECG85	SK3124A	
	2SC1815-Y	405 012 2309	NTE85	ECG85	SK3124A	
	2SC536-E-NP	405 019 1909	NTE85	ECG85	SK3245	
	2SC536-F-NP	405 019 2708	NTE85	ECG85	SK3245	
	2SC536-G-NP	405 019 3804	NTE85	ECG85	SK3245	
	2SC945A-PA	405 020 7501	NTE85	ECG85	SK3124A	
	2SC945A-QA	405 020 7709	NTE85	ECG85	SK3124A	
	2SC945A-RA	405 020 7907	NTE85	ECG85	SK3124A	
	Q281	2SA1015-O(SAN)	405 001 7407	NTE290A	ECG290A	SK9132
		2SA1015-Y(SAN)	405 001 7605	NTE290A	ECG290A	SK9132
		2SA564A-Q(CU)	405 004 3109	NTE290A	ECG290A	SK3932
		2SA564A-R(CU)	405 004 3208	NTE290A	ECG290A	SK3932
2SA608-E-CTV-NP		405 004 4205	NTE290A	ECG290A	SK3114A	
2SA608-F-CTV-NP		405 004 4809	NTE290A	ECG290A	SK3114A	
2SA933S-Q		405 006 1707	NTE290A	ECG290A	SK9132	
2SA933S-R		405 006 1806	NTE290A	ECG290A	SK9132	
Q371, 72	2SA1015-O(SAN)	405 001 7407	NTE290A	ECG290A	SK9132	
	2SA1015-Y(SAN)	405 001 7605	NTE290A	ECG290A	SK9132	
	2SA564A-Q(CU)	405 004 3109	NTE290A	ECG290A	SK3932	
	2SA564A-R(CU)	405 004 3208	NTE290A	ECG290A	SK3932	
	2SA608-E-CTV-NP	405 004 4205	NTE290A	ECG290A	SK3114A	
	2SA608-F-CTV-NP	405 004 4809	NTE290A	ECG290A	SK3114A	
	2SA933S-Q	405 006 1707	NTE290A	ECG290A	SK9132	
	2SA933S-R	405 006 1806	NTE290A	ECG290A	SK9132	
Q401	2SC2271-D-CTV	405 013 6207	NTE399	ECG399	SK9352	
	2SC2271-E-CTV	405 013 6306	NTE399	ECG399	SK9352	
	2SC2271-E	405 029 7205	NTE399	ECG399	SK9352	
	2SC2271-D	405 029 7106	NTE399	ECG399	SK9352	
# Q402	2SD1879-CTV-YB	405 082 2407	NTE2331	ECG2331	SK10088	
Q491	2SD400-E-MP	405 023 5009	NTE382	ECG382	SK3849	
	2SD400-F-MP	405 023 5306	NTE382	ECG382	SK3849	
Q621, 22	2SC1740S-Q	405 011 8401	NTE85	ECG85	SK3122	
	2SC1740S-R	405 011 8500	NTE85	ECG85	SK3122	
	2SC1740S-S	405 011 8609	NTE85	ECG85	SK3122	
	2SC1815-GR	405 012 2002	NTE85	ECG85	SK3124A	
	2SC1815-O	405 012 2101	NTE85	ECG85	SK3124A	
	2SC1815-Y	405 012 2309	NTE85	ECG85	SK3124A	
	2SC536-E-NP	405 019 1909	NTE85	ECG85	SK3245	
	2SC536-F-NP	405 019 2708	NTE85	ECG85	SK3245	
	2SC536-G-NP	405 019 3804	NTE85	ECG85	SK3245	
	2SC945A-PA	405 020 7501	NTE85	ECG85	SK3124A	
	2SC945A-QA	405 020 7709	NTE85	ECG85	SK3124A	
	2SC945A-RA	405 020 7907	NTE85	ECG85	SK3124A	
Q623	2SA1015-O(SAN)	405 001 7407	NTE290A	ECG290A	SK9132	
	2SA1015-Y(SAN)	405 001 7605	NTE290A	ECG290A	SK9132	
	2SA564A-Q(CU)	405 004 3109	NTE290A	ECG290A	SK3932	
	2SA564A-R(CU)	405 004 3208	NTE290A	ECG290A	SK3932	
	2SA608-E-CTV-NP	405 004 4205	NTE290A	ECG290A	SK3114A	
	2SA608-F-CTV-NP	405 004 4809	NTE290A	ECG290A	SK3114A	
	2SA933S-Q	405 006 1707	NTE290A	ECG290A	SK9132	
	2SA933S-R	405 006 1806	NTE290A	ECG290A	SK9132	

For SAFETY use only equivalent replacement part.

SEMICONDUCTORS continued

(Select the replacement that gives the best results.)

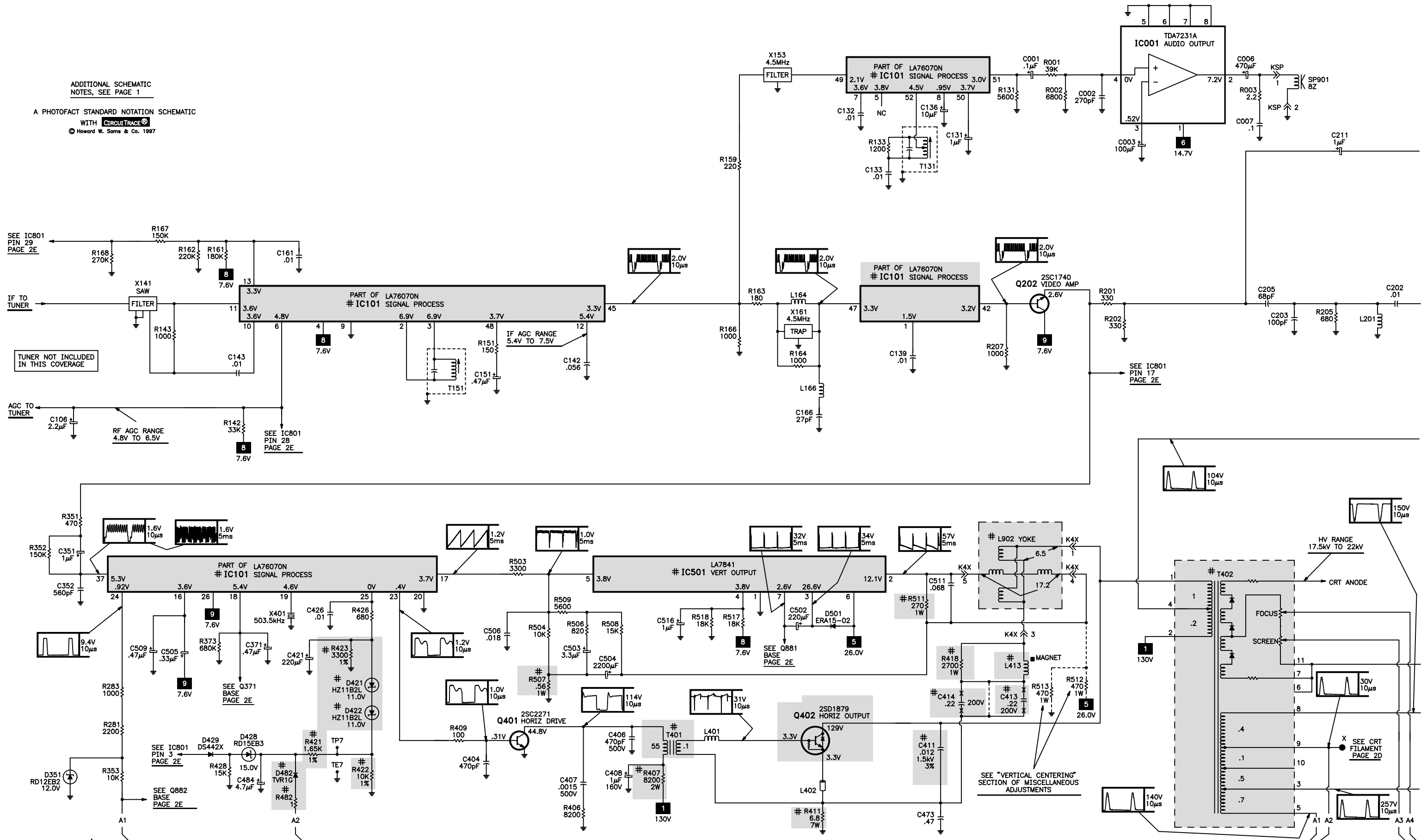
Item No.	Type No.	Mfr. Part No.	NTE Part No.	ECG Part No.	TCE Part No.
Q701, 3, 5	2SC2621-C-RA	405 066 4304	NTE157	ECG157	SK3747
	2SC3620(LB-SAN-1)	406 000 3605	NTE157	ECG157	SK3747
	2SC2621-D-RA	405 041 6507	NTE157	ECG157	SK3747
	2SC2621-E-RA	405 041 6705	NTE157	ECG157	SK3747
	2SC2688(1)-K	405 066 9903	NTE157	ECG157	SK3747
	2SC2688(1)-L	405 067 0008	NTE157	ECG157	SK3747
Q721	2SC2688(1)-M	405 067 0107	NTE157	ECG157	SK3747
	2SA1015-Y(SAN)	405 001 7605	NTE290A	ECG290A	SK9132
	2SA564A-Q(CU)	405 004 3109	NTE290A	ECG290A	SK3932
	2SA564A-R(CU)	405 004 3208	NTE290A	ECG290A	SK3932
	2SA608-E-CTV-NP	405 004 4205	NTE290A	ECG290A	SK3114A
	2SA608-F-CTV-NP	405 004 4809	NTE290A	ECG290A	SK3114A
	2SA933S-Q	405 006 1707	NTE290A	ECG290A	SK9132
	2SA933S-R	405 006 1806	NTE290A	ECG290A	SK9132
Q831	2SA1015-O(SAN)	405 001 7407	NTE290A	ECG290A	SK9132
	2SA1015-Y(SAN)	405 001 7605	NTE290A	ECG290A	SK9132
	2SA564A-Q(CU)	405 004 3109	NTE290A	ECG290A	SK3932
	2SA564A-R(CU)	405 004 3208	NTE290A	ECG290A	SK3932
	2SA608-E-CTV-NP	405 004 4205	NTE290A	ECG290A	SK3114A
	2SA608-F-CTV-NP	405 004 4809	NTE290A	ECG290A	SK3114A
	2SA933S-Q	405 006 1707	NTE290A	ECG290A	SK9132
	2SA933S-R	405 006 1806	NTE290A	ECG290A	SK9132
Q881, 82	2SC1740S-Q	405 011 8401	NTE85	ECG85	SK3122
	2SC1740S-R	405 011 8500	NTE85	ECG85	SK3122
	2SC1740S-S	405 011 8609	NTE85	ECG85	SK3122
	2SC1815-GR	405 012 2002	NTE85	ECG85	SK3124A
	2SC1815-O	405 012 2101	NTE85	ECG85	SK3124A
	2SC1815-Y	405 012 2309	NTE85	ECG85	SK3124A
	2SC536-E-NP	405 019 1909	NTE85	ECG85	SK3245
	2SC536-F-NP	405 019 2708	NTE85	ECG85	SK3245
	2SC536-G-NP	405 019 3804	NTE85	ECG85	SK3245
	2SC945A-PA	405 020 7501	NTE85	ECG85	SK3124A
	2SC945A-QA	405 020 7709	NTE85	ECG85	SK3124A
	2SC945A-RA	405 020 7907	NTE85	ECG85	SK3124A

A

B

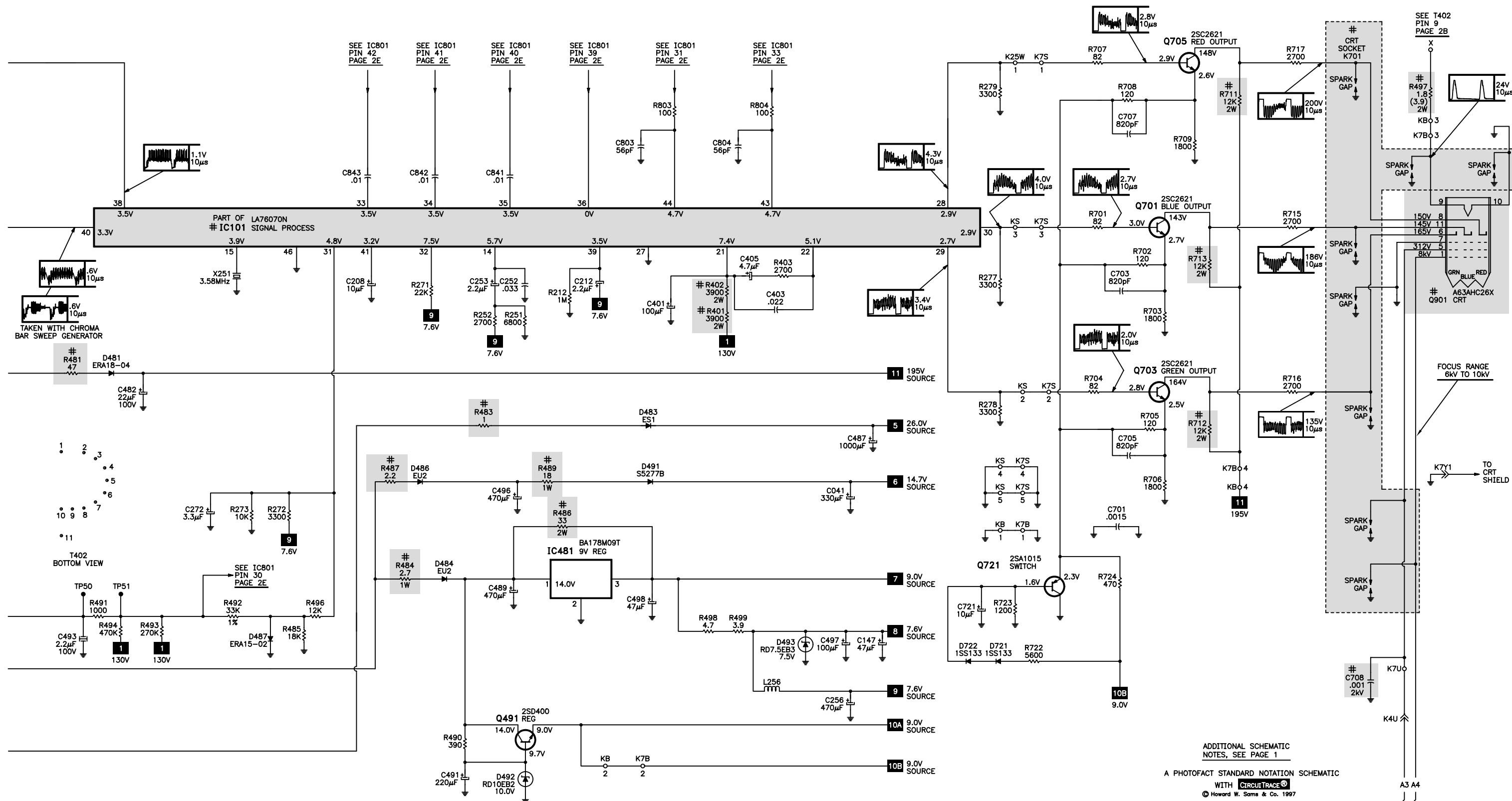
ADDITIONAL SCHEMATIC NOTES, SEE PAGE 1

A PHOTOFACIT STANDARD NOTATION SCHEMATIC WITH CIRCUITRACE © Howard W. Sams & Co. 1997



C

D

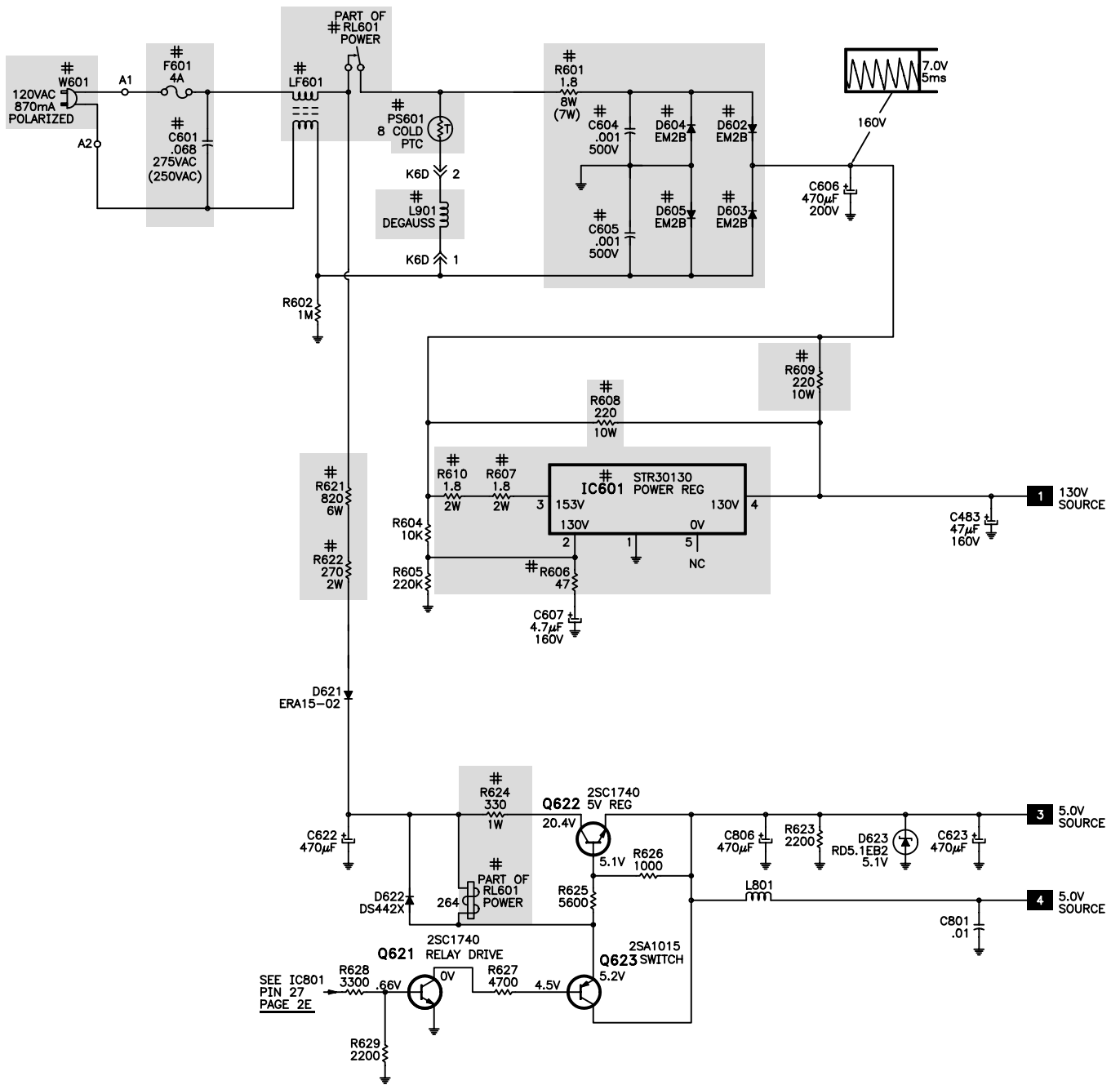


ADDITIONAL SCHEMATIC NOTES, SEE PAGE 1

A PHOTOFAC STANDARD NOTATION SCHEMATIC

WITH **CIRCUITRACE**

© Howard W. Sams & Co. 1997

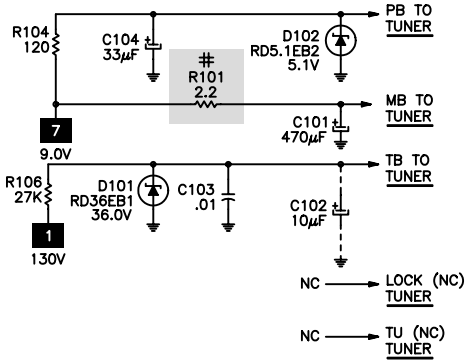
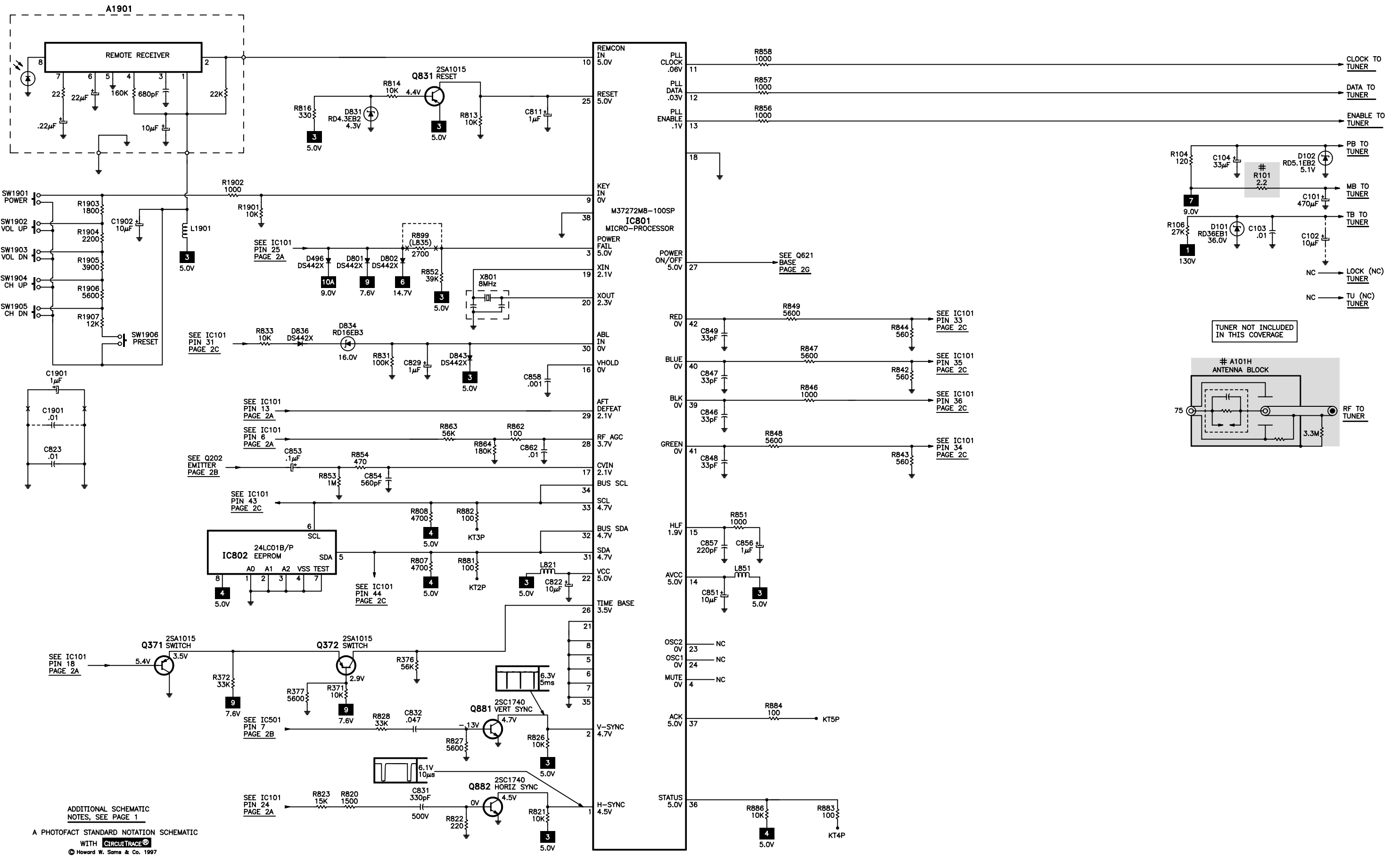


ADDITIONAL SCHEMATIC
NOTES, SEE PAGE 1

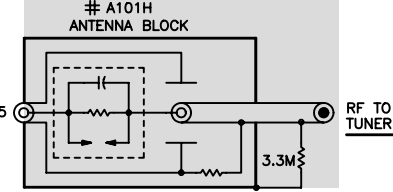
A PHOTOFAC STANDARD NOTATION SCHEMATIC

WITH **CIRCUITRACE**

© Howard W. Sams & Co. 1997



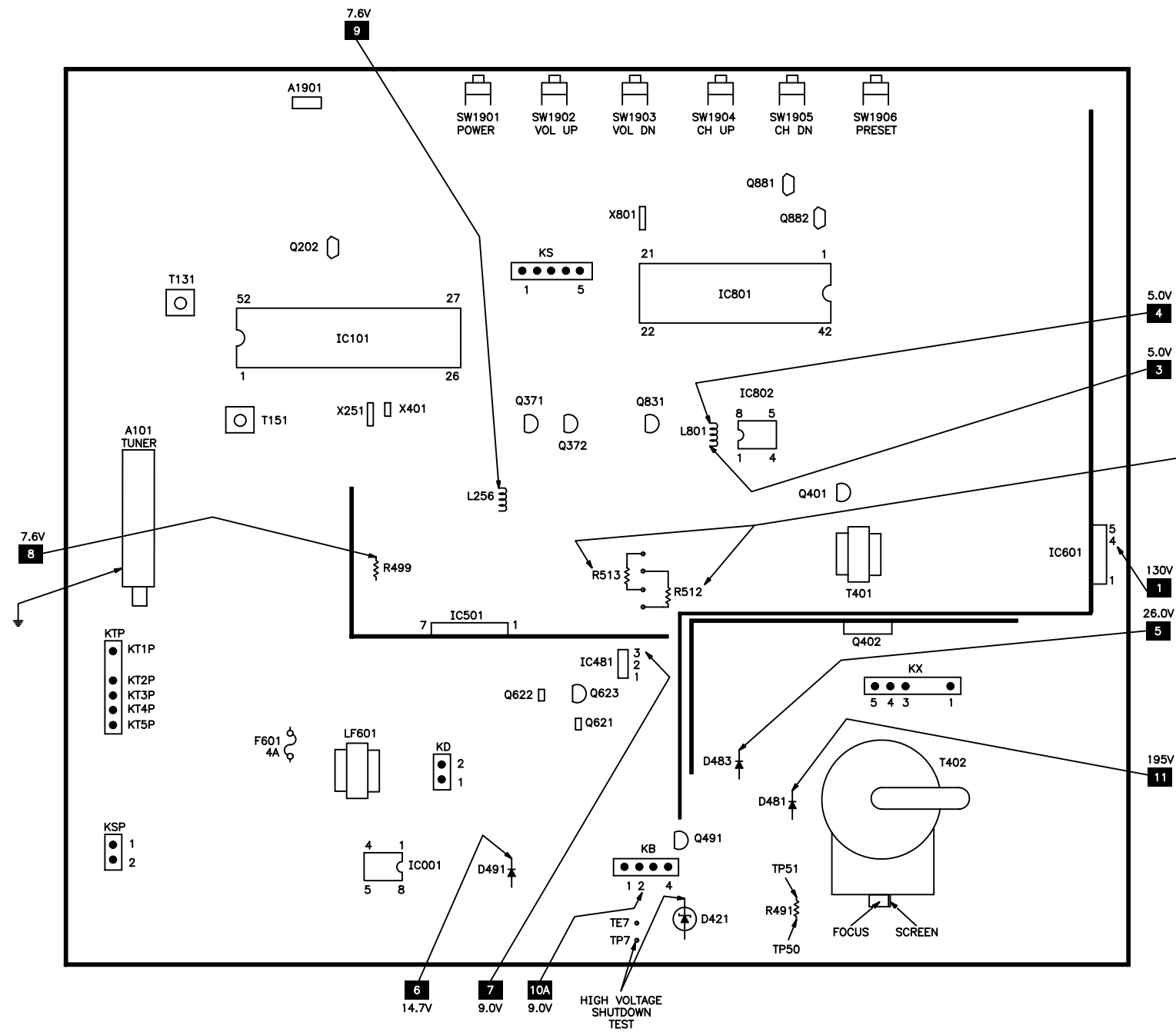
TUNER NOT INCLUDED IN THIS COVERAGE



ADDITIONAL SCHEMATIC NOTES, SEE PAGE 1
 A PHOTOFAC STANDARD NOTATION SCHEMATIC
 WITH CIRCUITRACE
 © Howard W. Sams & Co. 1997

E

F



SEE "VERTICAL CENTERING" SECTION OF MISCELLANEOUS ADJUSTMENTS

