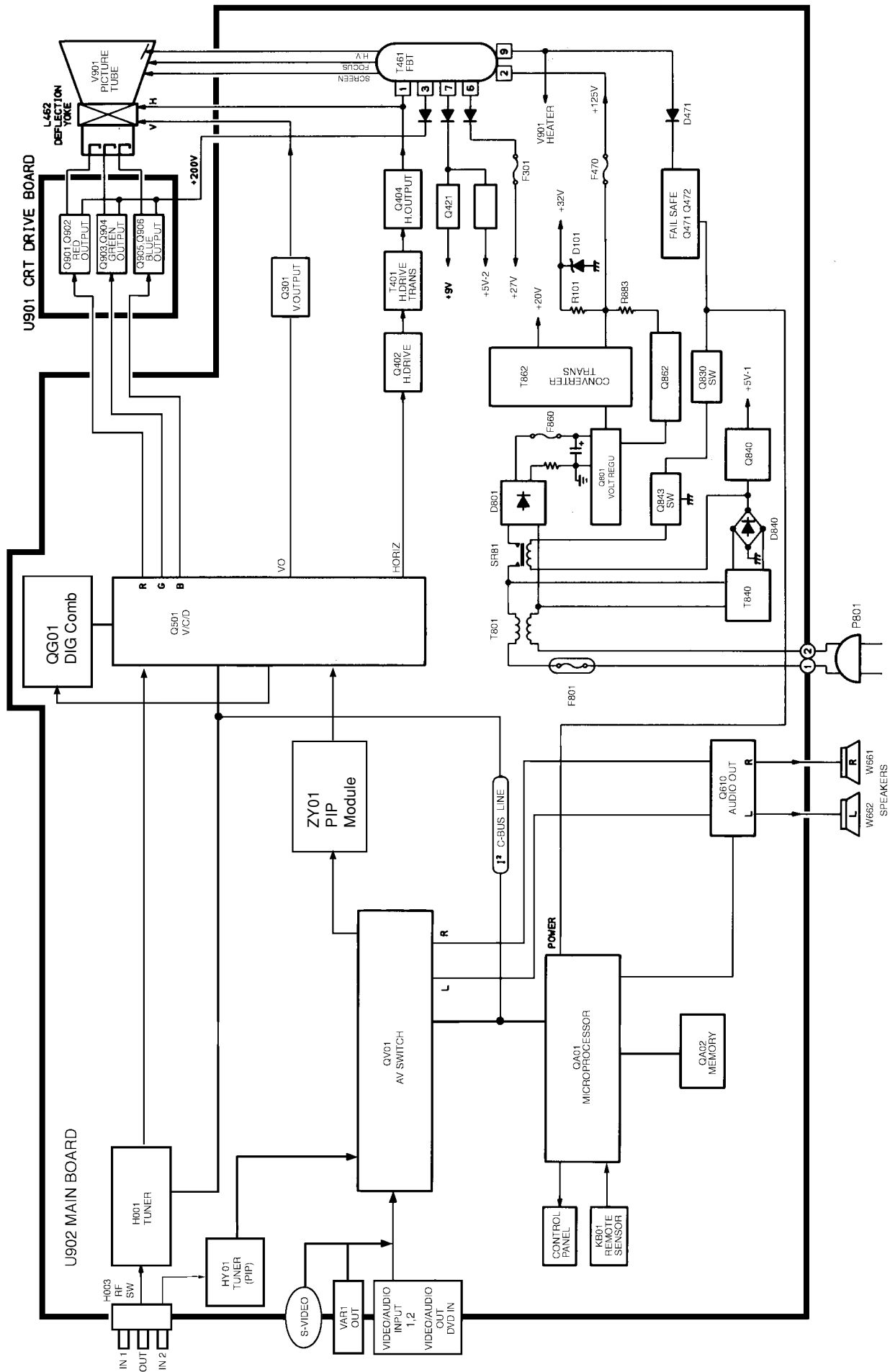




# CIRCUIT BLOCK DIAGRAM



1

2

3

4

5

6

7

8

A

A

27AF62:PD0654A 32A62:PD0654C  
27AF42:PD0654B

B

B

C

C

D

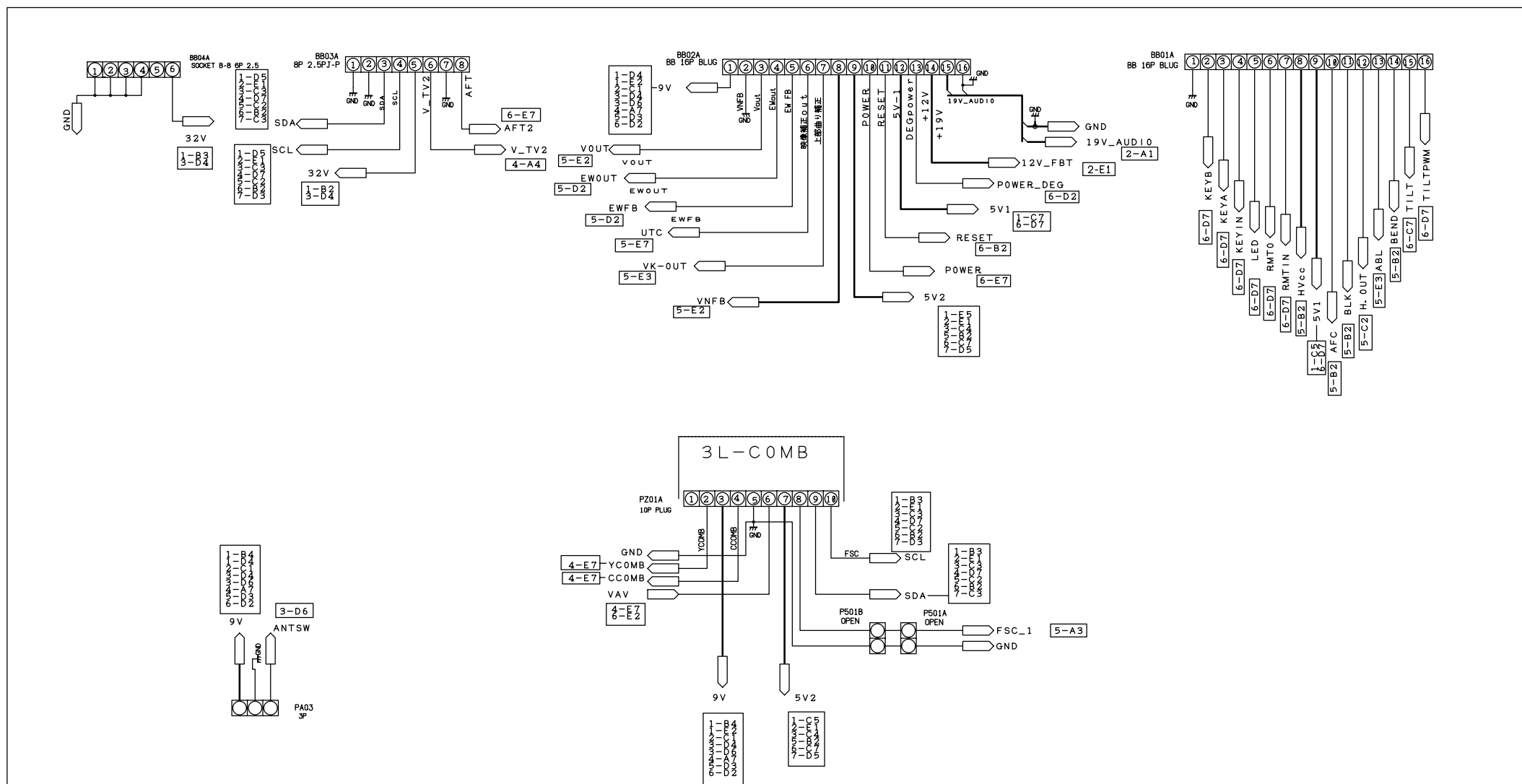
D

E

E

F

F



1

2

3

4

5

6

7

8

1

2

3

4

A

27AF62:PD0654A 32A62:PD0654C  
27AF42:PD0654B

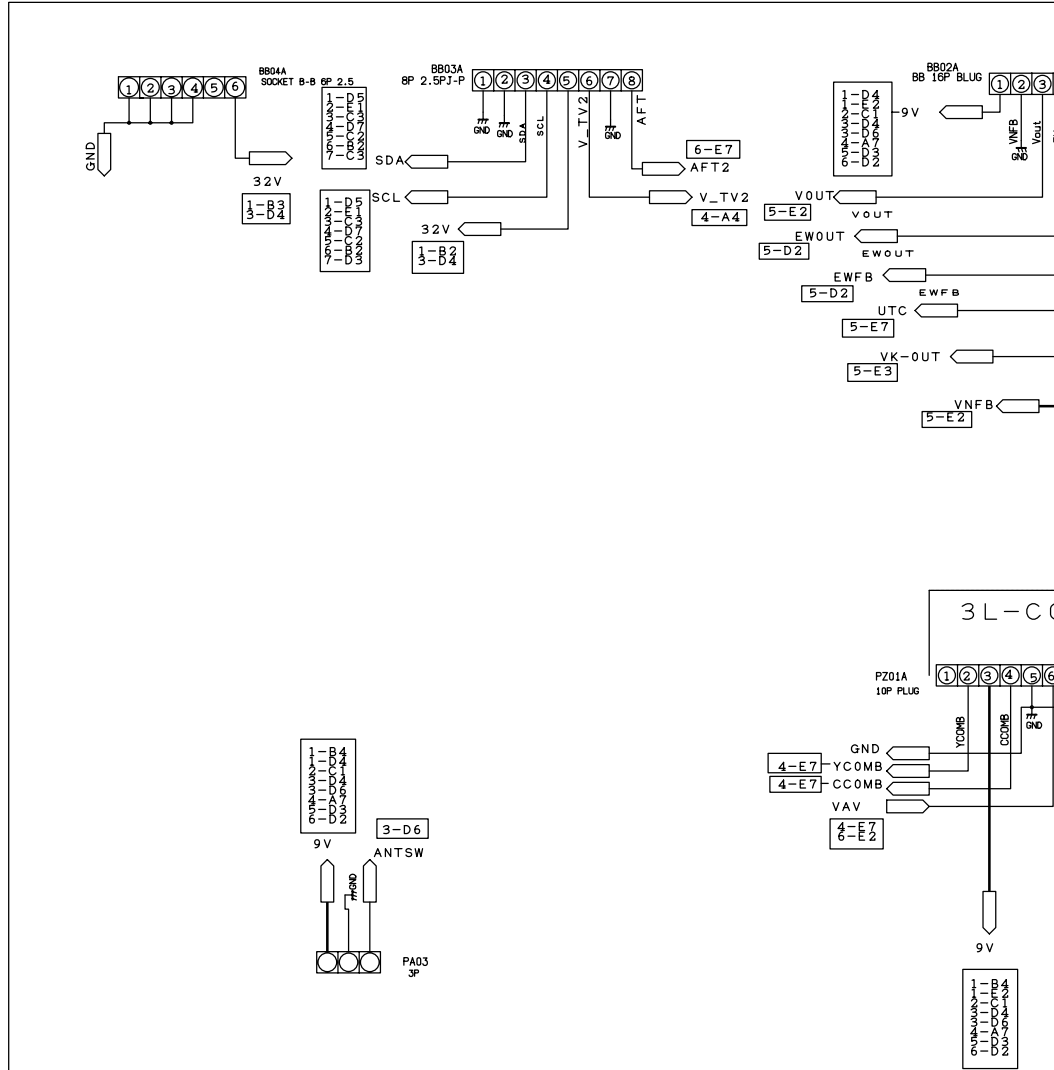
B

C

D

E

F



1

2

3

4

A

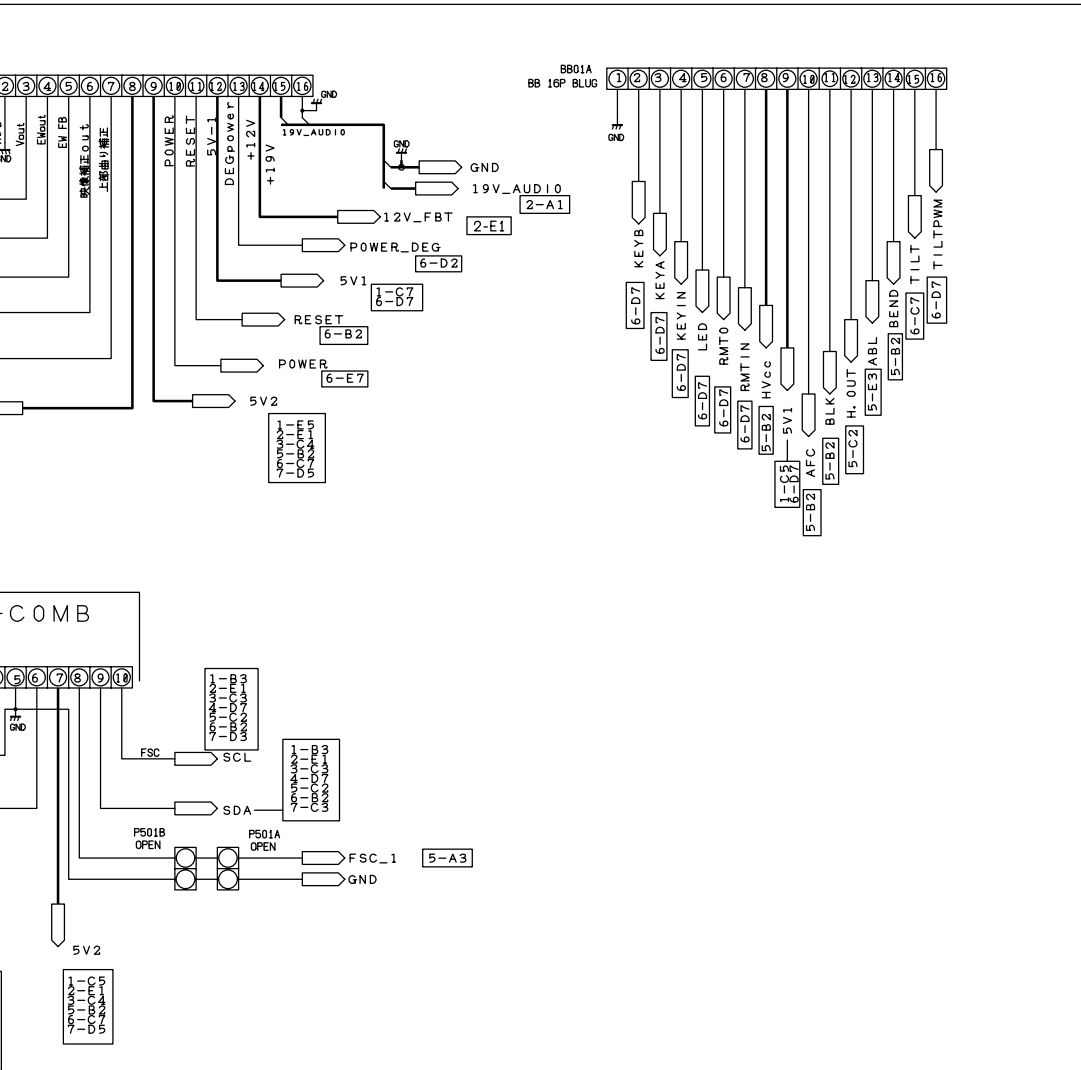
B

C

D

E

F



A

B

C

D

E

F

A

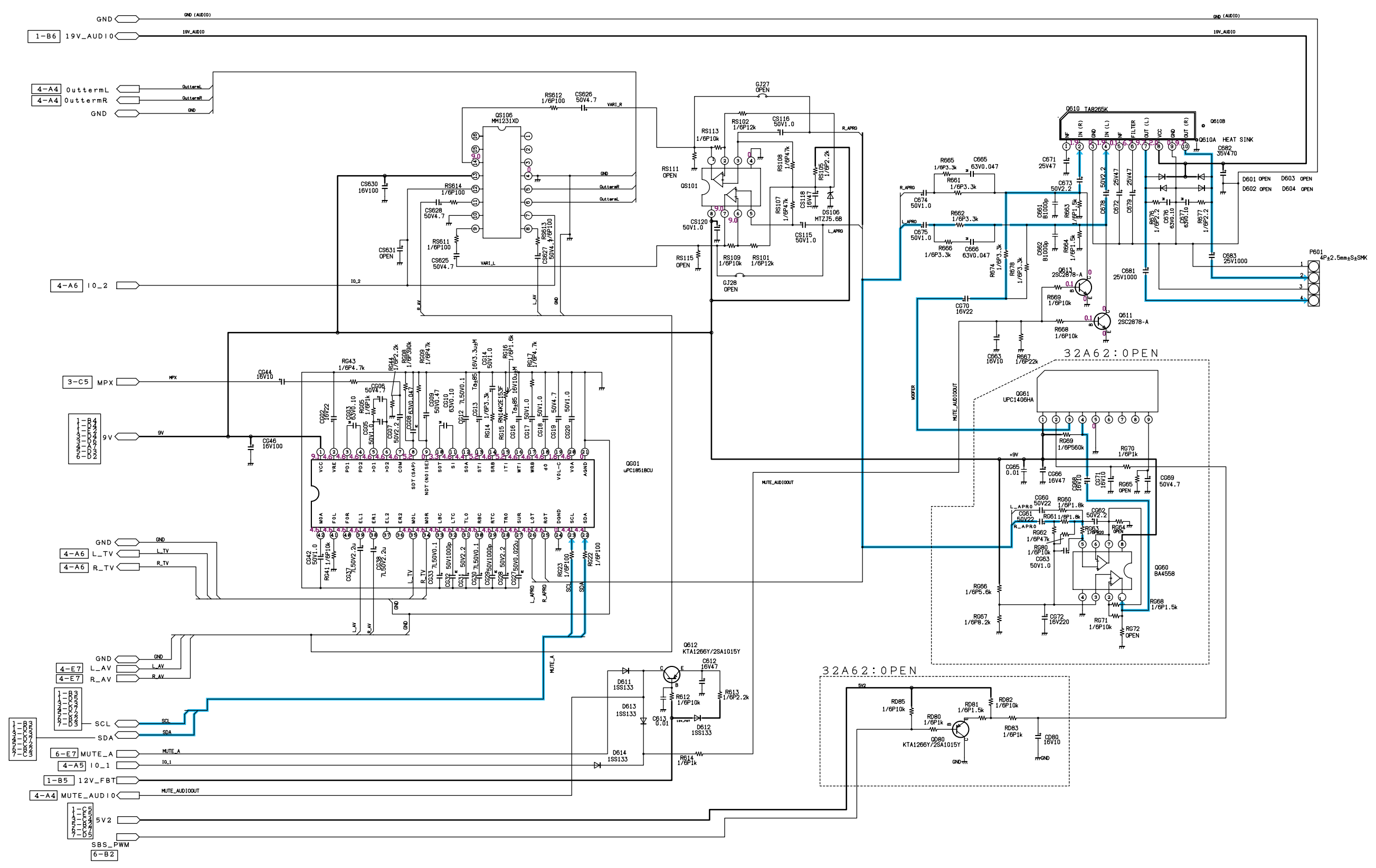
B

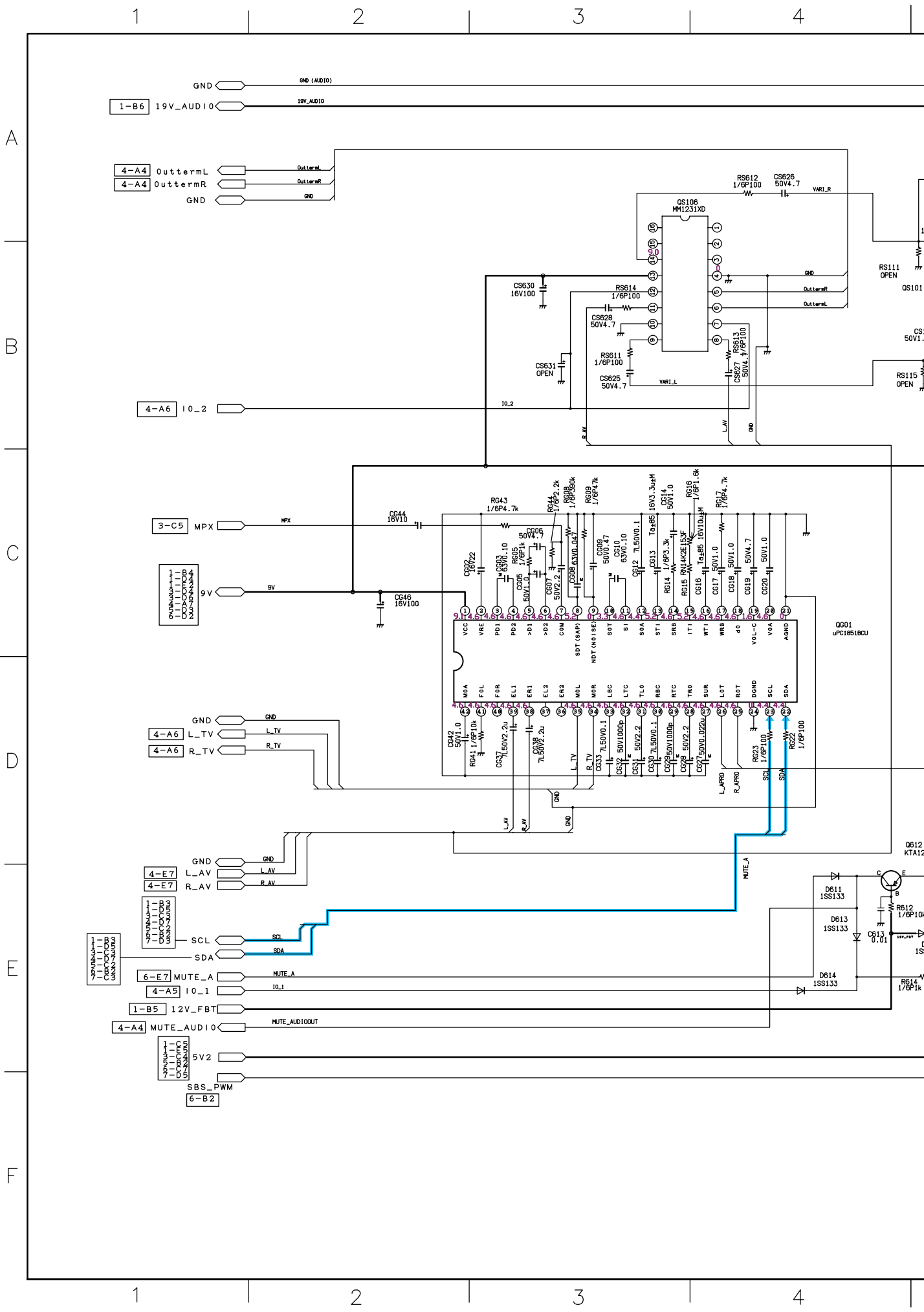
C

D

E

F





A

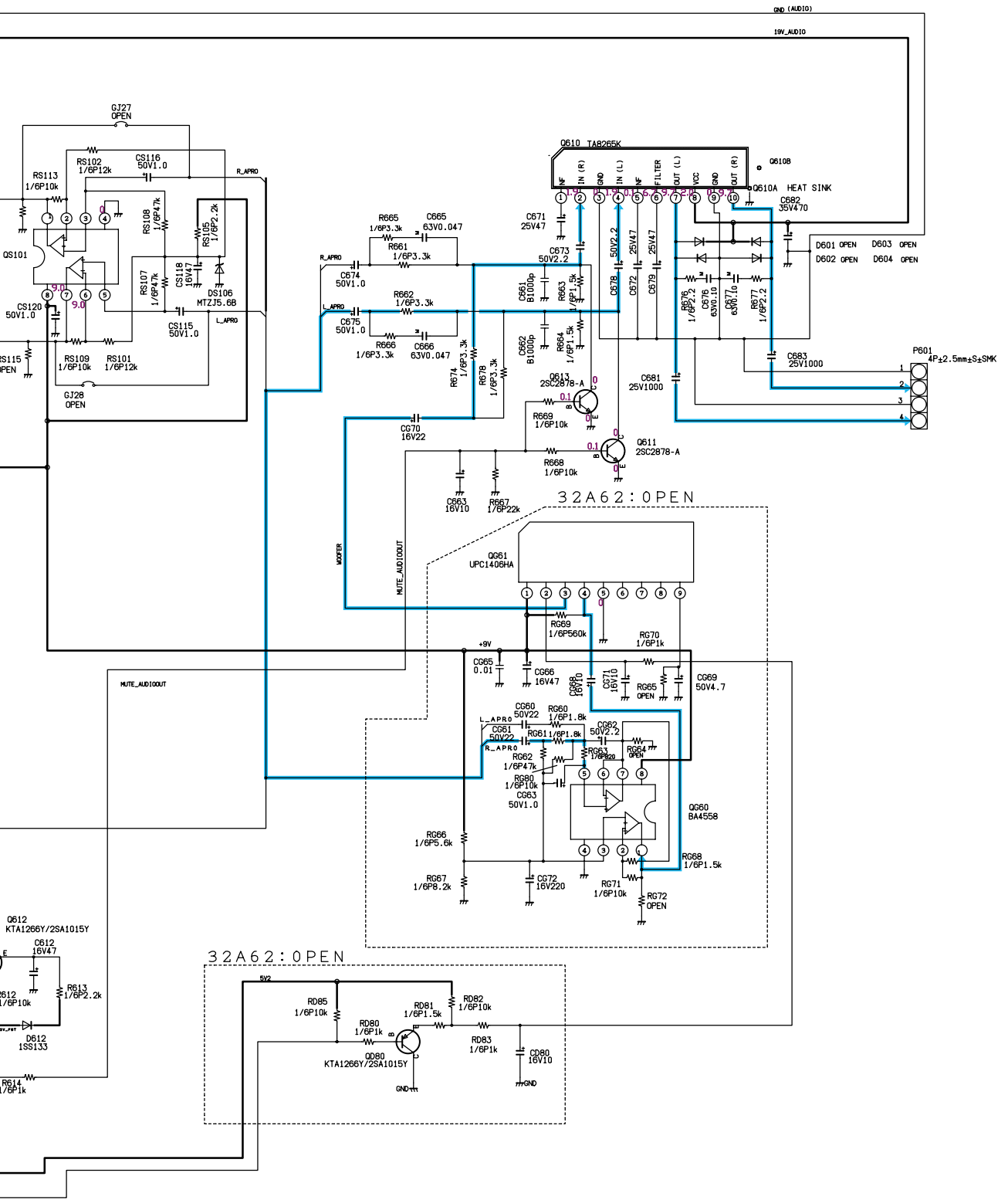
B

C

D

E

F



1

2

3

4

5

6

7

8

A

B

C

D

E

F

A

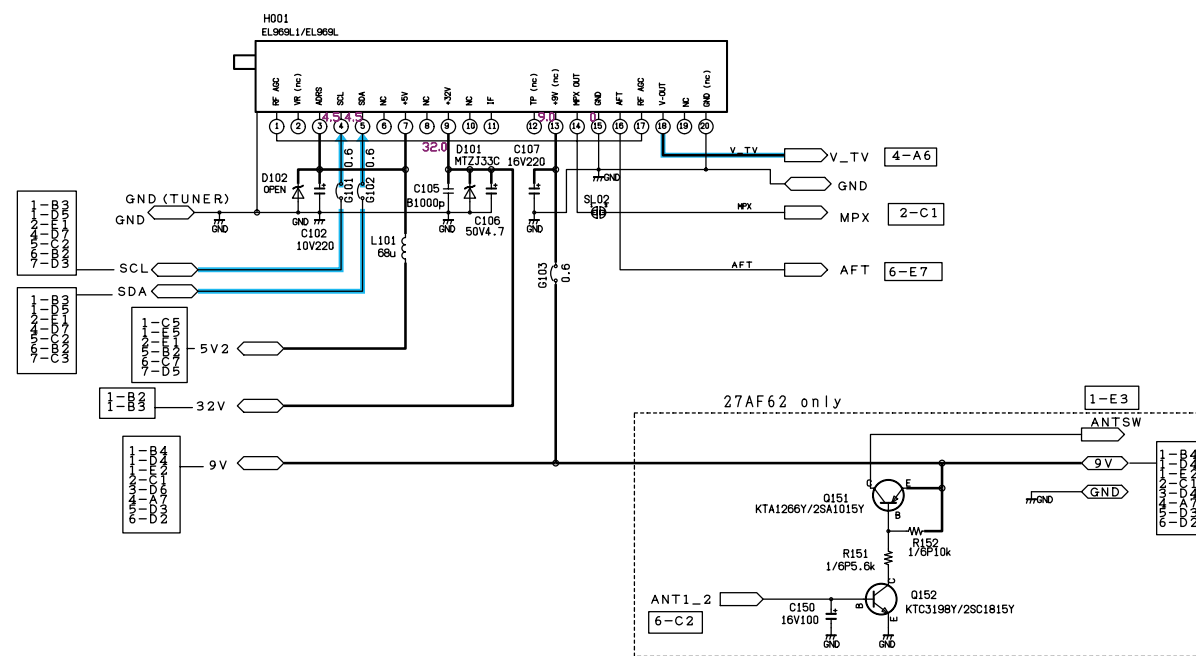
B

C

D

E

F



1

2

3

4

5

6

7

8

1

2

3

4

A

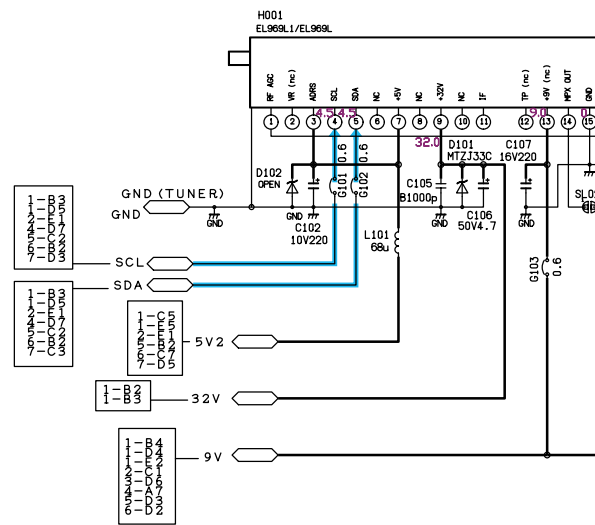
B

C

D

E

F

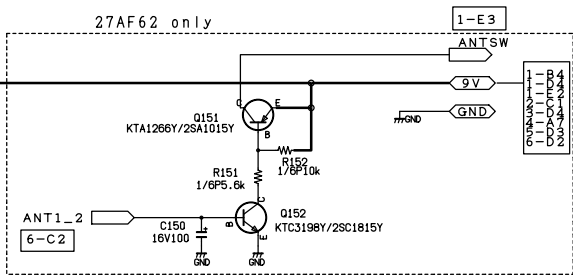
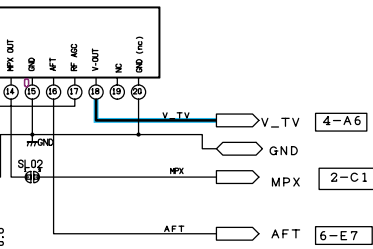


1

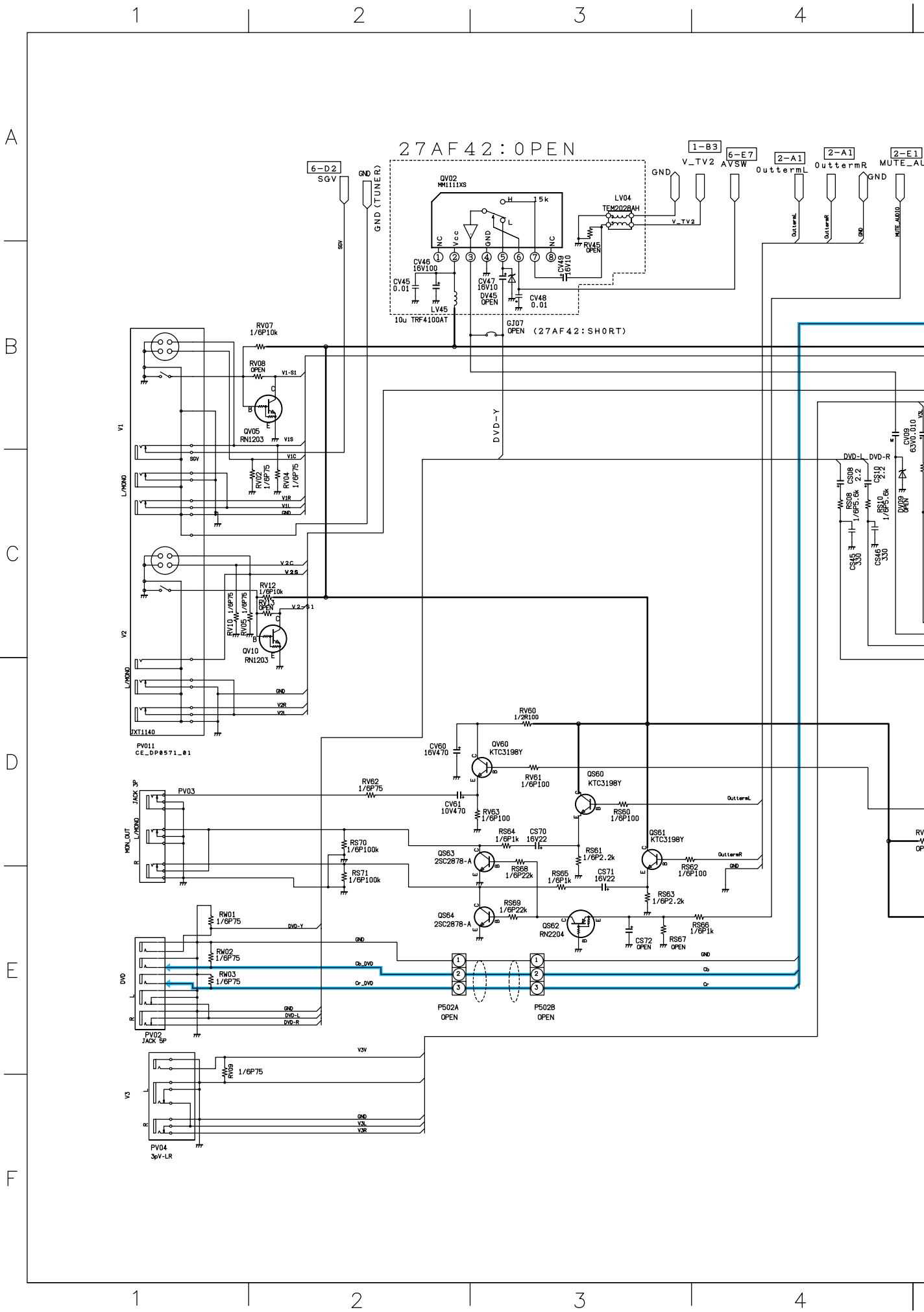
2

3

4







A

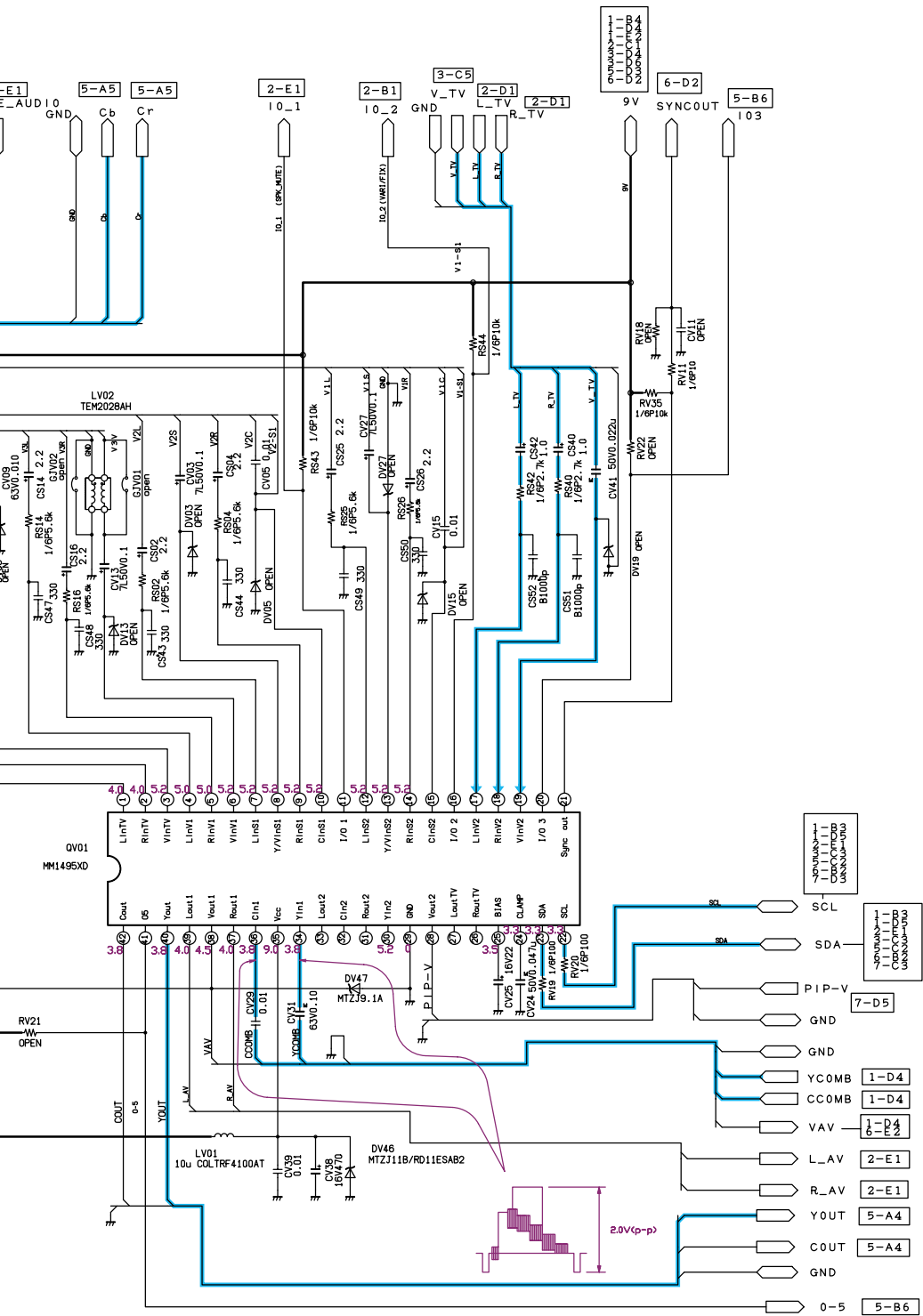
B

C

D

E

F







A

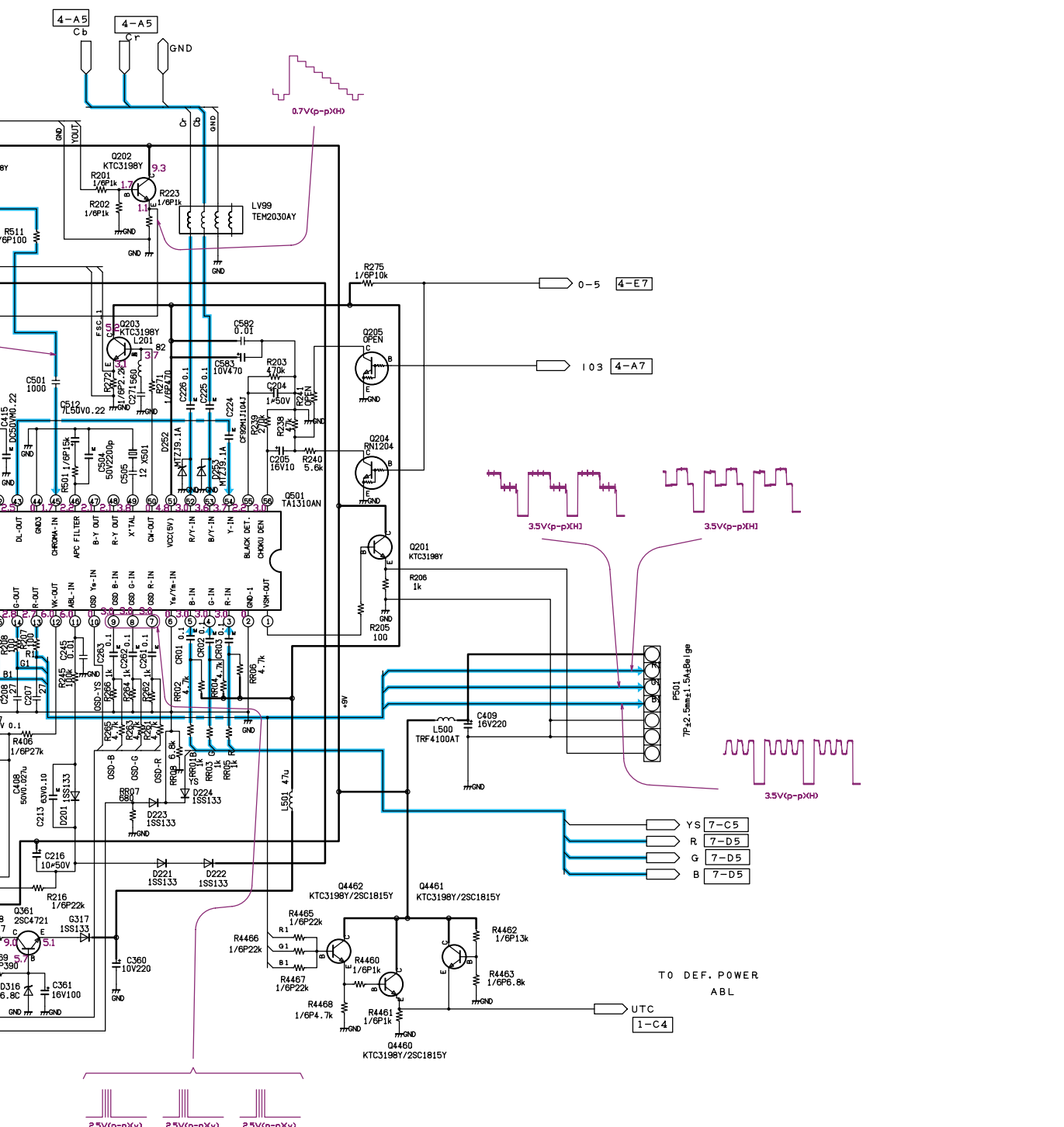
B

C

D

E

F



27AF62/27AF42  
 SIGNAL-VCD  
 [Sheet 5/7]





A

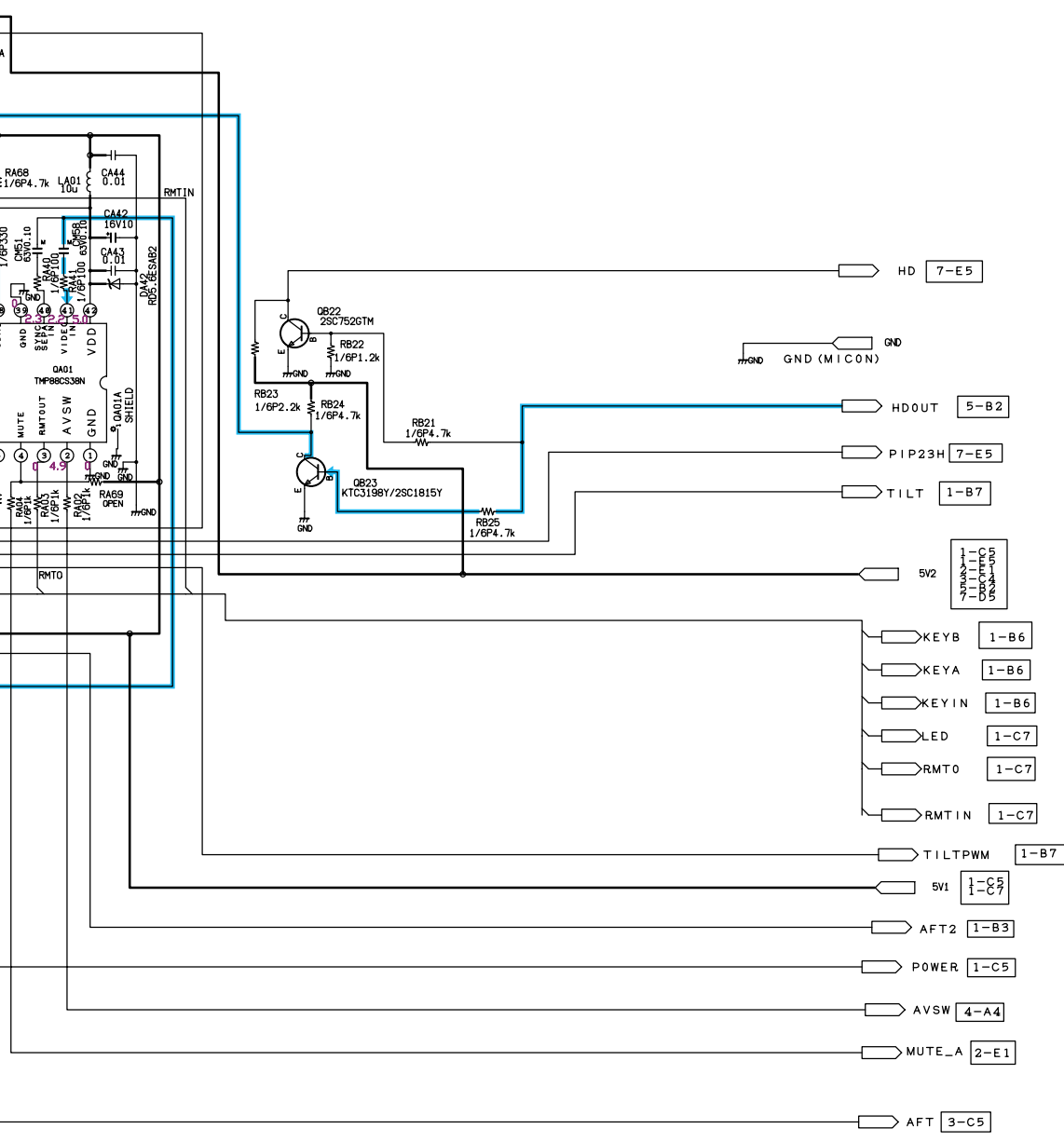
B

C

D

E

F



A

B

C

D

E

F

1

2

3

4

5

6

7

8

A

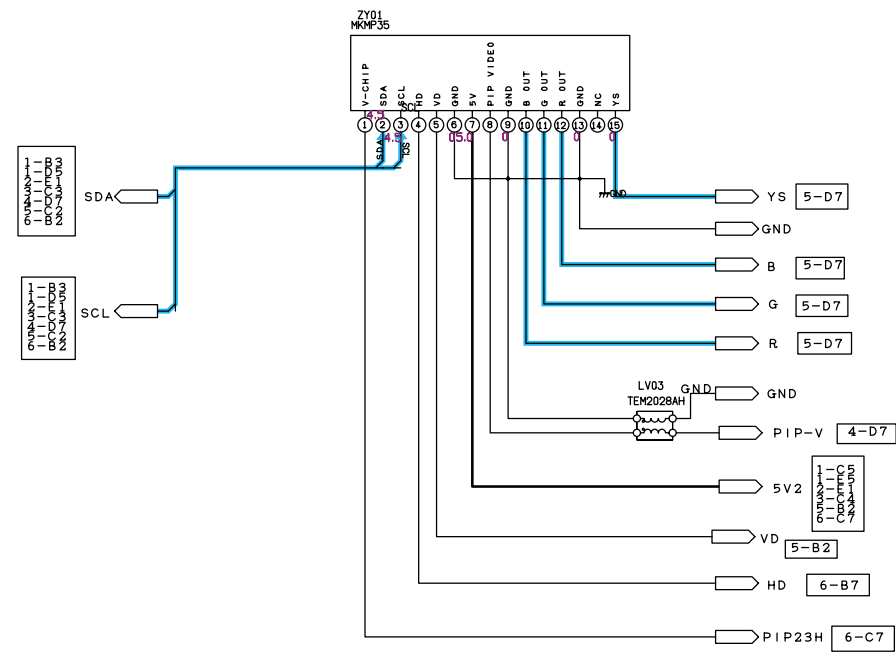
B

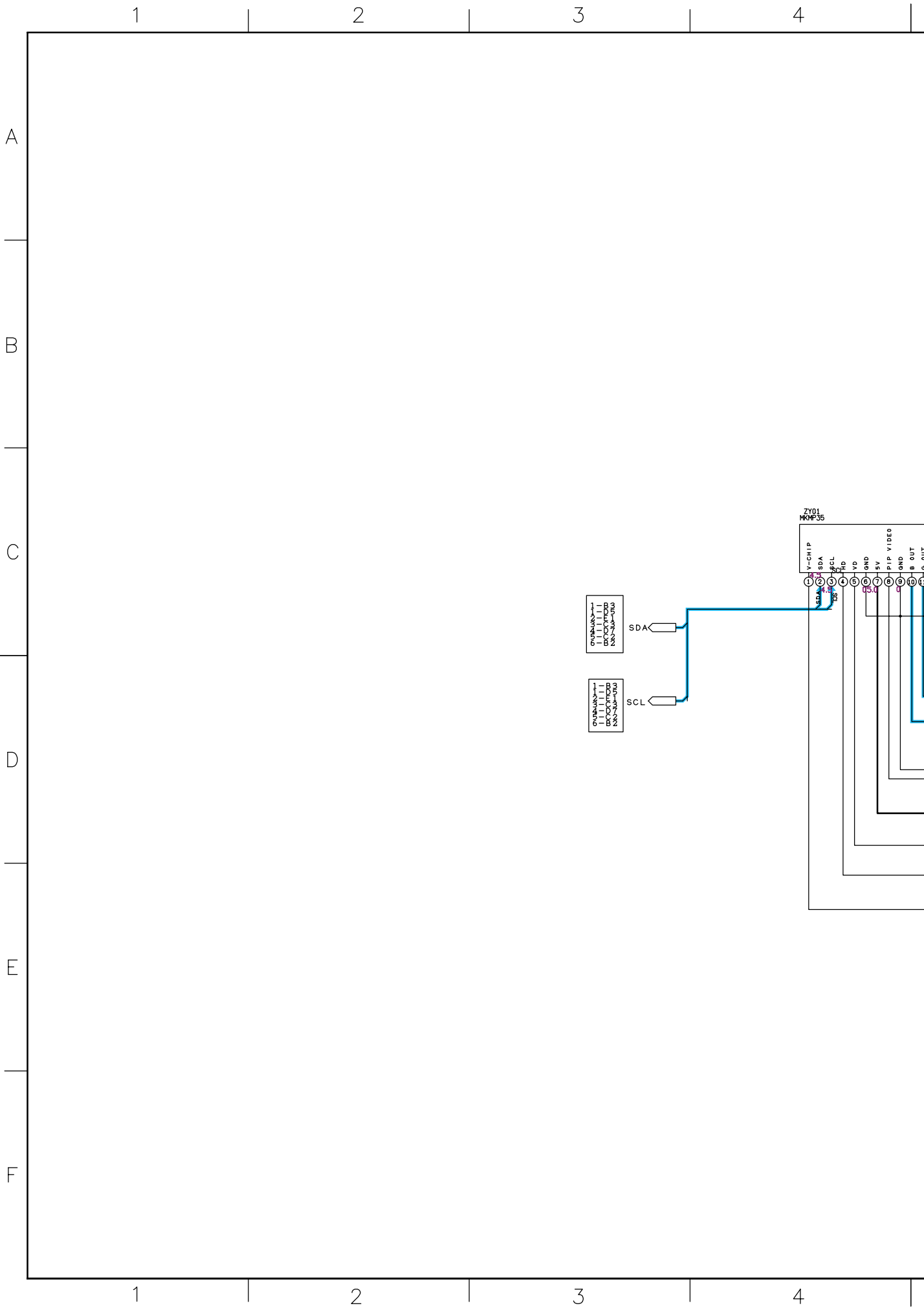
C

D

E

F





5

6

7

8

A

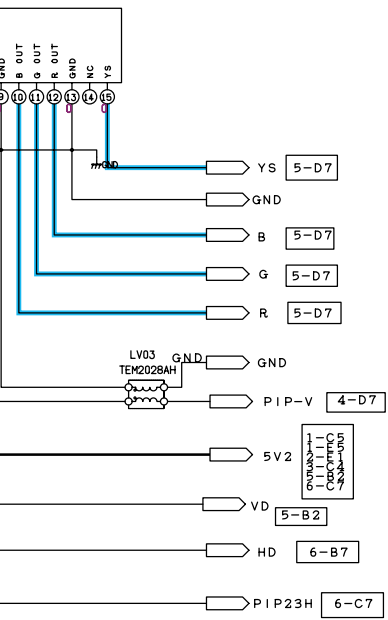
B

C

D

E

F



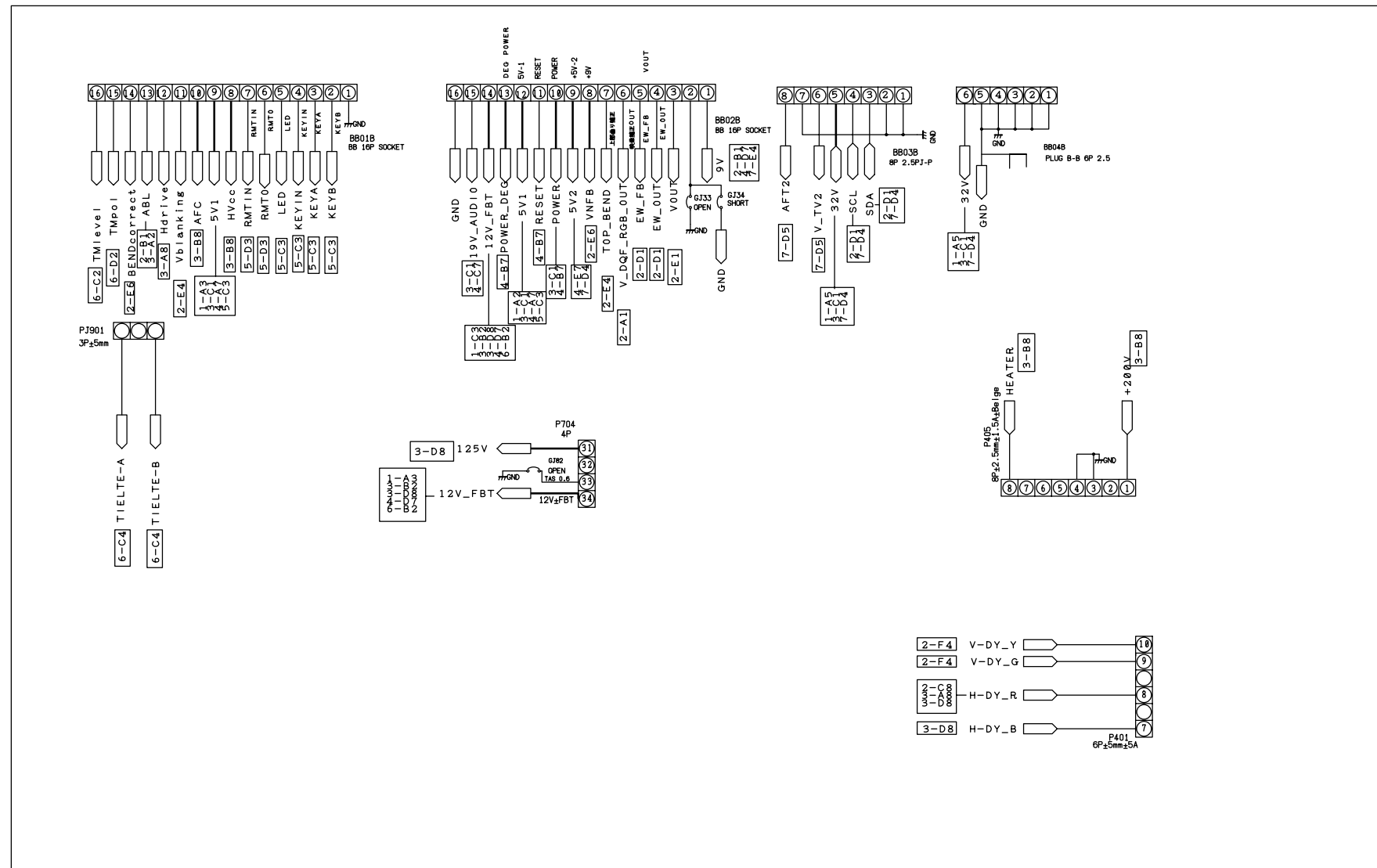
5

6

7

8

27AF62:PD0653A  
 27AF42:PD0653B 32A62:PD0701A



27AF62:PD0653A

27AF42:PD0653B 32A62:PD0701A

A

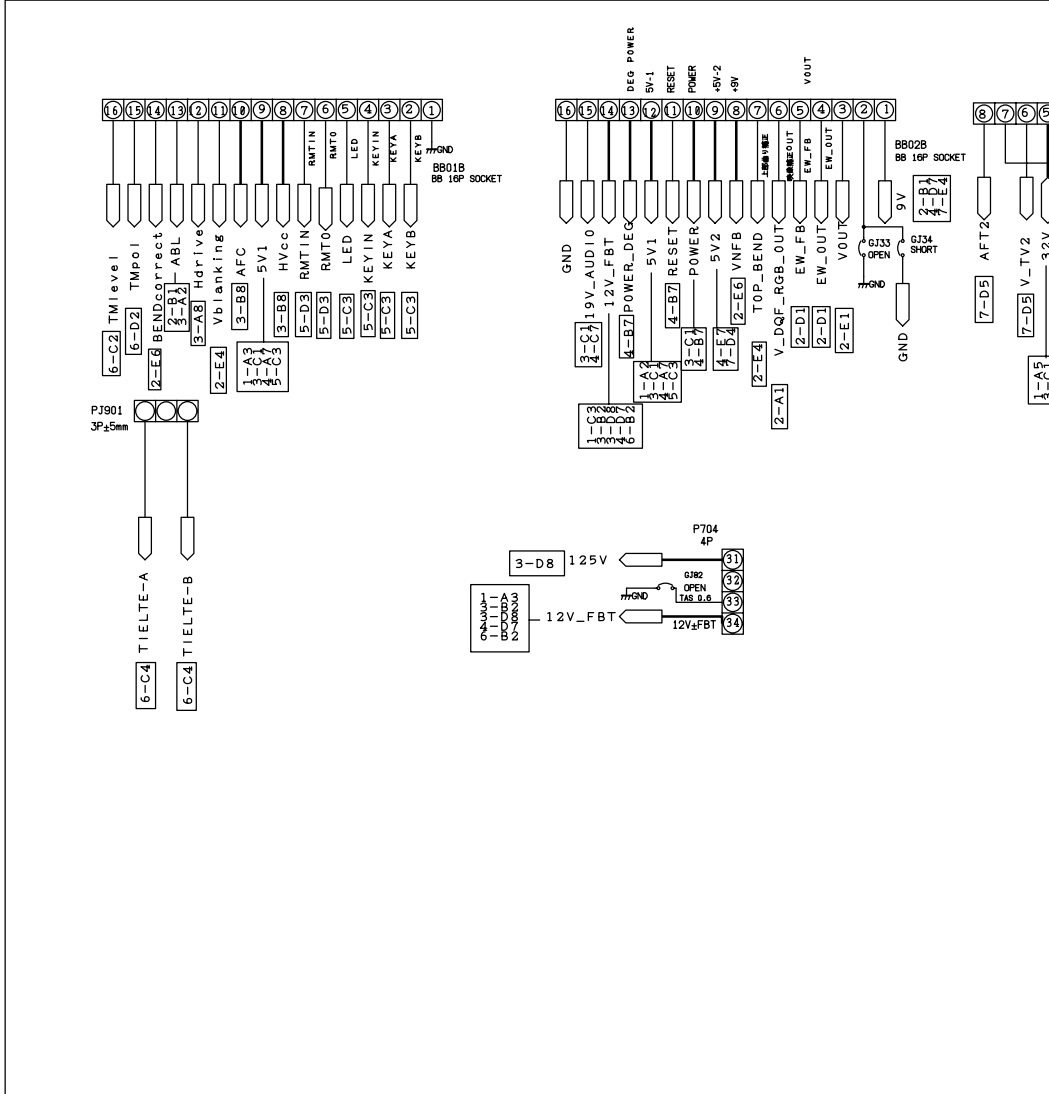
B

C

D

E

F



A

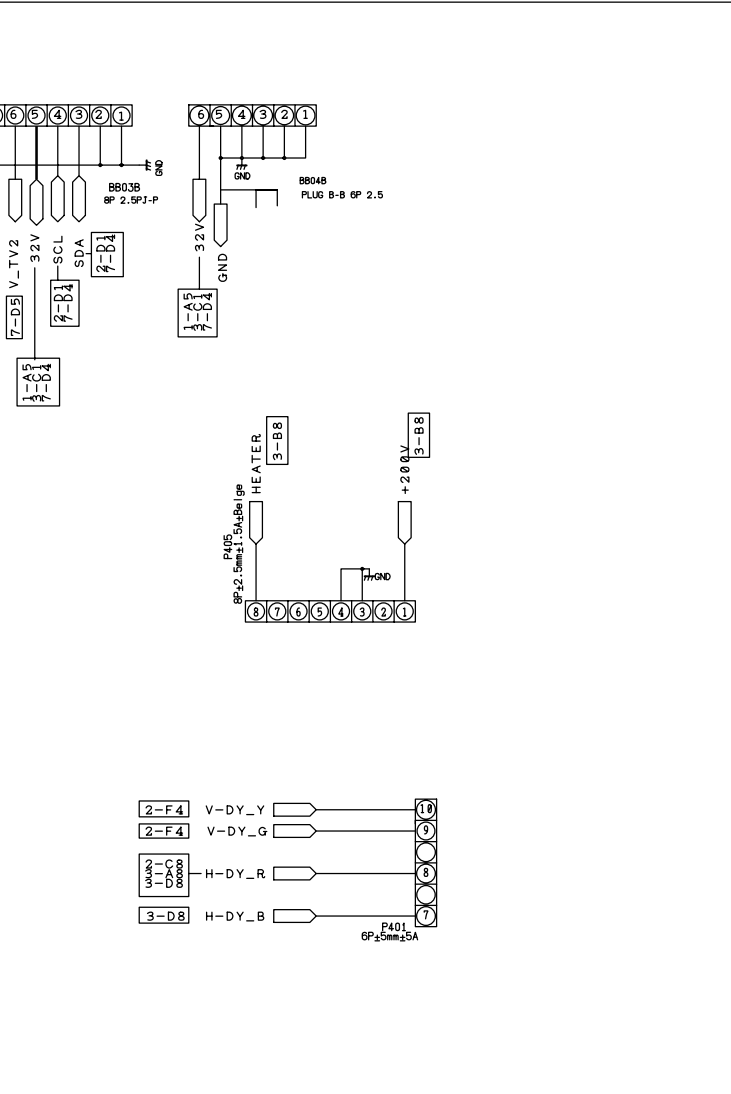
B

C

D

E

F



A

B

C

D

E

F

A

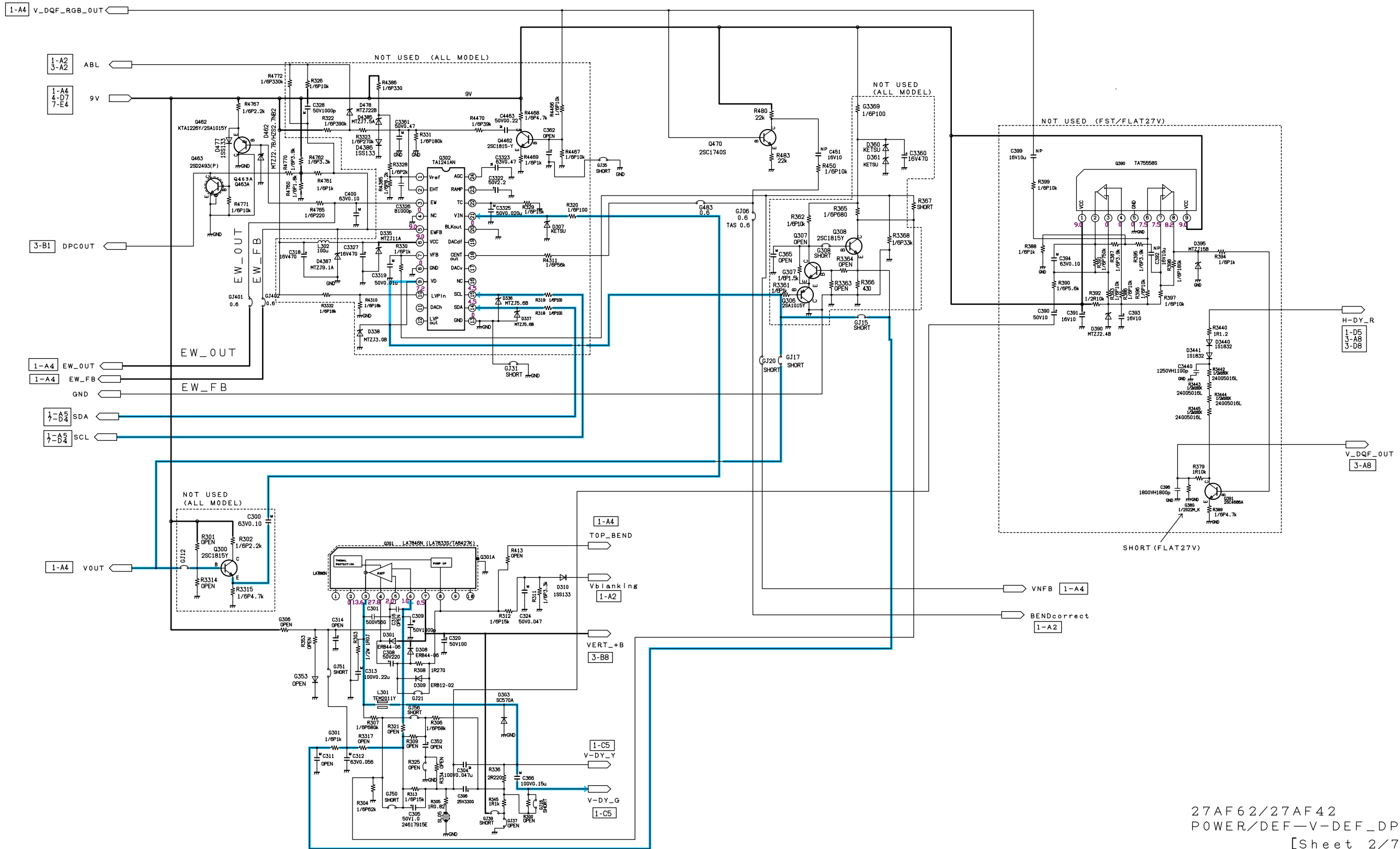
B

C

D

E

F



A

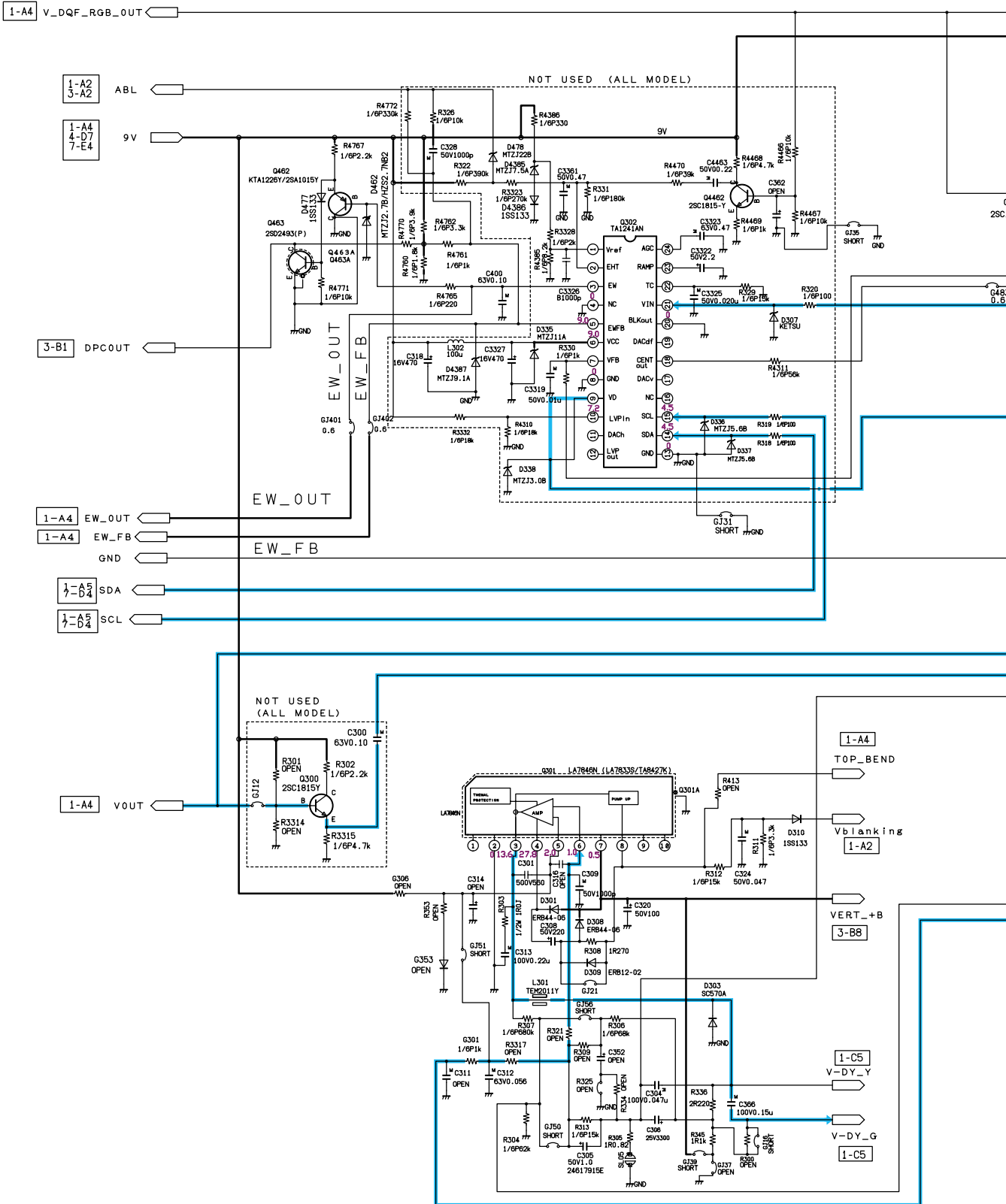
B

C

D

E

F









A

B

C

D

E

F

1-D5  
2-C8  
3-D8

H-drive 1-A2

V\_DQF\_OUT 2-D8

HVcc 1-A2

AFC 1-A2

VERT\_+B 2-E4

+200V 1-C6

HEATER 1-C5

1-C3

125V

12V\_FBT

H-DY\_R

H-DY\_B

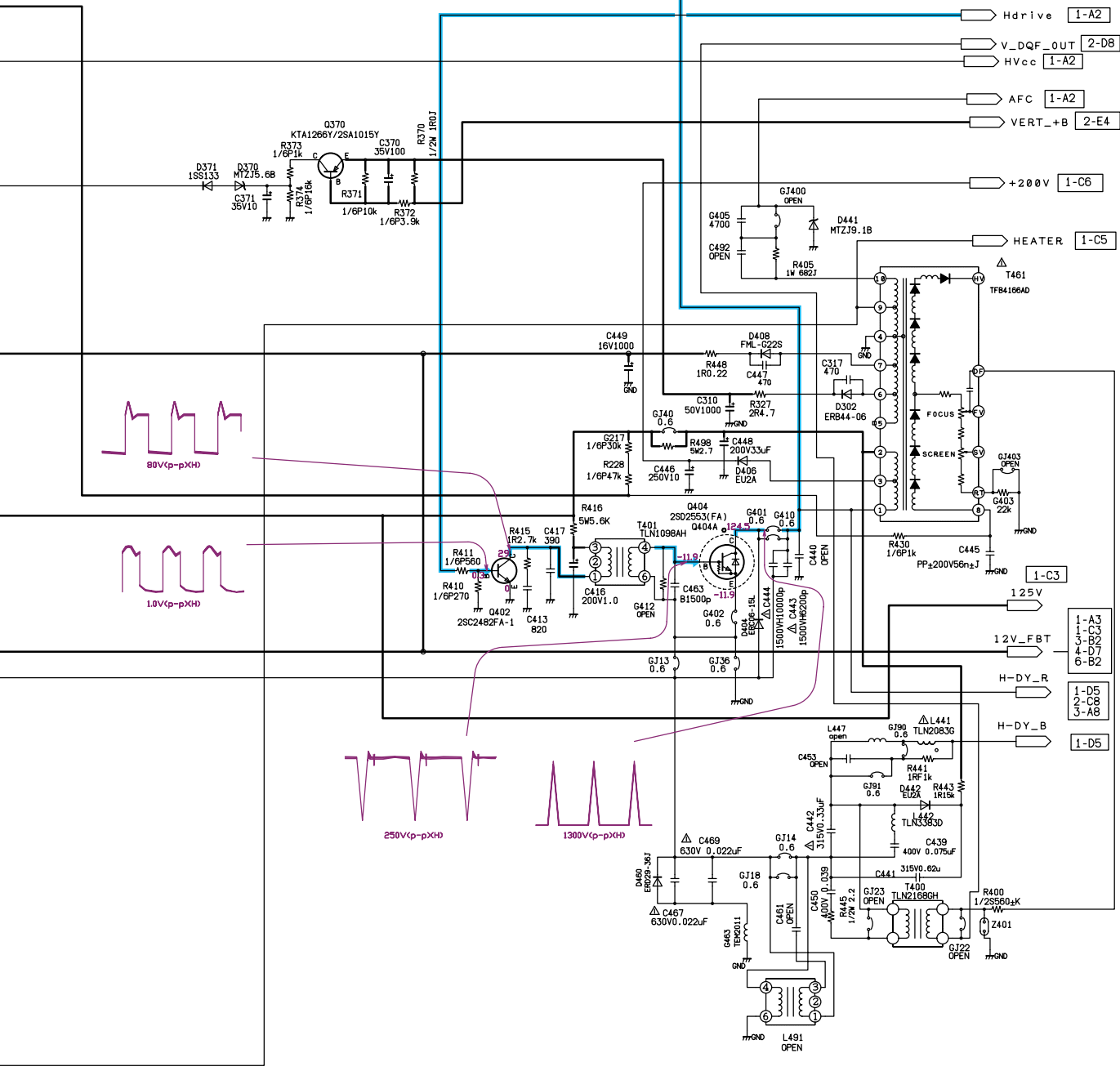
1-D5  
2-C8  
3-A8

1-D5

27AF62/27AF42

POWER/DEF-H-DEF

[Sheet 3/7]





A

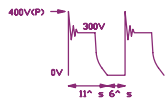
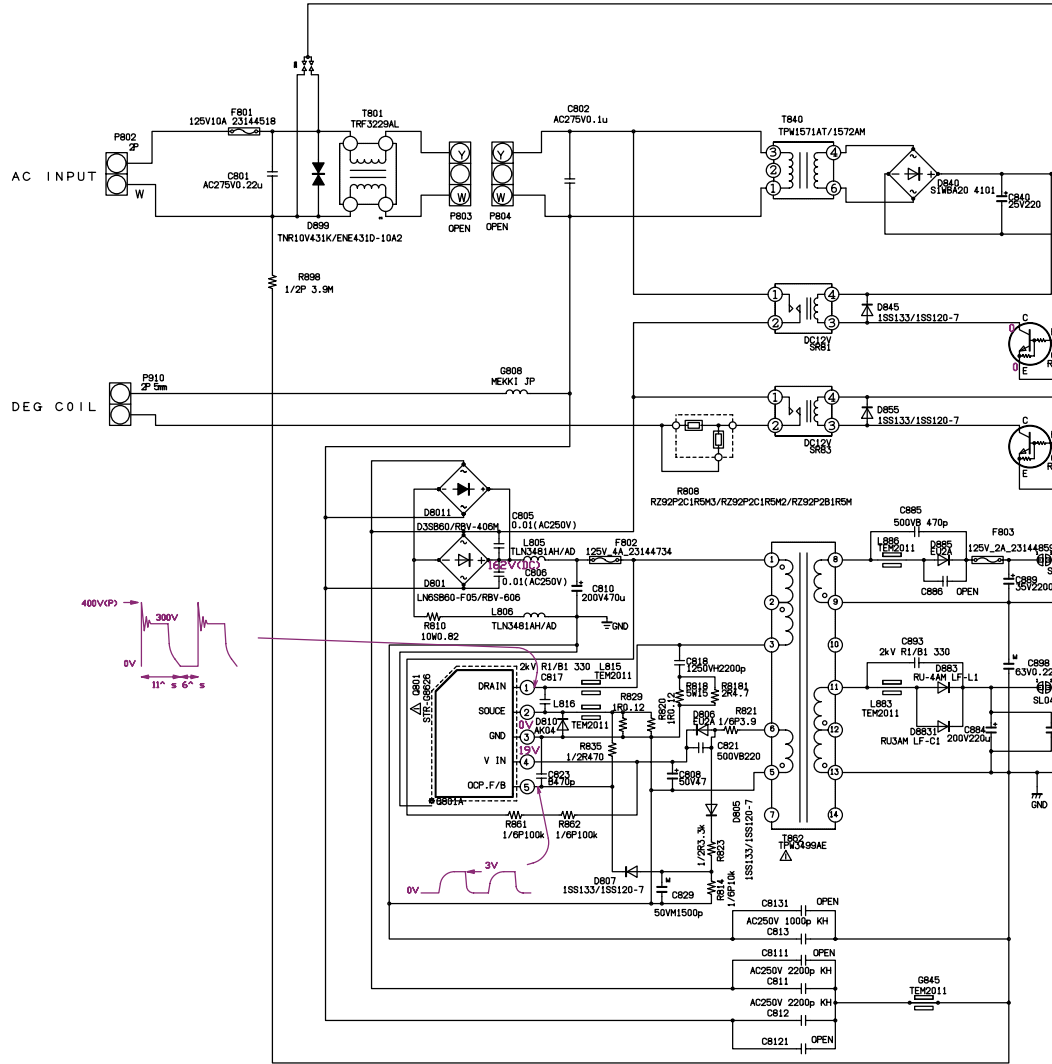
B

C

D

E

F



A

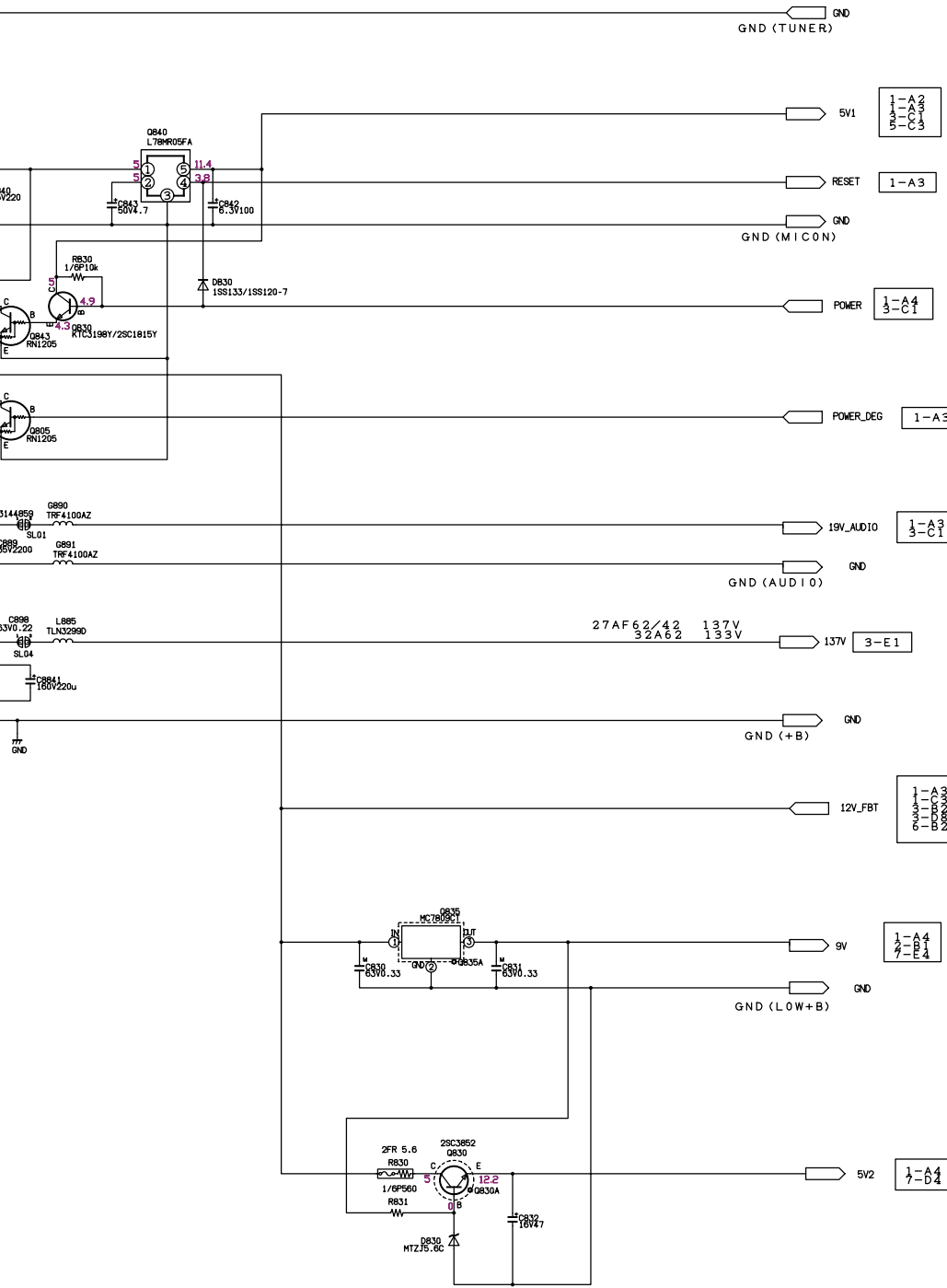
B

C

D

E

F



1

2

3

4

5

6

7

8

A

B

C

D

E

F

A

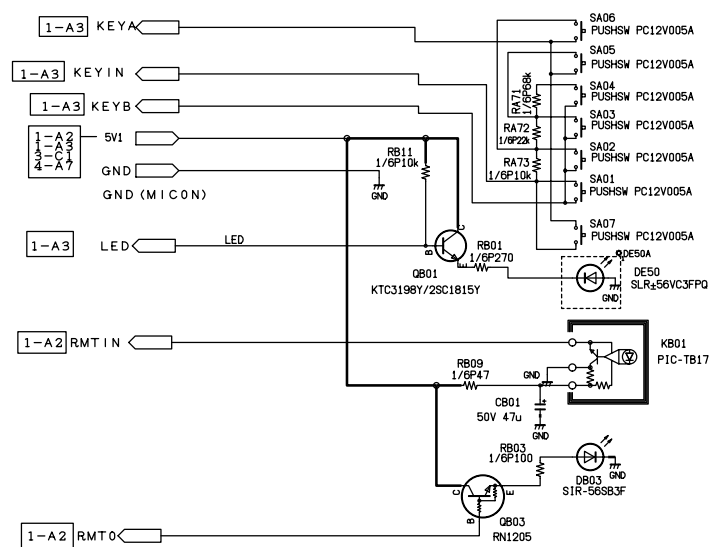
B

C

D

E

F



1

2

3

4

5

6

7

8

1

2

3

4

A

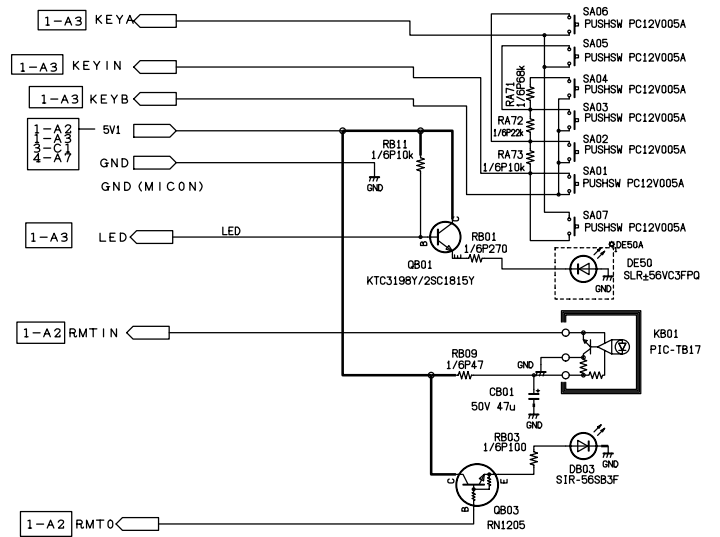
B

C

D

E

F



5

6

7

8

A

B

C

D

E

F

27AF62/27AF42  
POWER-DEF-KYE-LED  
[Sheet 5/7]

5

6

7

8

1

2

3

4

5

6

7

8

A

B

C

D

E

F

A

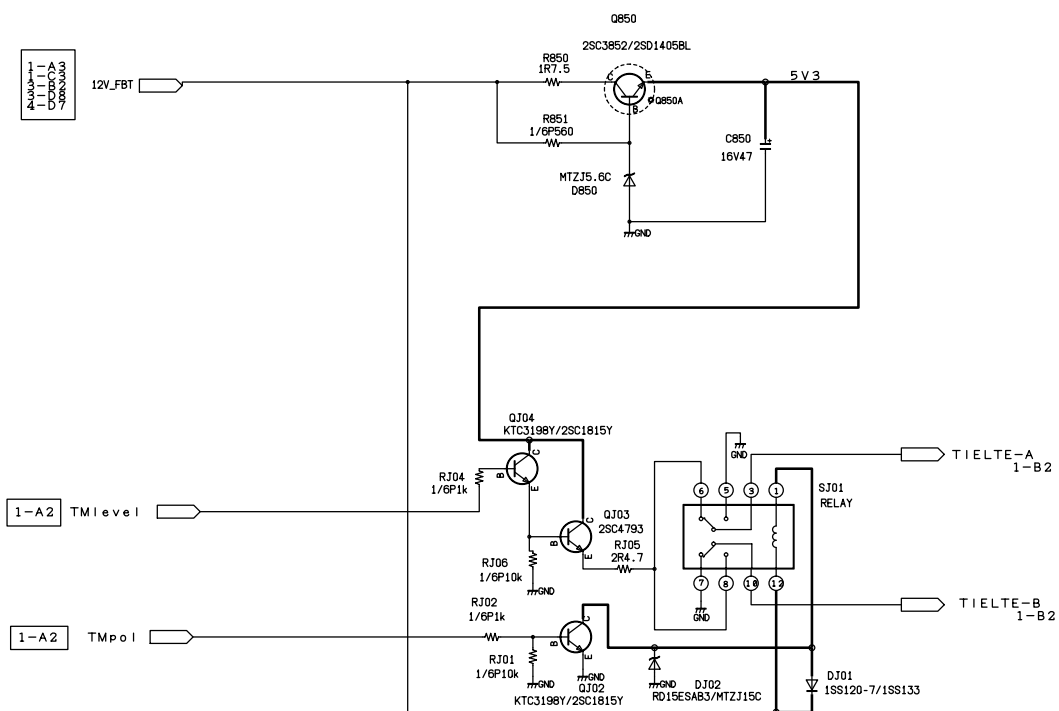
B

C

D

E

F



32A62 NOT USE

1

2

3

4

5

6

7

8

1

2

3

4

A

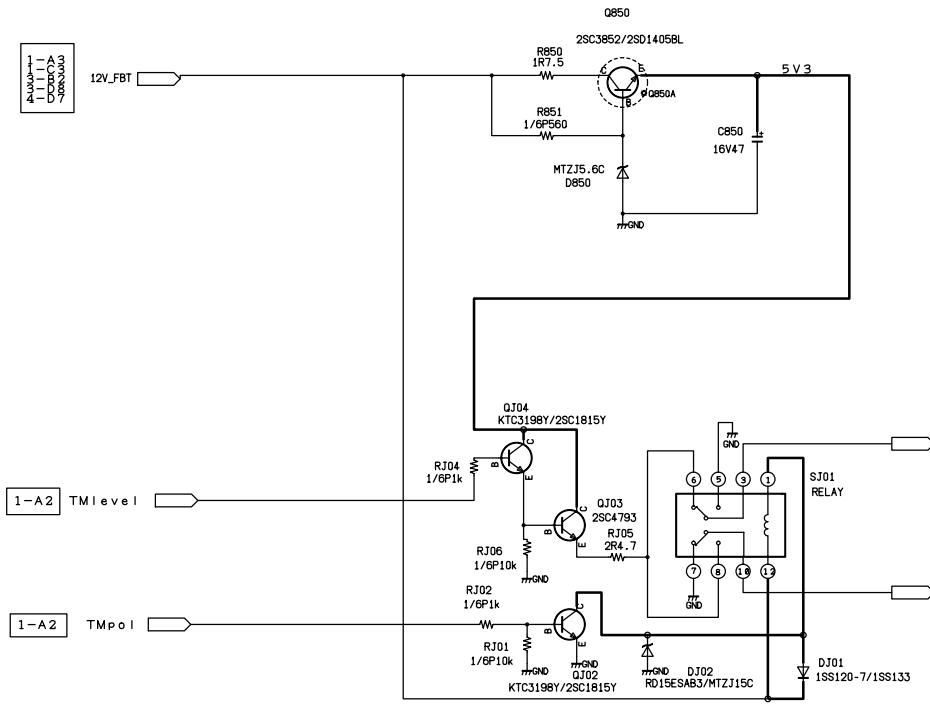
B

C

D

E

F



32A62 NOT USE

1

2

3

4

5

6

7

8

A

B

C

D

E

F

⇒ TIELTE-A  
1-B2

⇒ TIELTE-B  
1-B2

3

27AF62/27AF42  
POWER-DEF-TILT  
[Sheet 6/7]

5

6

7

8

1

2

3

4

5

6

7

8

A

B

C

D

E

F

A

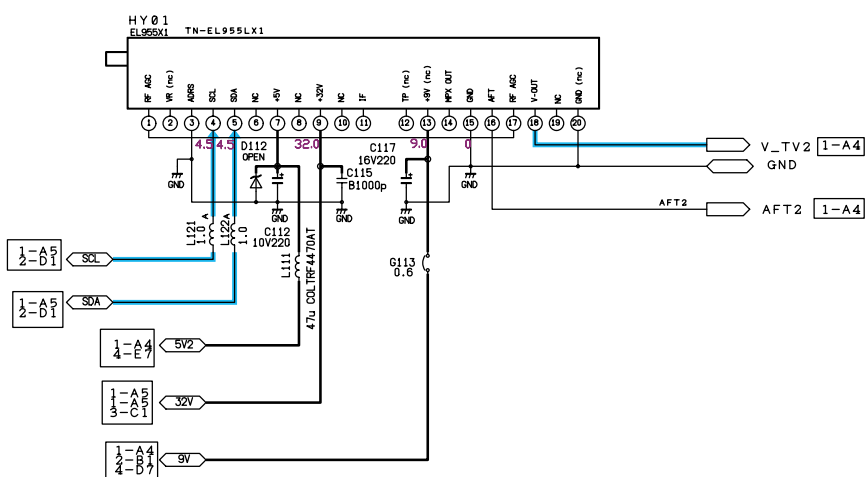
B

C

D

E

F



1

2

3

4

5

6

7

8

1

2

3

4

A

B

C

D

E

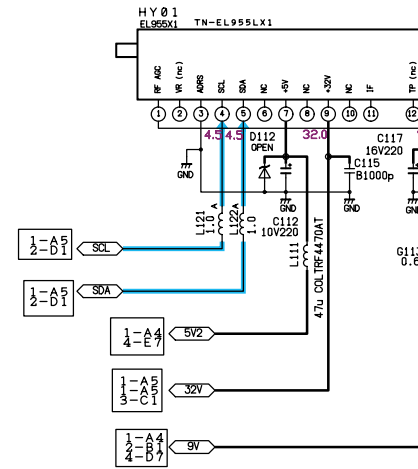
F

1

2

3

4



5

6

7

8

A

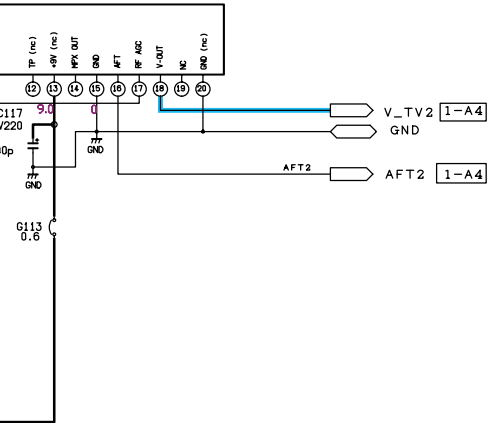
B

C

D

E

F



27AF62/27AF42  
 POWER/DEF-SUB-TUNER  
 [Sheet 7/7]

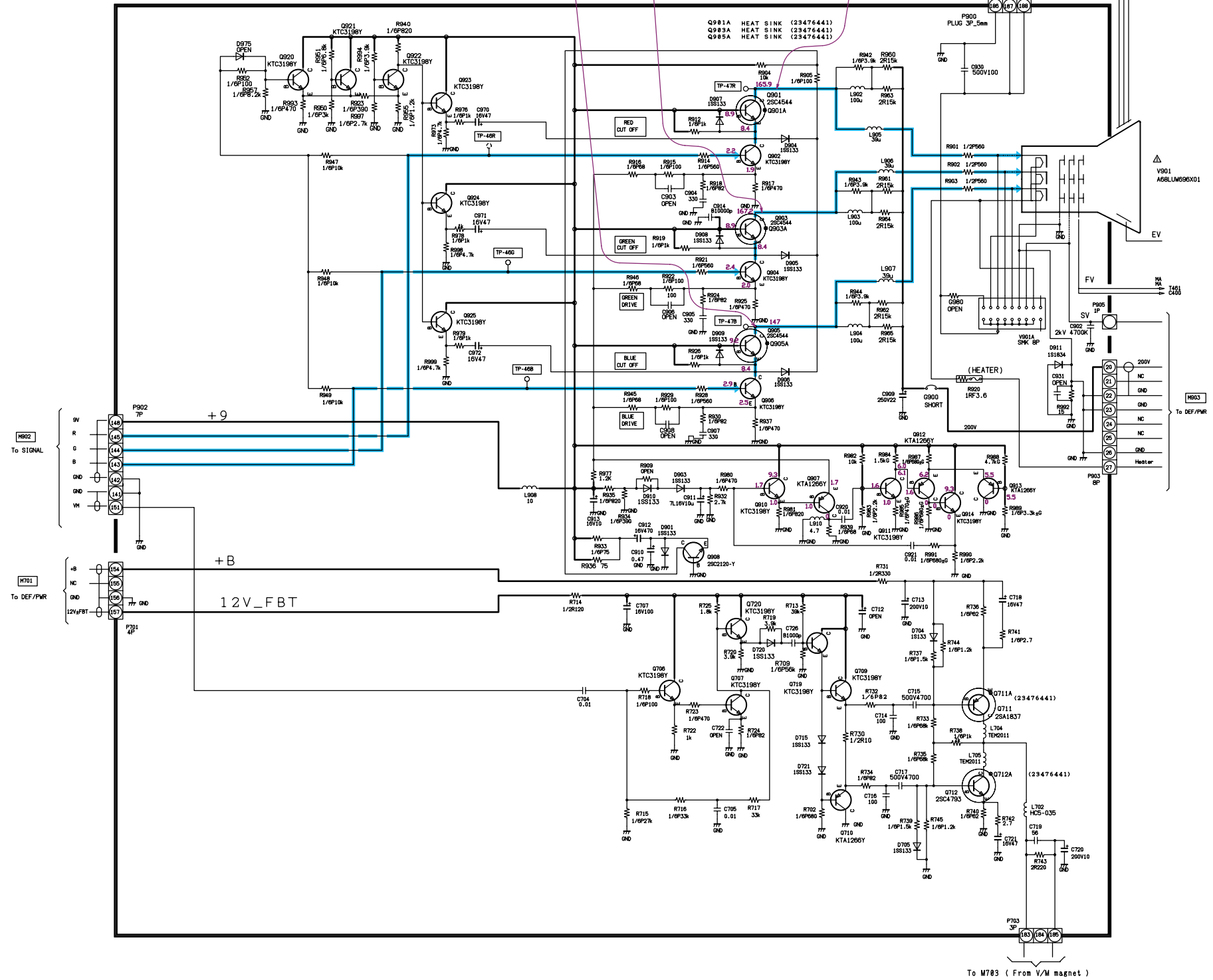
5

6

7

8

U901 CRT/D.VM PB9973H



27AF62/27AF42  
CRT-D VM

1

2

3

4

A

B

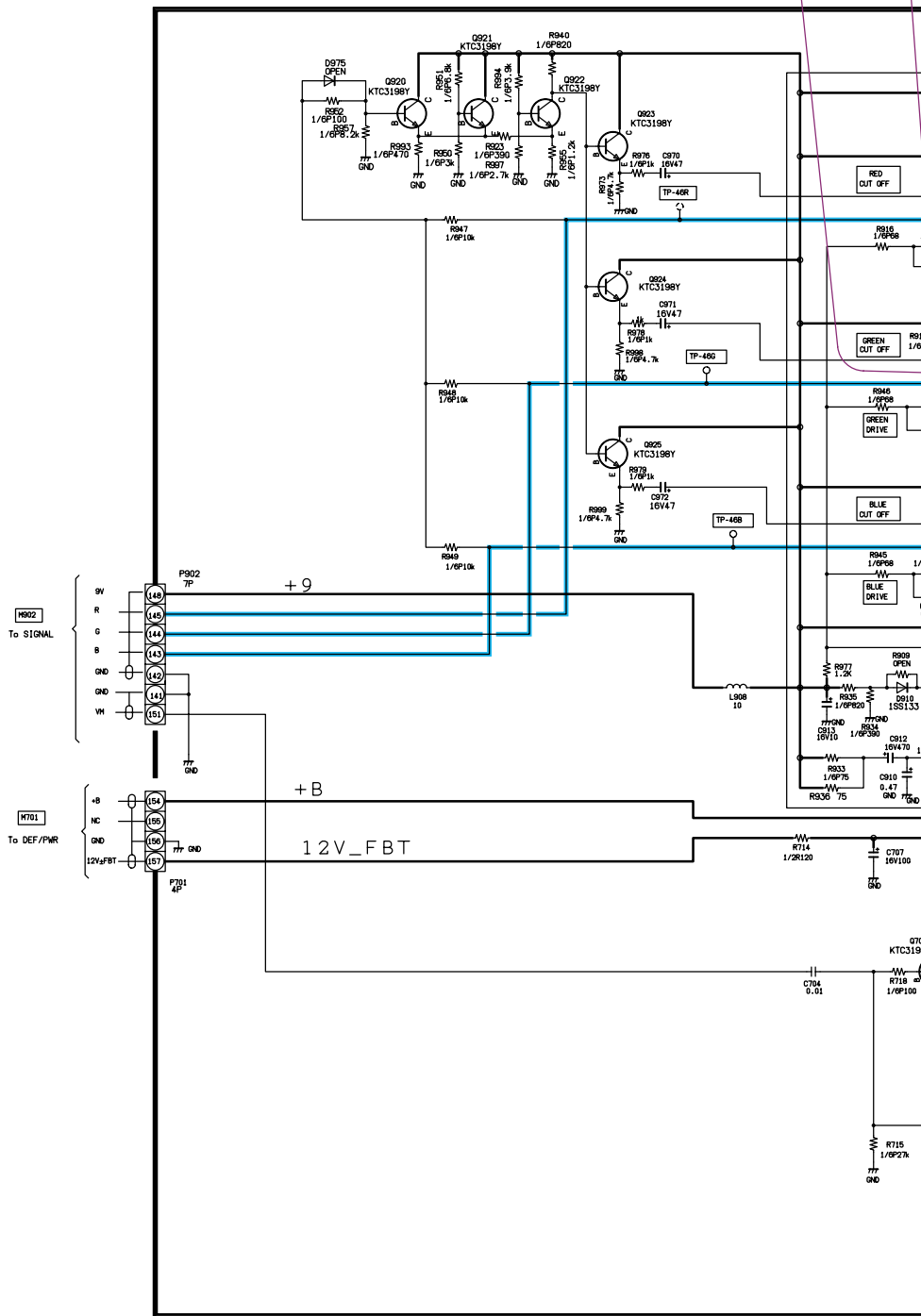
C

D

E

F

# U901 CRT/D.VM PB9973H



RED  
OUT OFF

GREEN  
OUT OFF

BLUE  
OUT OFF

BLUE  
DRIVE

RED  
OUT OFF

GREEN  
DRIVE

BLUE  
DRIVE

RED  
OUT OFF

GREEN  
DRIVE

BLUE  
DRIVE

To SIGNAL

To DEF/PWR

+9

+B

12V\_FBT

RED  
OUT OFF

GREEN  
DRIVE

BLUE  
DRIVE

RED  
OUT OFF

GREEN  
DRIVE

BLUE  
DRIVE

1

2

3

4

