

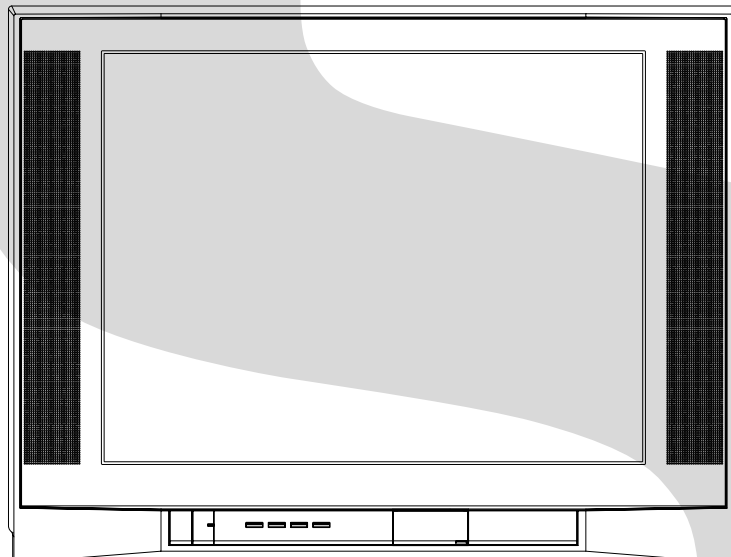
# TOSHIBA

FILE NO. 050-200310

## SERVICE MANUAL

## COLOR TELEVISION

# 24AF43



## SERVICING NOTICES ON CHECKING

### 1. KEEP THE NOTICES

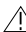
As for the places which need special attentions, they are indicated with the labels or seals on the cabinet, chassis and parts. Make sure to keep the indications and notices in the operation manual.

### 2. AVOID AN ELECTRIC SHOCK

There is a high voltage part inside. Avoid an electric shock while the electric current is flowing.

### 3. USE THE DESIGNATED PARTS

The parts in this equipment have the specific characters of incombustibility and withstand voltage for safety. Therefore, the part which is replaced should be used the part which has the same character.

Especially as to the important parts for safety which is indicated in the circuit diagram or the table of parts as a  mark, the designated parts must be used.

### 4. PUT PARTS AND WIRES IN THE ORIGINAL POSITION AFTER ASSEMBLING OR WIRING

There are parts which use the insulation material such as a tube or tape for safety, or which are assembled in the condition that these do not contact with the printed board. The inside wiring is designed not to get closer to the pyrogenic parts and high voltage parts. Therefore, put these parts in the original positions.

### 5. TAKE CARE TO DEAL WITH THE CATHODE-RAY TUBE

In the condition that an explosion-proof cathode-ray tube is set in this equipment, safety is secured against implosion. However, when removing it or serving from backward, it is dangerous to give a shock. Take enough care to deal with it.

### 6. AVOID AN X-RAY

Safety is secured against an X-ray by considering about the cathode-ray tube and the high voltage peripheral circuit, etc.

Therefore, when repairing the high voltage peripheral circuit, use the designated parts and make sure not modify the circuit.

Repairing except indicates causes rising of high voltage, and it emits an X-ray from the cathode-ray tube.

### 7. PERFORM A SAFETY CHECK AFTER SERVICING

Confirm that the screws, parts and wiring which were removed in order to service are put in the original positions, or whether there are the portions which are deteriorated around the serviced places serviced or not. Check the insulation between the antenna terminal or external metal and the AC cord plug blades. And be sure the safety of that.

#### (INSULATION CHECK PROCEDURE)

1. Unplug the plug from the AC outlet.
2. Remove the antenna terminal on TV and turn on the TV.
3. Insulation resistance between the cord plug terminals and the external exposure metal **[Note 2]** should be more than 1M ohm by using the 500V insulation resistance meter **[Note 1]**.
4. If the insulation resistance is less than 1M ohm, the inspection repair should be required.

#### **[Note 1]**

If you have not the 500V insulation resistance meter, use a Tester.

#### **[Note 2]**

External exposure metal: Antenna terminal  
Earphone jack

## HOW TO ORDER PARTS

Please include the following informations when you order parts. (Particularly the VERSION LETTER.)

#### 1. MODEL NUMBER and VERSION LETTER

The MODEL NUMBER can be found on the back of each product and the VERSION LETTER can be found at the end of the SERIAL NUMBER.

#### 2. PART NO. and DESCRIPTION

You can find it in your SERVICE MANUAL.

## IMPORTANT

Inferior silicon grease can damage IC's and transistors.

When replacing an IC's or transistors, use only specified silicon grease (YG6260M).

Remove all old silicon before applying new silicon.

# TABLE OF CONTENTS

<b>SERVICING NOTICES ON CHECKING</b> .....	A1-1
<b>HOW TO ORDER PARTS</b> .....	A1-1
<b>IMPORTANT</b> .....	A1-1
<b>TABLE OF CONTENTS</b> .....	A2-1
<b>GENERAL SPECIFICATIONS</b> .....	A3-1~A3-5
<b>DISASSEMBLY INSTRUCTIONS</b>	
1. REMOVAL OF ANODE CAP .....	B1-1
2. REMOVAL AND INSTALLATION OF FLAT PACKAGE IC .....	B2-1, B2-2
<b>SERVICE MODE LIST</b> .....	C1-1
<b>CONFIRMATION OF HOURS USED</b> .....	C1-1
<b>WHEN REPLACING EEPROM (MEMORY) IC</b> .....	C1-1
<b>ELECTRICAL ADJUSTMENTS</b> .....	D-1~D-5
<b>BLOCK DIAGRAMS</b> .....	E-1, E-2
<b>PRINTED CIRCUIT BOARDS</b>	
MAIN/CRT .....	F-1~F-4
CRT/VM COIL .....	F-5
<b>SCHEMATIC DIAGRAMS</b>	
MICON .....	G-1, G-2
CHROMA .....	G-3, G-4
DEFLECTION .....	G-5, G-6
POWER .....	G-7, G-8
SOUND .....	G-9, G-10
TUNER/STEREO .....	G-11, G-12
AV .....	G-13, G-14
COMB/FILTER .....	G-15, G-16
CRT .....	G-17, G-18
<b>WAVEFORMS</b> .....	H-1, H-2
<b>MECHANICAL EXPLODED VIEWS</b> .....	I-1
<b>MECHANICAL REPLACEMENT PARTS LIST</b> .....	J1-1
<b>ELECTRICAL REPLACEMENT PARTS LIST</b> .....	J2-1~J2-5

## GENERAL SPECIFICATIONS

G-1	TV System	CRT	CRT Size / Visual Size	24 inch / 600mmV	
			CRT Type	Flat	
			Deflection	101 degree	
			Magnetic Field BV/BH	+0.45G/0.18G	
			Color System	NTSC	
			Speaker	2 Speaker	
				Position	Front Side
				Size	2 x 4.7 Inch
				Impedance	8 ohm
			Sound Output	MAX	5.0+5.0 W
		10%(Typical)	4.0+4.0 W		
	NTSC3.58+4.43 /PAL60Hz		No		
G-2	Tuning System	Broadcasting System		US System M	
		Tuner and Receive CH	System	1Tuner	
			Destination	USA(W/ CATV)	
			Tuning System	F-Synth	
			Input Impedance	VHF/UHF 75 ohm	
			CH Coverage	2 - 69, 4A, A-5 - A-1, A - I, J - W, W+1 - W+84	
		Intermediate Frequency	Picture(FP)	45.75MHz	
			Sound(FS)	41.25MHz	
			FP-FS	4.50MHz	
			Preset CH	No	
	Stereo/Dual TV Sound	Yes			
	Tuner Sound Muting	Yes			
G-3	Power	Power Source	AC	120V AC 60Hz	
			DC		
		Power Consumption		at AC	
			Stand by (at AC) Per Year	125 W at AC 120 V 60 Hz 3 W at AC 120 V 60 Hz -- kWh/Year	
	Protector	Power Fuse	Yes		
G-4	Regulation	Safety		UL/CSA	
		Radiation		FCC/IC	
		X-Radiation		DHHS/HWC	
G-5	Temperature	Operation		+5oC ~ +40oC	
		Storage		-20oC ~ +60oC	
G-6	Operating Humidity			Less than 80% RH	

# GENERAL SPECIFICATIONS

G-7	On Screen Display	Menu		Yes	
		Menu Type		Icon	
		Picture		Yes	
			Contrast		Yes
			Brightness		Yes
			Color		Yes
			Tint		Yes
			Sharpness		Yes
			Sound		Yes
			Bass		Yes
			Treble		Yes
			Balance		Yes
			BBE On/Off		Yes
			Stable Sound On/Off		Yes
			Surround On/Off		Yes
			Set Up		Yes
			TV/CATV		Yes
			Auto CH Memory		Yes
			Add/ Delete		Yes
			Option		Yes
			Language		Yes
			CH Label		Yes
			Favorite CH		Yes
			V-Chip		Yes
			Lock		Yes
			On/Off Timer		Yes
			Color Stream DVD/DTV		Yes
			Control Level		Yes
			Volume		Yes
			Brightness		Yes
			Contrast		Yes
	Color		Yes		
	Tint (NTSC Only)		Yes		
	Sharpness		Yes		
	Tuning		No		
	Bass		Yes		
	Treble		Yes		
	Balance		Yes		
	Back Light		No		
	Stereo,Audio Output,SAP		Yes		
	Video		Yes		
	Color Stream		Yes		
	Channel(TV/Cable)		Yes		
	CH Label		Yes		
	Game Timer		Yes		
	Sleep Timer		Yes		
	Sound Mute		Yes		
	V-chip Rating		Yes		
	16: 9		Yes		
G-8	OSD Language		English French Spanish		
G-9	Clock and Timer	Sleep Timer	Max Time	120 Min	
			Step	_ 10 _ Min_	
		On/Off Timer	Program(On Timer / Off Timer)	Yes	
		Wake Up Timer		No	
	Timer Back-up (at Power Off Mode)	more than	-- Min Sec		

# GENERAL SPECIFICATIONS

<b>G-10</b>	<b>Remote Control</b>	Unit	RC-GF	
		Glow in Dark Remocon	Yes	
		Format	Toshiba	
		Custom Code	TV:40-BFh	
		Power Source	Voltage(D.C) UM size x pcs	3V UM-4 x 2 pcs
		Total Keys		49 Keys
		Keys	Power	Yes
			1	Yes
			2	Yes
			3	Yes
			4	Yes
			5	Yes
			6	Yes
			7	Yes
			8	Yes
			9	Yes
			0	Yes
			100	Yes
			CH Up/+	Yes
			CH Down/-	Yes
			Volume Up/+	Yes
			Volume Down/-	Yes
			C.C.(TV/Caption/Text)	Yes
			CH1/CH2	Yes
			TV/Video(Input Select)	Yes
			CH RTN(Quick View)	Yes
			SLEEP	Yes
			RECALL(Call)	Yes
			Reset	Yes
			Menu/Enter	Yes
			Mute	Yes
			Exit	Yes
			MTS(Audio Select)	Yes
			Fav. Up	Yes
			Fav. Down	Yes
			16: 9	Yes
			Multi Brand Keys	
			CH Up(VCR)	Yes
			CH Down(VCR)	Yes
			Pause/Still	Yes
			TV/VCR(VCR)	Yes
			FF	Yes
			Rew	Yes
			Rec	Yes
			Play	Yes
			Stop	Yes
			TV	Yes
			VCR	Yes
			Cable	Yes
			DVD	Yes
	CODE	Yes		
	DVD MENU <	Yes		
	DVD MENU >	Yes		
	DVD CLEAR	Yes		
	TOP MENU	Yes		
	DVD MENU	Yes		

## GENERAL SPECIFICATIONS

G-11	Features	Auto Degauss	Yes	
		Auto Shut Off	Yes	
		Canal+	No	
		CATV	Yes	
		Anti-theft	No	
		Rental	No	
		Memory(Last CH)	Yes	
		Memory(Last Volume)	Yes	
		V-Chip	Yes	
			Type	USA, Toshiba Type
		BBE	Yes	
		Auto Search	No	
		CH Allocation	No	
		SAP	Yes	
		Just Clock Function	No	
		CH Label	Yes	
		VM Circuit	Yes	
		Full OSD	No	
		Premiere	No	
		Comb Filter	Yes	
				3 Lines
		Auto CH Memory	Yes	
		Hotel Lock	No	
		Closed Caption	Yes	
		Stable Sound	Yes	
		FBT Leak Test Protect	Yes	
		CH Lock	Yes	
		Video Lock	Yes	
		Game Timer (Max Time:120 Min)	Yes	
		Energy Star	Yes	
		Favorite CH	Yes	
		Surround	Yes	
		16:9 Mode	Yes	
G-12	Accessories	Owner's Manual	Language W/ Warranty	English / French Yes
		Remote Control Unit		Yes
		Rod Antenna		No
			Poles Terminal	
		Loop Antenna		No
			Terminal	-
		U/V Mixer		No
		DC Car Cord (Center+)		No
		Guarantee Card		No
		Warning Sheet		No
		Circuit Diagram		No
		Antenna Change Plug		No
		Service Station List		No
		Important Safety Instruction		No
		Dew/AHC Caution Sheet		No
		AC Plug Adapter		No
		Quick Set-up Sheet		No
		Battery		Yes
			UM size x pcs OEM Brand	UM-4 x 2 No
		AC Cord		No
		AV Cord (2Pin-1Pin)		No
		Registration Card (NDL Card)		Yes
		PTB Sheet		No
ESP Card		Yes		
300 ohm to 75 ohm Antenna Adapter		No		

# GENERAL SPECIFICATIONS

<b>G-13</b>	<b>Interface</b>	Switch	Front	Power	Yes
				System Select	No
				Main Power SW	No
				Sub Power	No
				Channel Up	Yes
				Channel Down	Yes
				Volume Up	Yes
				Volume Down	Yes
				Rear	AC/DC
		TV/CATV Selector	No		
		Degauss	No		
		Main Power SW	No		
		Indicator	Power	Yes(RED)	
			Stand-by	No	
			On Timer	No	
		Terminals	Front	Video Input = VIDEO3	RCA
				Audio Input = VIDEO3	RCA x 2
				Other Terminal	Head Phone
			Rear	Video Input(Rear1) = VIDEO1	RCA
				Video Input(Rear2) = VIDEO2	RCA
				Audio Input(Rear1) = VIDEO1	RCA x 2
				Audio Input(Rear2) = VIDEO2	RCA x 2
				Video Output	RCA
				Audio Output	RCA x 2
Euro Scart	No				
Color Stream	RCA x 3				
S Input	Yes				
Diversity	No				
Ext Speaker	No				
DC Jack 12V(Center +)	No				
VHF/UHF Antenna Input	F Type				
AC Outlet	No				
<b>G-14</b>	<b>Set Size</b>	Approx. W x D x H (mm)		670 x 471.5 x 509	
<b>G-15</b>	<b>Weight</b>	Net (Approx.)		33 kg (72.8 lbs)	
		Gross (Approx.)		36.5 kg (80.5 lbs)	
<b>G-16</b>	<b>Carton</b>	Master Carton		No	
			Content	--- Sets	
			Material	-- /--	
			Dimensions W x D x H(mm)	-- x -- x --	
			Description of Origin	No	
			Gift Box	Yes	
		Material		Double/Brown	
		Dimensions W x D x H(mm)		760 x 589 x 614	
		Design		As per Buyer's	
		Description of Origin		Yes	
		Drop Test		Natural Dropping At 1 Corner / 3 Edges / 6 Surfaces	
			Height (cm)	31	
	Container Stuffing	180 Sets/40' container			
<b>G-17</b>	<b>Cabinet Material</b>	Cabinet	Cabinet Front	PS 94V0 DECABROM	
			Cabinet Rear	PS 94V0 DECABROM	
		PCB	Non-Halogen Demand	No	
			Eyelet Demand	Yes	

# DISASSEMBLY INSTRUCTIONS

## 1. REMOVAL OF ANODE CAP

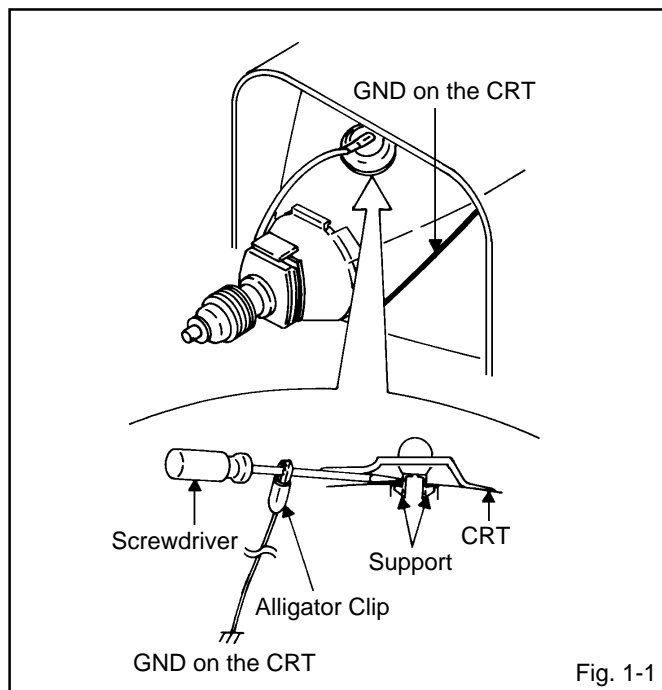
Read the following **NOTED** items before starting work.

- \* After turning the power off there might still be a potential voltage that is very dangerous. When removing the Anode Cap, make sure to discharge the Anode Cap's potential voltage.
- \* Do not use pliers to loosen or tighten the Anode Cap terminal, this may cause the spring to be damaged.

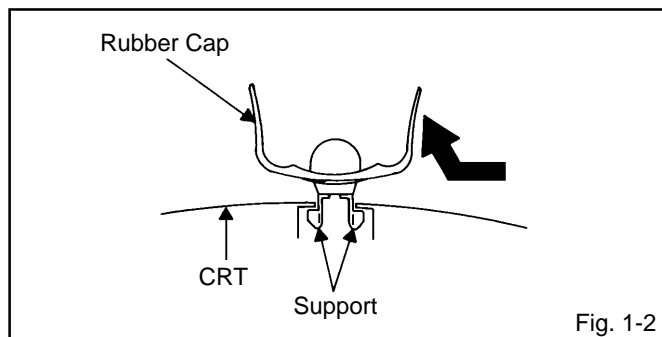
### REMOVAL

1. Follow the steps as follows to discharge the Anode Cap. (Refer to Fig. 1-1.)

Connect one end of an Alligator Clip to the metal part of a flat-blade screwdriver and the other end to ground. While holding the plastic part of the insulated Screwdriver, touch the support of the Anode with the tip of the Screwdriver. A cracking noise will be heard as the voltage is discharged.



2. Flip up the sides of the Rubber Cap in the direction of the arrow and remove one side of the support. (Refer to Fig. 1-2.)



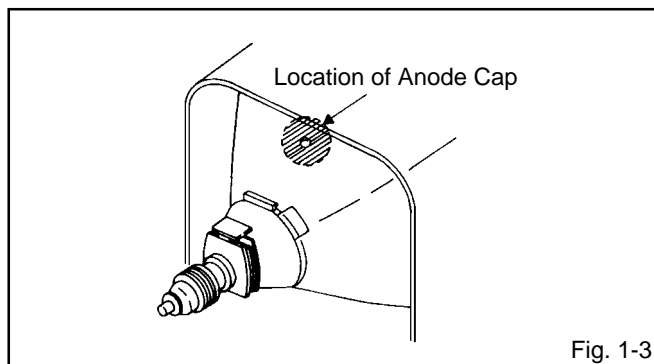
3. After one side is removed, pull in the opposite direction to remove the other.

### NOTE

Take care not to damage the Rubber Cap.

### INSTALLATION

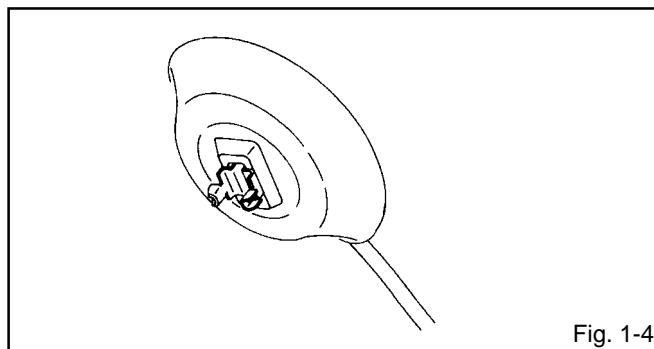
1. Clean the spot where the cap was located with a small amount of alcohol. (Refer to Fig. 1-3.)



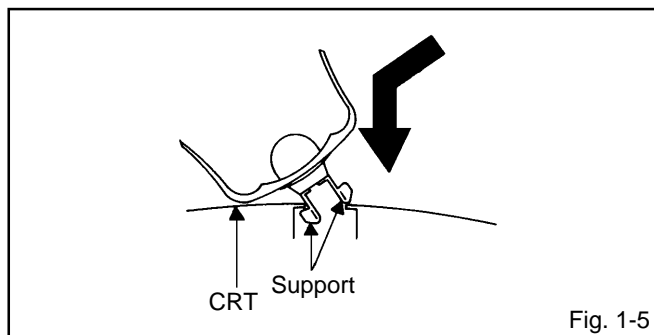
### NOTE

Confirm that there is no dirt, dust, etc. at the spot where the cap was located.

2. Arrange the wire of the Anode Cap and make sure the wire is not twisted.
3. Turn over the Rubber Cap. (Refer to Fig. 1-4.)



4. Insert one end of the Anode Support into the anode button, then the other as shown in Fig. 1-5.



5. Confirm that the Support is securely connected.
6. Put on the Rubber Cap without moving any parts.

# DISASSEMBLY INSTRUCTIONS

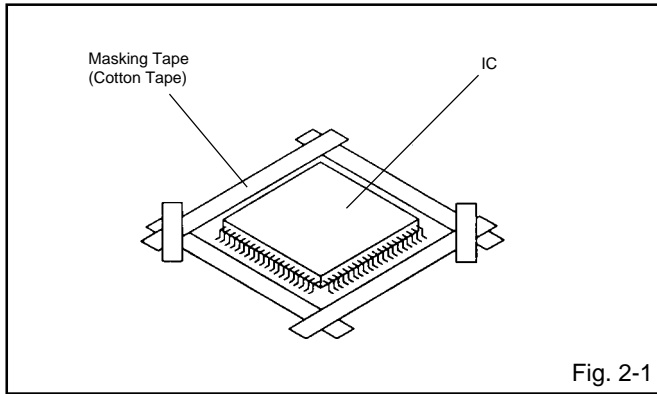
## 2. REMOVAL AND INSTALLATION OF FLAT PACKAGE IC

### REMOVAL

1. Put the Masking Tape (cotton tape) around the Flat Package IC to protect other parts from any damage. (Refer to Fig. 2-1.)

#### NOTE

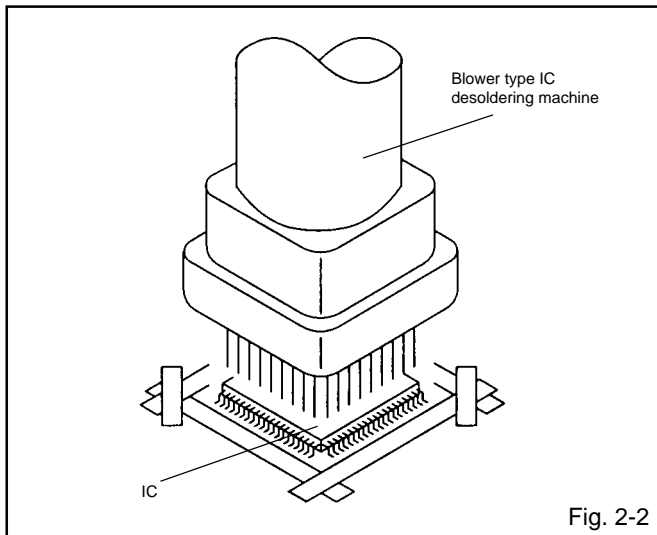
Masking is carried out on all the parts located within 10 mm distance from IC leads.



2. Heat the IC leads using a blower type IC desoldering machine. (Refer to Fig. 2-2.)

#### NOTE

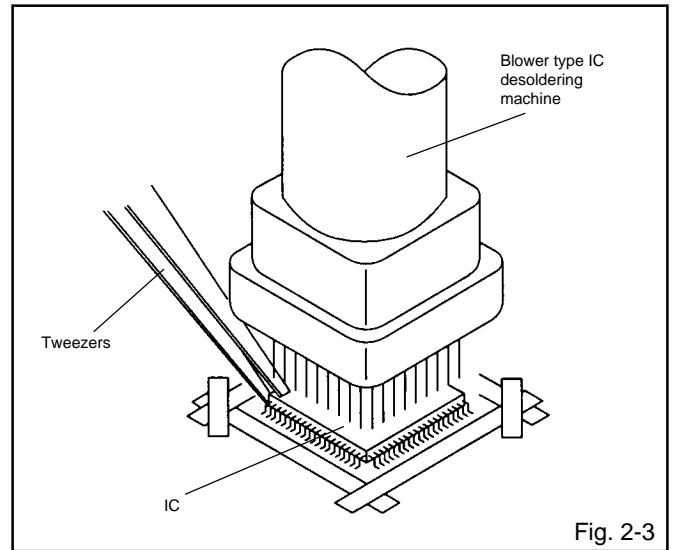
Do not add the rotating and the back and forth directions force on the IC, until IC can move back and forth easily after desoldering the IC leads completely.



3. When IC starts moving back and forth easily after desoldering completely, pickup the corner of the IC using a tweezers and remove the IC by moving with the IC desoldering machine. (Refer to Fig. 2-3.)

#### NOTE

Some ICs on the PCB are affixed with glue, so be careful not to break or damage the foil of each IC leads or solder lands under the IC when removing it.

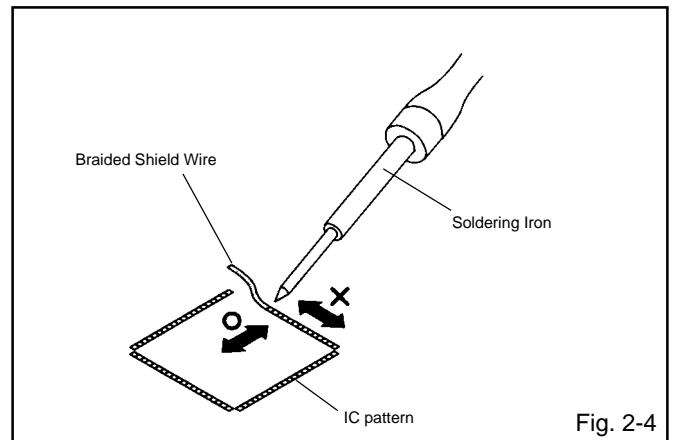


4. Peel off the Masking Tape.

5. Absorb the solder left on the pattern using the Braided Shield Wire. (Refer to Fig. 2-4.)

#### NOTE

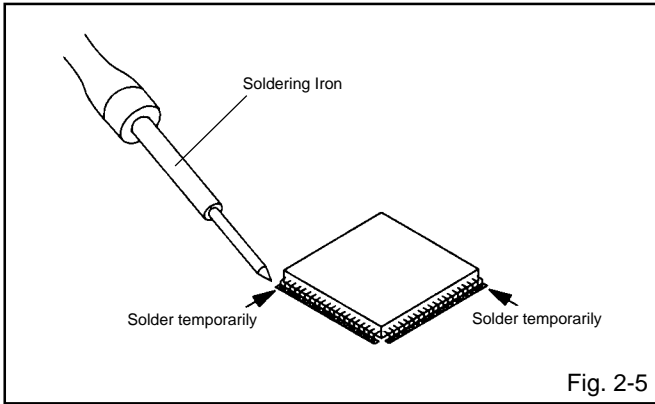
Do not move the Braided Shield Wire in the vertical direction towards the IC pattern.



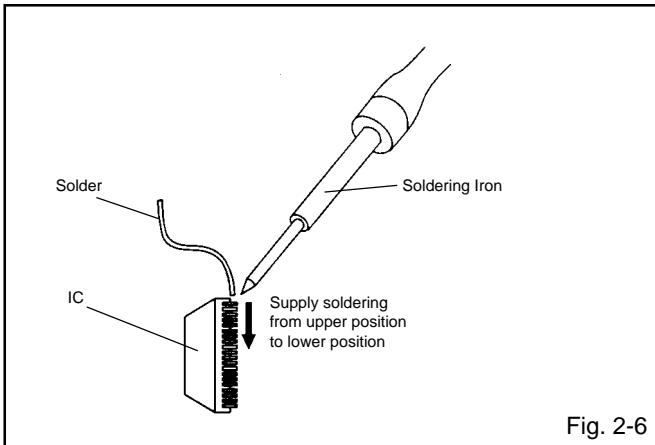
# DISASSEMBLY INSTRUCTIONS

## INSTALLATION

1. Take care of the polarity of new IC and then install the new IC fitting on the printed circuit pattern. Then solder each lead on the diagonal positions of IC temporarily. (Refer to Fig. 2-5.)



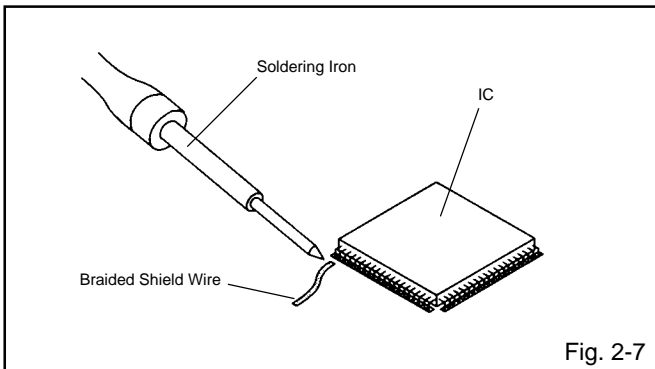
2. Supply the solder from the upper position of IC leads sliding to the lower position of the IC leads. (Refer to Fig. 2-6.)



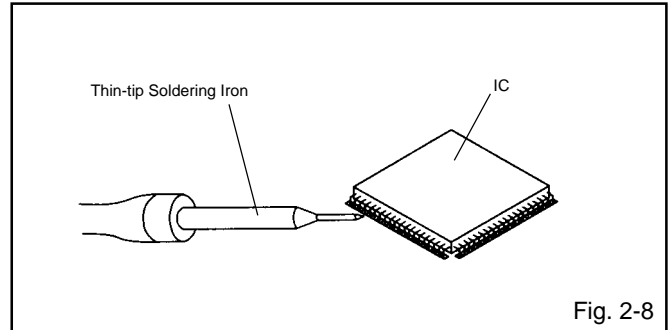
3. Absorb the solder left on the lead using the Braided Shield Wire. (Refer to Fig. 2-7.)

### NOTE

Do not absorb the solder to excess.



4. When bridge-soldering between terminals and/or the soldering amount are not enough, resolder using a Thin-tip Soldering Iron. (Refer to Fig. 2-8.)



5. Finally, confirm the soldering status on four sides of the IC using a magnifying glass. Confirm that no abnormality is found on the soldering position and installation position of the parts around the IC. If some abnormality is found, correct by resoldering.

### NOTE

When the IC leads are bent during soldering and/or repairing, do not repair the bending of leads. If the bending of leads are repaired, the pattern may be damaged. So, be always sure to replace the IC in this case.

## SERVICE MODE LIST

This unit provided with the following SERVICE MODES so you can repair, examine and adjust easily. To enter the Service Mode, press both set key and remote control key for more than 1 second.

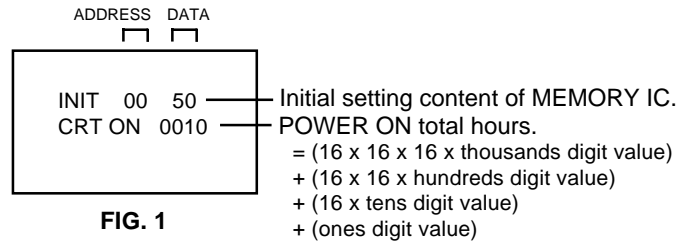
Set Key	Remocon Key	Operations
VOL. (-) MIN	0	Releasing of V-CHIP PASSWORD.
VOL. (-) MIN	1	Initialization of the factory. NOTE: Do not use this for the normal servicing. If you set a factory initialization, the memories are reset such as the channel setting, and the POWER ON total hours.
VOL. (-) MIN	6	POWER ON total hours is displayed on the screen. Refer to the "CONFIRMATION OF HOURS USED".  Can be checked of the INITIAL DATA of MEMORY IC. Refer to the "WHEN REPLACING EEPROM (MEMORY) IC".
VOL. (-) MIN	8	Writing of EEPROM initial data. NOTE: Do not use this for the normal servicing.
VOL. (-) MIN	9	Display of the Adjustment MENU on the screen. Refer to the "ELECTRICAL ADJUSTMENT" (On-Screen Display Adjustment).

### CONFIRMATION OF HOURS USED

POWER ON total hours can be checked on the screen. Total hours are displayed in 16 system of notation.

**NOTE: If you set a factory initialization, the total hours is reset to "0".**

- Set the VOLUME to minimum.
- Press both VOL. DOWN button on the set and Channel button (6) on the remote control for more than 1 second.
- After the confirmation of using hours, turn off the power.



### WHEN REPLACING EEPROM (MEMORY) IC

If a service repair is undertaken where it has been required to change the MEMORY IC, the following steps should be taken to ensure correct data settings while making reference to TABLE 1.

**NOTE: No need setting for after INI 1F due to the adjustment value.**

INI	+0	+1	+2	+3	+4	+5	+6	+7	+8	+9	+A	+B	+C	+D	+E	+F
00	50	E8	0A	A4	5E	B3	24	B7	3D	AC	AA	04	40	40	40	7F
10	50	00	00	00	00	00	00	99	3F	0F	0D	C2	A4	88	43	00

**Table 1**

- Enter DATA SET mode by setting VOLUME to minimum.
- Press both VOL. DOWN button on the set and Channel button (6) on the remote control for more than 1 second. ADDRESS and DATA should appear as FIG 1.
- ADDRESS is now selected and should "blink". Using the VOL. UP/DOWN button on the remote, step through the ADDRESS until required ADDRESS to be changed is reached.
- Press ENTER to select DATA. When DATA is selected, it will "blink".
- Again, step through the DATA using VOL. UP/DOWN button until required DATA value has been selected.
- Pressing ENTER will take you back to ADDRESS for further selection if necessary.
- Repeat steps 3 to 6 until all data has been checked.
- When satisfied correct DATA has been entered, turn POWER off (return to STANDBY MODE) to finish DATA input.  
**After the data input, set to the initializing of shipping.**
- Turn POWER on.
- Press both VOL. DOWN button on the set and Channel button (1) on the remote control for more than 1 second.
- After the finishing of the initializing of shipping, the unit will turn off automatically.  
The unit will now have the correct DATA for the new MEMORY IC.

# ELECTRICAL ADJUSTMENTS

## 1. ADJUSTMENT PROCEDURE

Read and perform these adjustments when repairing the circuits or replacing electrical parts or PCB assemblies.

### CAUTION

- Use an isolation transformer when performing any service on this chassis.
- Before removing the anode cap, discharge electricity because it contains high voltage.
- When removing a PCB or related component, after unfastening or changing a wire, be sure to put the wire back in its original position.
- When you exchange IC and Transistor for a heat sink, apply the silicon grease on the contact section of the heat sink. Before applying new silicon grease, remove all the old silicon grease. (Old grease may cause damages to the IC and Transistor.)

Prepare the following measurement tools for electrical adjustments.

1. Oscilloscope
2. Digital Voltmeter
3. Multi-sound Generator
4. Pattern Generator

### On-Screen Display Adjustment

1. In the condition of NO indication on the screen. Press the VOL. DOWN button on the set and the Channel button (9) on the remote control for more than 1 second to appear the adjustment mode on the screen as shown in Fig. 1-1.

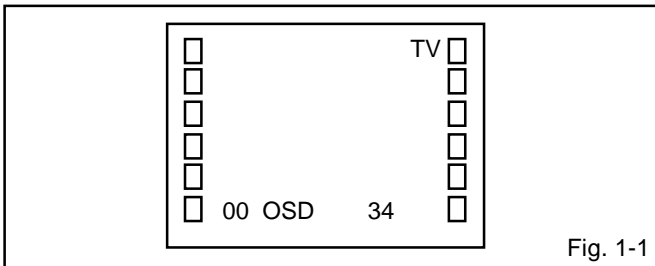


Fig. 1-1

3. Use the Channel UP/DOWN button or Channel button (0-9) on the remote control to select the options shown in Fig. 1-2.
4. Press the MENU button on the remote control to end the adjustments.

NO. FUNCTION	NO. FUNCTION
00 OSD H	19 CONTRAST CENT
01 CUT OFF	20 CONTRAST MIN
02 H. VCO	21 COLOR MAX
03 H. PHASE	22 COLOR CENTER
04 AFC GAIN	23 COLOR MIN
05 V. SHIFT	24 TINT
06 H. SIZE	25 SHARPNESS
07 V. SIZE	26 Cb DELAY FINE
08 V. LINEARITY	27 Cr DELAY FINE
09 VS CORRECTION	28 Cb PEDESTAL ADJ
10 DRIVE R	29 Cr PEDESTAL ADJ
11 DRIVE B	30 E/W PARABOLA
12 R CUT OFF	31 E/W CORNER
13 G CUT OFF	32 E/W TRAPEZIUM
14 B CUT OFF	33 LEVEL
15 BRIGHT MAX	34 SEPARATION1
16 BRIGHT CENT	35 SEPARATION2
17 BRIGHT MIN	36 X-RAY
18 CONTRAST MAX	88 READ DATA

Fig. 1-2

## 2. BASIC ADJUSTMENTS

### 2-1: CONSTANT VOLTAGE

1. Place the set with Aging Test for more than 5 minutes.
2. Set condition is AV MODE without signal.
3. Connect the digital voltmeter to the TP003.
4. Adjust the VR502 until the digital voltmeter is  $117 \pm 1V$ .

### 2-2: CUT OFF

1. Place the set with Aging Test for more than 15 minutes.
2. Activate the adjustment mode display of Fig. 1-1 and press the channel button (01) on the remote control to select "CUT OFF".
3. Adjust the Screen Volume until a dim raster is obtained.

### 2-3: WHITE BALANCE

**NOTE:** Adjust after performing CUT OFF adjustment.

1. Place the set with Aging Test for more than 10 minutes.
2. Receive the gray scale pattern from the Pattern Generator.
3. Using the remote control, set the brightness and contrast to normal position.
4. Activate the adjustment mode display of Fig. 1-1 and press the channel button (12) on the remote control to select "R. BIAS".
5. Press the CH. UP/DOWN button on the remote control to select the "R. BIAS", "G. BIAS", "B. BIAS", "B. DRIVE" or "G. DRIVE".
6. Adjust the VOL. UP/DOWN button on the remote control to whiten the R. BIAS, G. BIAS, B. BIAS, B. DRIVE, and G. DRIVE at each step tone sections equally.
7. Perform the above adjustments 5 and 6 until the white color is looked like a white.

### 2-4: FOCUS

1. Receive the monoscope pattern.
2. Turn the Focus Volume fully counterclockwise once.
3. Adjust the Focus Volume until picture is distinct.

### 2-5: HORIZONTAL PHASE

1. Receive the monoscope pattern.
2. Using the remote control, set the brightness and contrast to normal position.
3. Activate the adjustment mode display of Fig. 1-1 and press the channel button (03) on the remote control to select "H. PHAS".
4. Press the VOL. UP/DOWN button on the remote control until the SHIFT quantity of the OVER SCAN on right and left becomes minimum.

# ELECTRICAL ADJUSTMENTS

## 2-6: HORIZONTAL SIZE

1. Receive the monoscope pattern.
2. Using the remote control, set the brightness and contrast to normal position.
3. Activate the adjustment mode display of **Fig. 1-1** and press the channel button **(06)** on the remote control to select "H. SIZE".
4. Press the VOL. UP/DOWN button on the remote control until the SHIFT quantity of the OVER SCAN on right and left becomes  $11 \pm 1\%$ .

## 2-7: VERTICAL POSITION

1. Receive the monoscope pattern.
2. Using the remote control, set the brightness and contrast to normal position.
3. Adjust the **VR401** until the horizontal line becomes fit to the notch of the shadow mask.

## 2-8: VERTICAL SIZE

1. Receive the monoscope pattern.
2. Using the remote control, set the brightness and contrast to normal position.
3. Activate the adjustment mode display of **Fig. 1-1** and press the channel button **(07)** on the remote control to select "V. SIZE".
4. Press the VOL. UP/DOWN button on the remote control until the SHIFT quantity of the OVER SCAN on upside and downside becomes  $9 \pm 2\%$ .

## 2-9: VERTICAL LINEARITY

**NOTE:** Adjust after performing adjustments in section 2-8. After the adjustment of Vertical Linearity, reconfirm the Vertical Position and Vertical Size adjustments.

1. Receive the monoscope pattern.
2. Using the remote control, set the brightness and contrast to normal position.
3. Activate the adjustment mode display of **Fig. 1-1** and press the channel button **(08)** on the remote control to select "V. LIN".
4. Press the VOL. UP/DOWN button on the remote control until the SHIFT quantity of the OVER SCAN on upside and downside becomes minimum.

## 2-10: LEVEL

1. Receive the monoscope pattern (70dB).
2. Connect the AC voltmeter to **pin 6 of CP101**.
3. Activate the adjustment mode display of **Fig. 1-1** and press the channel button **(33)** on the remote control to select "LEVEL".
4. Press the VOL. UP/DOWN button on the remote control until the AC voltmeter is  $85 \pm 2\text{mV}$ .

## 2-11: PARABOLA

1. Receive the crosshatch signal from the Pattern Generator.
2. Using the remote control, set the brightness and contrast to normal position.
3. Activate the adjustment mode display of **Fig. 1-1** and press the channel button **(30)** on the remote control to select "PARABOLA".
4. Press the VOL. UP/DOWN button on the remote control until the right and left vertical lines are straight.

## 2-12: TRAPEZIUM

1. Receive the crosshatch signal from the Pattern Generator.
2. Using the remote control, set the brightness and contrast to normal position.
3. Activate the adjustment mode display of **Fig. 1-1** and press the channel button **(32)** on the remote control to select "TRAPEZIUM".
4. Press the VOL. UP/DOWN button on the remote control until the both vertical lines of the screen become parallel.

## 2-13: SEPARATION 1, 2

**Please do the method (1) or method (2) adjustment.**

### Method (1)

1. Set the multi-sound signal generator for each different L-ch and R-ch frequency (Ex. L-ch=2KHz, R-ch=400Hz) and receive the RF.
2. Connect the oscilloscope to the **Audio Out Jack**.
3. Activate the adjustment mode display of **Fig. 1-1** and press the channel button **(34)** on the remote control to select "SEP 1".
4. Press the VOL. UP/DOWN button on the remote control to adjust it until the audio output wave becomes a fine sine wave.
5. Press the CH UP button once the set to "SEP 2" mode. Then perform the above adjustment 4.

### Method (2)

1. Set the multi-sound signal generator L-ch=1KHz, R-ch=Non input and receive the RF.
2. Connect the oscilloscope to the **Audio Out Jack (R-ch)**.
3. Press the AUDIO SELECT button on the remote control to set to the stereo mode.
4. Activate the adjustment mode display of **Fig. 1-1** and press the channel button **(34)** on the remote control to select "SEP 1".
5. Press the VOL. UP/DOWN button on the remote control to adjust it until the R-ch output becomes minimum.
6. Set the multi-sound signal generator L-ch=Non input, R-ch=1KHz and receive the RF.
7. Connect the oscilloscope to the **Audio Out Jack (L-ch)**.
8. Activate the adjustment mode display of **Fig. 1-1** and press the channel button **(35)** on the remote control to select "SEP 2".
9. Press the VOL. UP/DOWN button on the remote control to adjust it until the L-ch output becomes minimum.

# ELECTRICAL ADJUSTMENTS

## 2-14: BRIGHT CENT

1. Receive the monoscope pattern. (RF Input)
2. Using the remote control, set the brightness and contrast to normal position.
3. Activate the adjustment mode display of **Fig. 1-1** and press the channel button **(16)** on the remote control to select "BRI CENT".
4. Press the VOL. UP/DOWN button on the remote control until the white 0% is starting to be visible
5. Receive the monoscope pattern. (Audio Video Input)
6. Press the TV/VIDEO button on the remote control to set to the AV mode. Then perform the above adjustments 2~4.
7. Press the TV/VIDEO button on the remote control to set to the CS mode.
8. Activate the adjustment mode display of **Fig. 1-1** and press the channel button **(16)** on the remote control to select "BRI CENT".
9. Press the VOL. UP/DOWN button on the remote control until the brightness step No. becomes "75".

## 2-15: TINT/COLOR CENT

1. Receive the color bar pattern.
2. Connect the oscilloscope to **TP806**.
3. Activate the adjustment mode display of **Fig. 1-1** and press the channel button **(24)** on the remote control to select "TINT".
4. Press the VOL. UP/DOWN button on the remote control until the section "A" becomes as straight line **(Refer to Fig. 2-1)**
5. Connect the oscilloscope to **TP804**.
6. Activate the adjustment mode display of **Fig. 1-1** and press the channel button **(22)** on the remote control to select "COL.CENT".
7. Press the VOL. UP/DOWN button on the remote control until the red color level is adjusted to  $120 \pm 10\%$  of the white level. **(Refer to Fig. 2-2)**
8. Receive the color bar pattern. (Audio Video Input)
9. Press the TV/VIDEO button on the remote control to set to the AV mode. Then perform the above adjustments 2~7.
10. Press the TV/VIDEO button on the remote control to set to the CS mode.
11. Press the VOL. UP/DOWN button on the remote control to set the same step numbers as the AV mode.

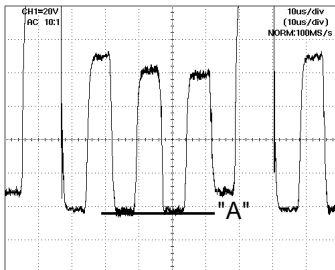


Fig. 2-1

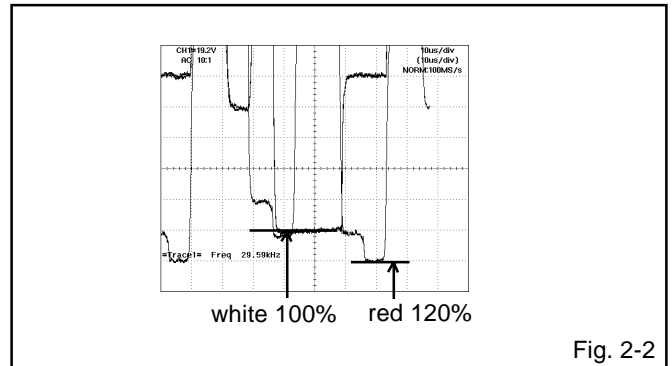


Fig. 2-2

## 2-16: CONTRAST MAX MANUAL

1. Activate the adjustment mode display of **Fig. 1-1** and press the channel button **(18)** on the remote control to select "CONT. MAX".
2. Press the VOL. UP/DOWN button on the remote control until the contrast step No. becomes "96".
3. Receive a broadcast and check if the picture is normal.
4. Press the TV/VIDEO button on the remote control to set to the AV mode. Then perform the above adjustments 1~3. Press the TV/VIDEO button on the remote control to set to the CS mode. Then perform the above adjustments 1~3.

## 2-17: OSD HORIZONTAL

1. Activate the adjustment mode display of **Fig. 1-1**.
2. Press the VOL. UP/DOWN button on the remote control until the difference of A and B becomes minimum. **(Refer to Fig. 2-3)**

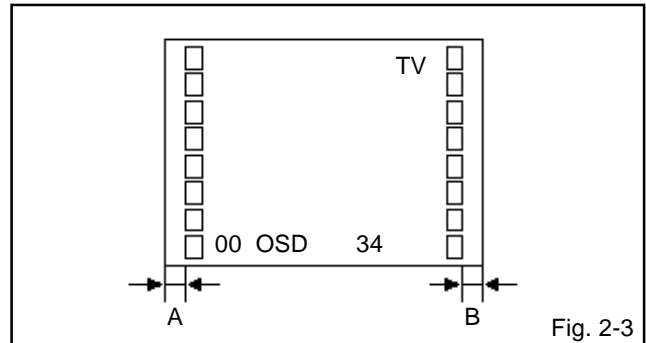


Fig. 2-3

## 2-18: Confirmation of Fixed Value (Step No.)

Please check if the fixed values of the each adjustment items are set correctly referring below. (RF/AV/CS)

NO.	FUNCTION	STEP NO.	NO.	FUNCTION	STEP NO.
02	H.VCO	03	21	COL.MAX	90
04	AFC GAIN	06	23	COL.MIN	00
05	V.SHIFT	02	25	SHARPNESS	40
09	VS.CORRECTION	38	26	CB DL	00
15	BRI.MAX	160	27	CR DL	00
17	BRI.MIN	50	28	CB PED	08
19	CONT.CENT	64	29	CR PED	08
20	CONT.MIN	15			

# ELECTRICAL ADJUSTMENTS

## 3. PURITY AND CONVERGENCE ADJUSTMENTS

### NOTE

1. Turn the unit on and let it warm up for at least 30 minutes before performing the following adjustments.
2. Place the CRT surface facing east or west to reduce the terrestrial magnetism.
3. Turn ON the unit and demagnetize with a Degauss Coil.

### 3-1: STATIC CONVERGENCE (ROUGH ADJUSTMENT)

1. Tighten the screw for the magnet. Refer to the adjusted CRT for the position. **(Refer to Fig. 3-1)**  
If the deflection yoke and magnet are in one body, untighten the screw for the body.
2. Receive the green raster pattern from the color bar generator.
3. Slide the deflection yoke until it touches the funnel side of the CRT.
4. Adjust center of screen to green, with red and blue on the sides, using the pair of purity magnets.
5. Switch the color bar generator from the green raster pattern to the crosshatch pattern.
6. Combine red and blue of the 3 color crosshatch pattern on the center of the screen by adjusting the pair of 4 pole magnets.
7. Combine red/blue (magenta) and green by adjusting the pair of 6 pole magnets.
8. Adjust the crosshatch pattern to change to white by repeating steps 6 and 7.

### 3-2: PURITY

#### NOTE

Adjust after performing adjustments in section 3-1.

1. Receive the green raster pattern from color bar generator.
2. Adjust the pair of purity magnets to center the color on the screen.  
Adjust the pair of purity magnets so the color at the ends are equally wide.
3. Move the deflection yoke backward (to neck side) slowly, and stop it at the position when the whole screen is green.
4. Confirm red and blue color.
5. Adjust the slant of the deflection yoke while watching the screen, then tighten the fixing screw.

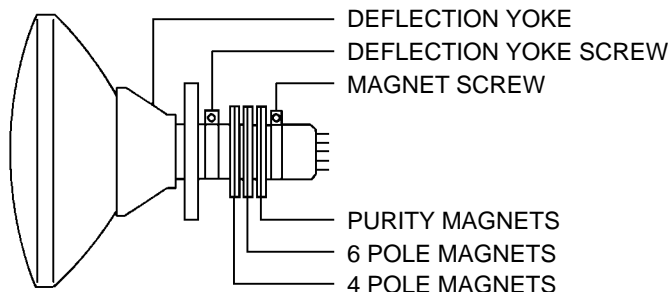


Fig. 3-1

### 3-3: STATIC CONVERGENCE

#### NOTE

Adjust after performing adjustments in section 3-2.

1. Receive the crosshatch pattern from the color bar generator.
2. Combine red and blue of the 3 color crosshatch pattern on the center of the screen by adjusting the pair of 4 pole magnets.
3. Combine red/blue (magenta) and green by adjusting the pair of 6 pole magnets.

### 3-4: DYNAMIC CONVERGENCE

#### NOTE

Adjust after performing adjustments in section 3-3.

1. Adjust the differences around the screen by moving the deflection yoke upward/downward and right/left. **(Refer to Fig. 3-2-a)**
2. Insert three wedges between the deflection yoke and CRT funnel to fix the deflection yoke. **(Refer to Fig. 3-2-b)**

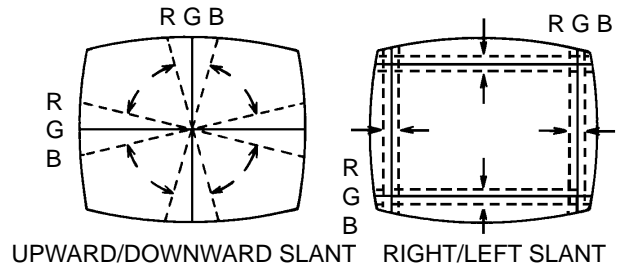
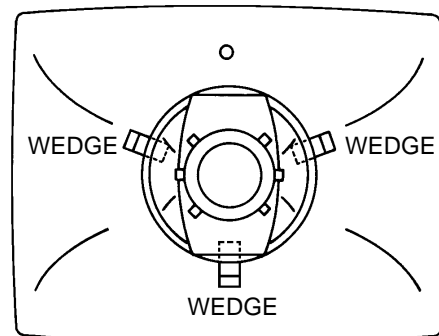


Fig. 3-2-a

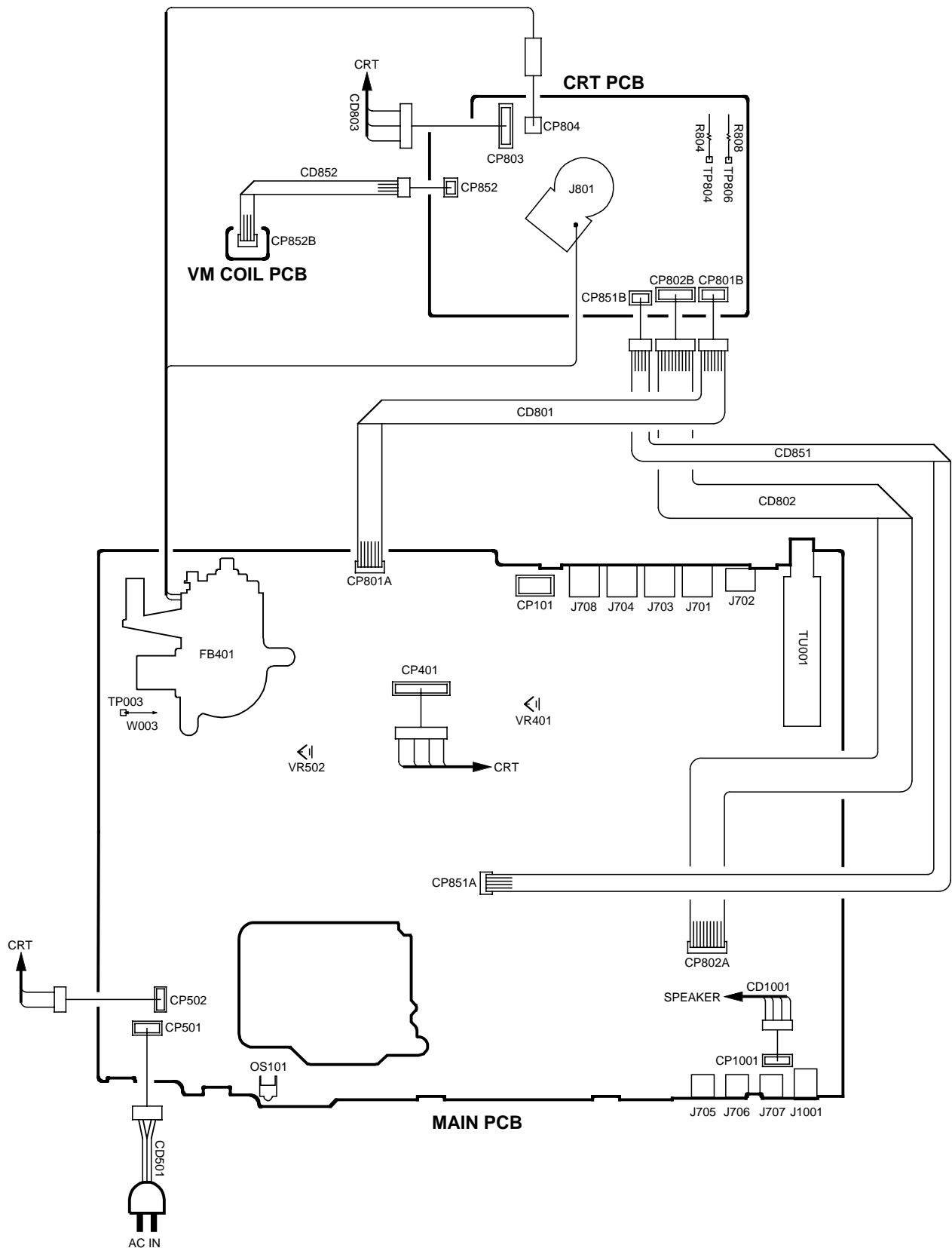


WEDGE POSITION

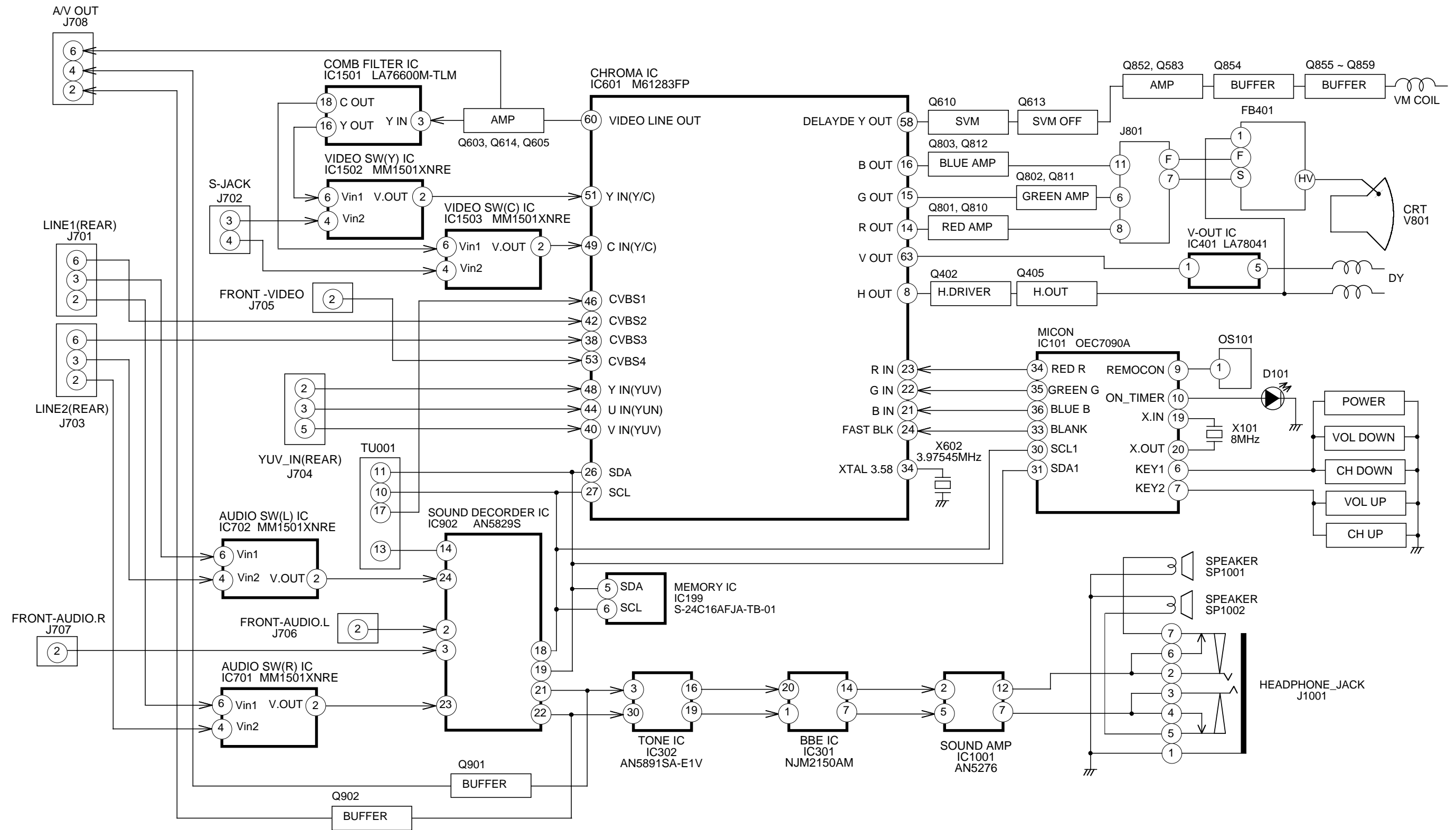
Fig. 3-2-b

# ELECTRICAL ADJUSTMENTS

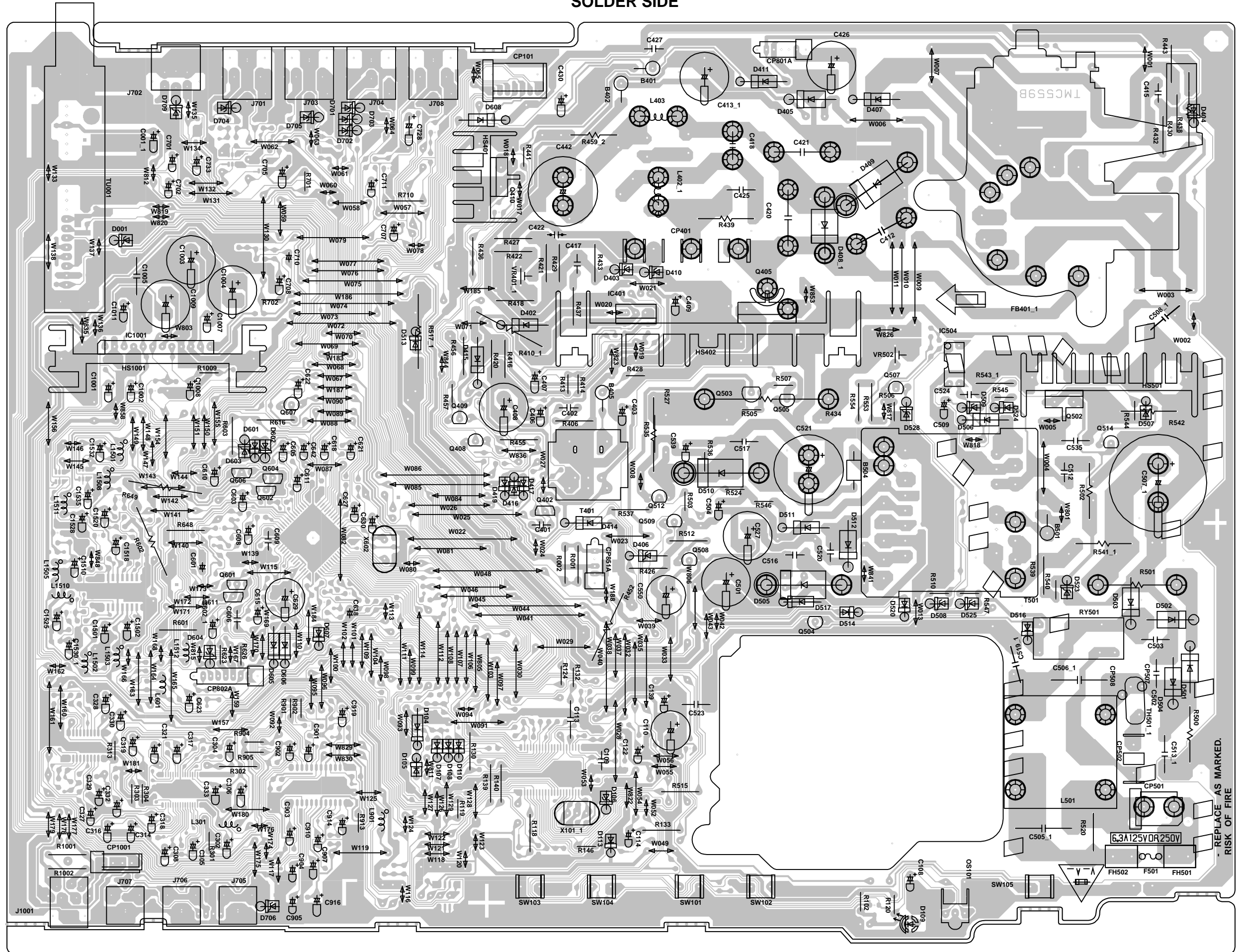
## 4. ELECTRICAL ADJUSTMENT PARTS LOCATION GUIDE (WIRING CONNECTION)



# BLOCK DIAGRAM



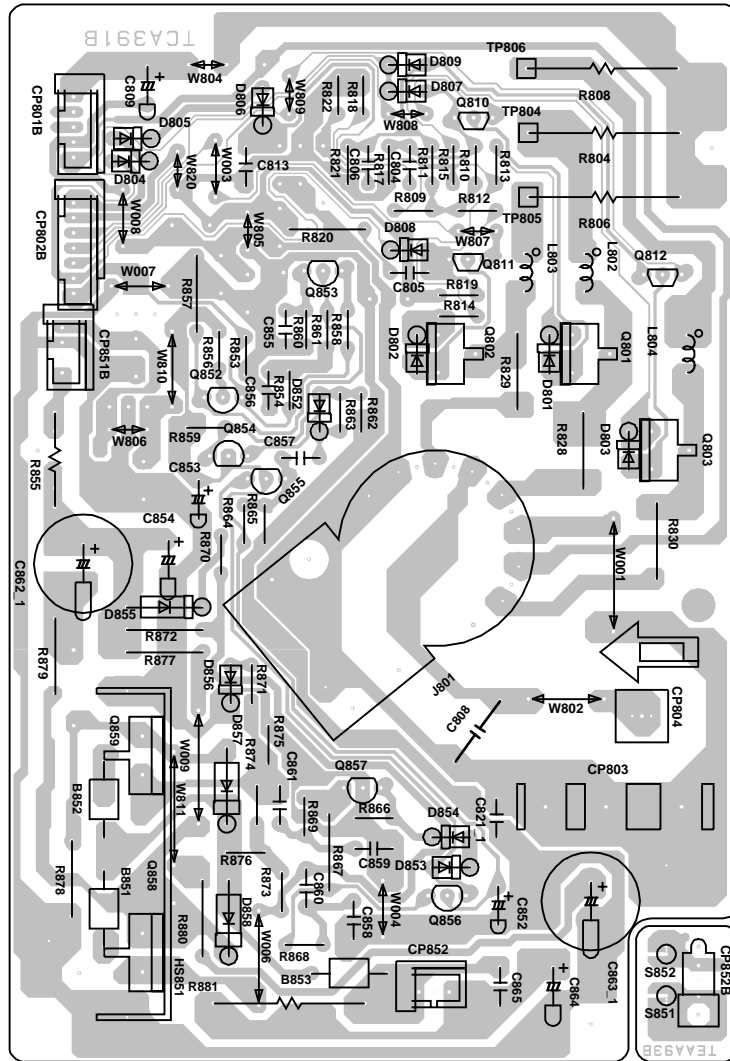
PRINTED CIRCUIT BOARDS  
MAIN (INSERTED PARTS)  
SOLDER SIDE



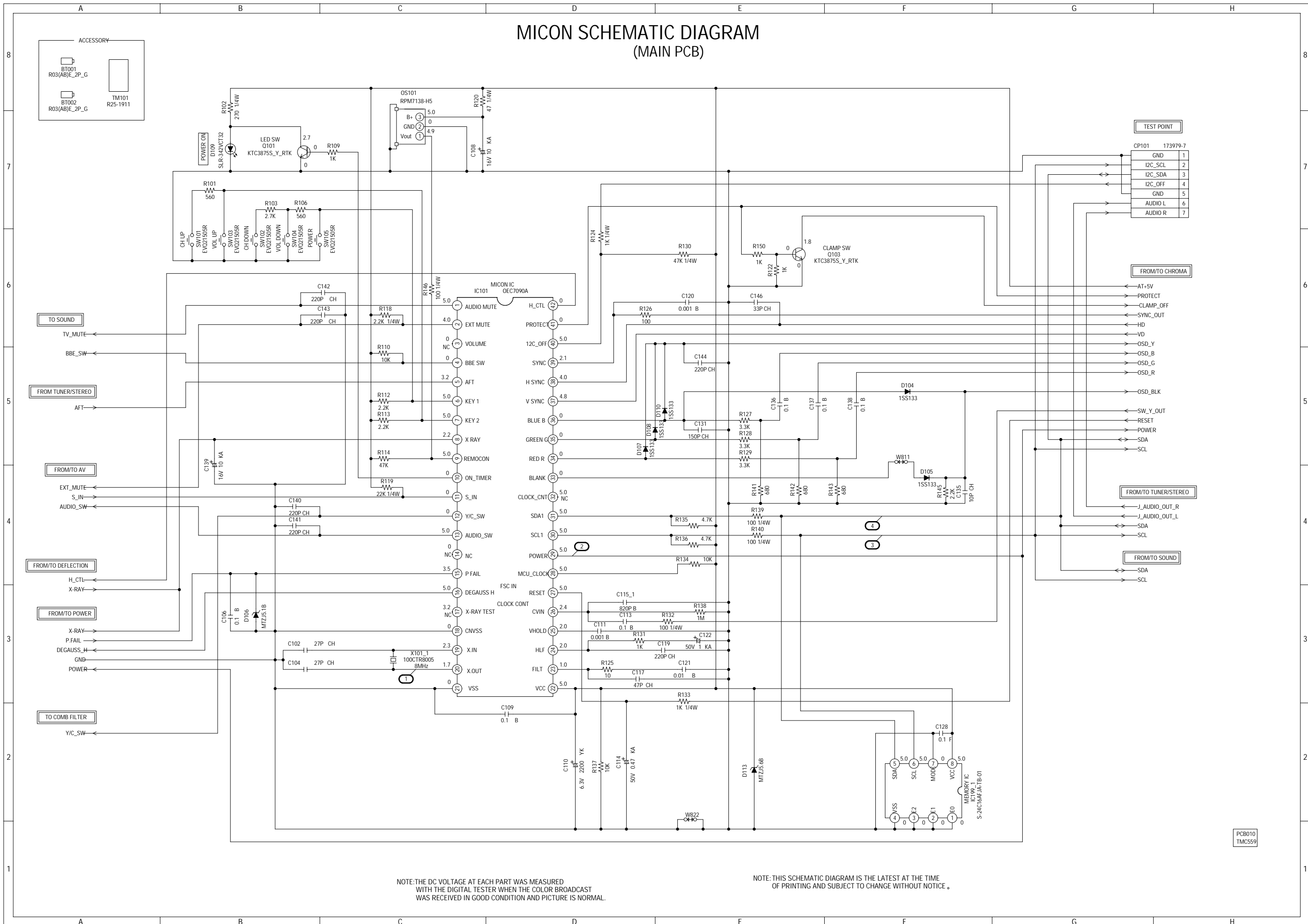


# PRINTED CIRCUIT BOARDS

## CRT/VM COIL SOLDER SIDE



# MICON SCHEMATIC DIAGRAM (MAIN PCB)

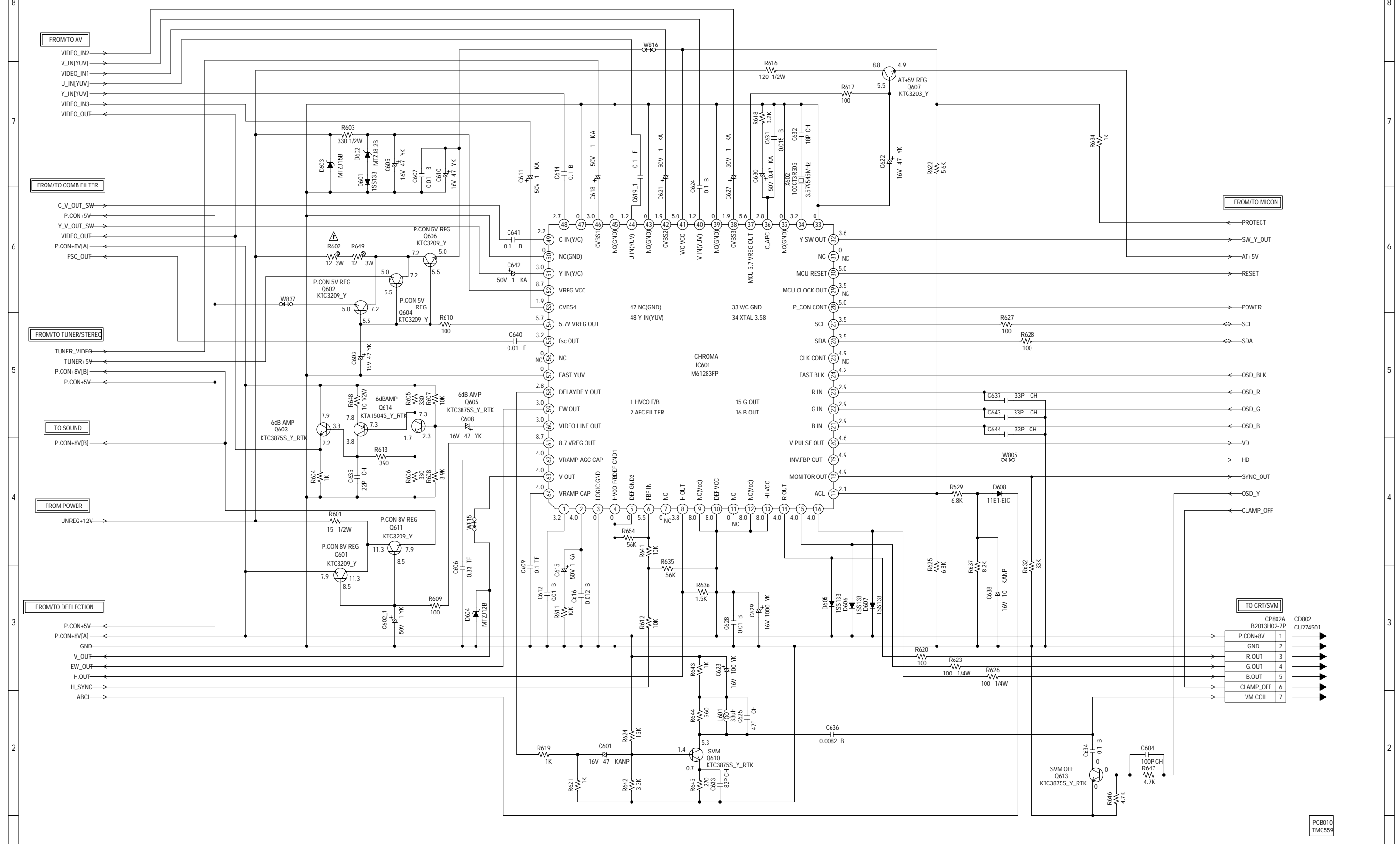


NOTE: THE DC VOLTAGE AT EACH PART WAS MEASURED WITH THE DIGITAL TESTER WHEN THE COLOR BROADCAST WAS RECEIVED IN GOOD CONDITION AND PICTURE IS NORMAL.

NOTE: THIS SCHEMATIC DIAGRAM IS THE LATEST AT THE TIME OF PRINTING AND SUBJECT TO CHANGE WITHOUT NOTICE.

PCB010  
TMC559

# CHROMA SCHEMATIC DIAGRAM (MAIN PCB)



NOTE: THE DC VOLTAGE AT EACH PART WAS MEASURED WITH THE DIGITAL TESTER WHEN THE COLOR BROADCAST WAS RECEIVED IN GOOD CONDITION AND PICTURE IS NORMAL.

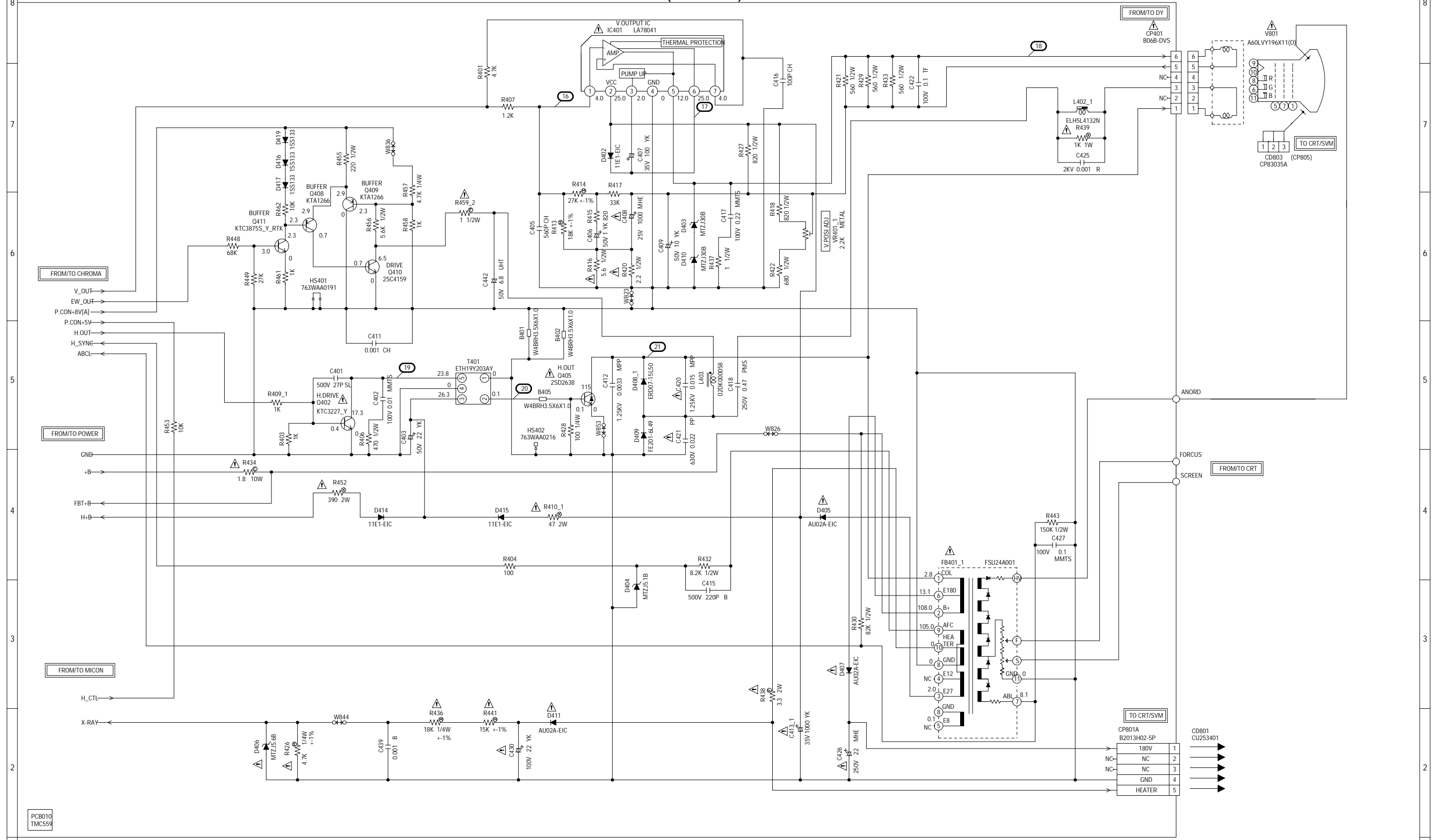
NOTE: THIS SCHEMATIC DIAGRAM IS THE LATEST AT THE TIME OF PRINTING AND SUBJECT TO CHANGE WITHOUT NOTICE.

**ATTENTION** - LES PIÈCES RÉPARÉES PAR UN ÉTANT DANGEREUSES AN POINT DE VUE SECURITE N'UTILISER QUE CELLS DECRITES DANS LA NOMENCLATURE DES PIÈCES.

**CAUTION** - SINCE THESE PARTS MARKED BY ARE CRITICAL FOR SAFETY, USE ONES DESCRIBED IN PARTS LIST ONLY.

PCB010  
TMC559

# DEFLECTION SCHEMATIC DIAGRAM (MAIN PCB)



NOTE: THIS SCHEMATIC DIAGRAM IS THE LATEST AT THE TIME OF PRINTING AND SUBJECT TO CHANGE WITHOUT NOTICE.

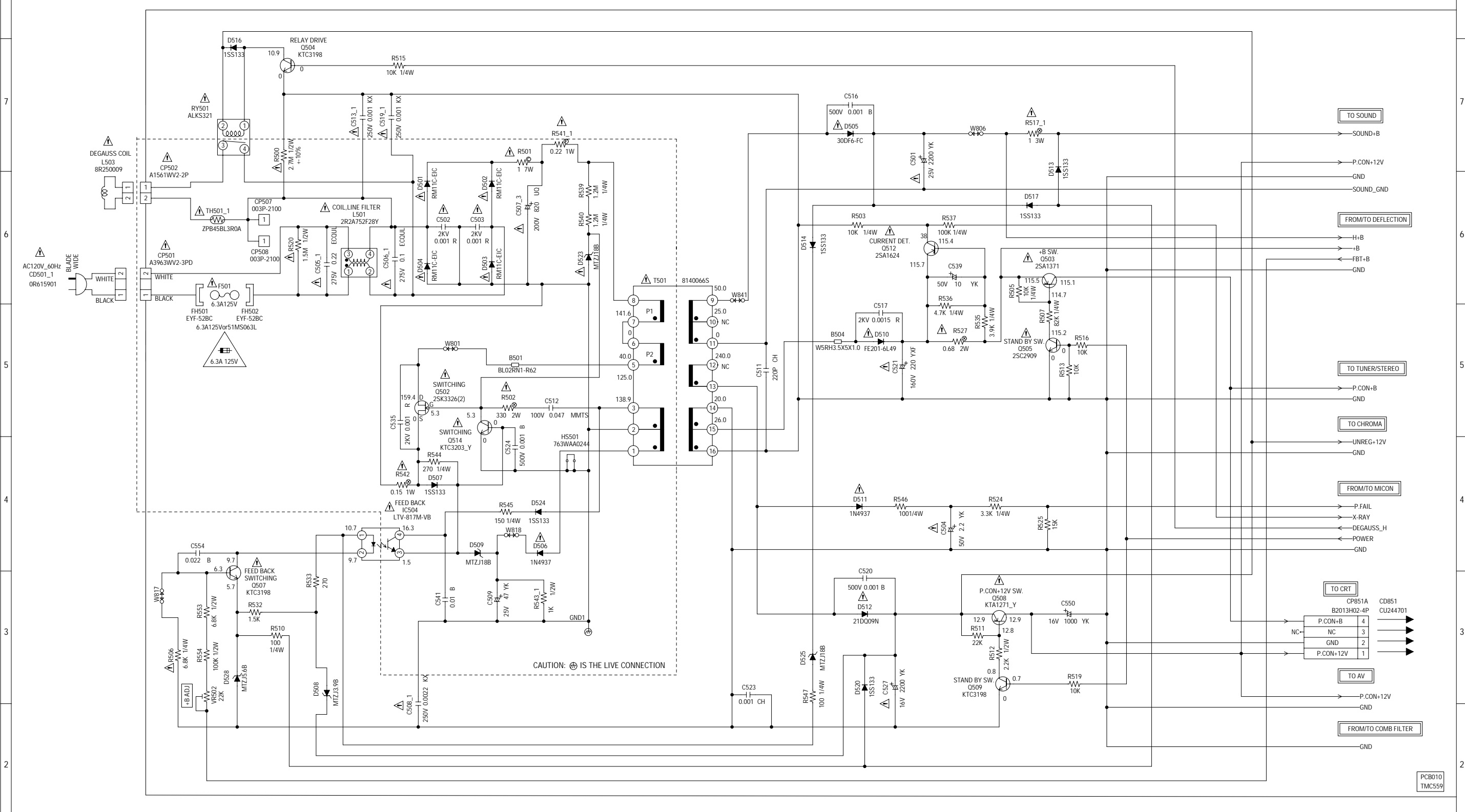
NOTE: THE DC VOLTAGE AT EACH PART WAS MEASURED WITH THE DIGITAL TESTER WHEN THE COLOR BROADCAST WAS RECEIVED IN GOOD CONDITION AND PICTURE IS NORMAL.

**CAUTION** SINCE THESE PARTS MARKED BY ARE CRITICAL FOR SAFETY, USE ONES DESCRIBED IN PARTS LIST ONLY.

**ATTENTION** LES PIÈCES RÉPARÉES PAR UN ÉTANT DANGEREUSES AN POINT DE VUE SÉCURITÉ N'UTILISER QUE CELLES DÉCRITES DANS LA NOMENCLATURE DES PIÈCES.

NOTE: THE RESISTOR MARKED F IS FUSE RESISTOR. THE ALUMI ELECTROLYTIC CAPACITOR MARKED NP IS NON POLAR ONE.

# POWER SCHEMATIC DIAGRAM (MAIN PCB)



**CAUTION** FOR CONTINUED PROTECTION AGAINST FIRE HAZARD,  
REPLACE ONLY WITH THE SAME TYPE FUSE 6.3A 125V(F501)

**ATTENTION** POUR UNE PROTECTION CONTINUE LES RISQUES D'INCEINDE  
N'UTILISER QUE DES FUSIBLE DE MEME TYPE 6.3A 125V(F501)

NOTE: THE DC VOLTAGE AT EACH PART WAS MEASURED  
WITH THE DIGITAL TESTER WHEN THE COLOR BROADCAST  
WAS RECEIVED IN GOOD CONDITION AND PICTURE IS NORMAL.

NOTE: THIS SCHEMATIC DIAGRAM IS THE LATEST AT THE TIME  
OF PRINTING AND SUBJECT TO CHANGE WITHOUT NOTICE.

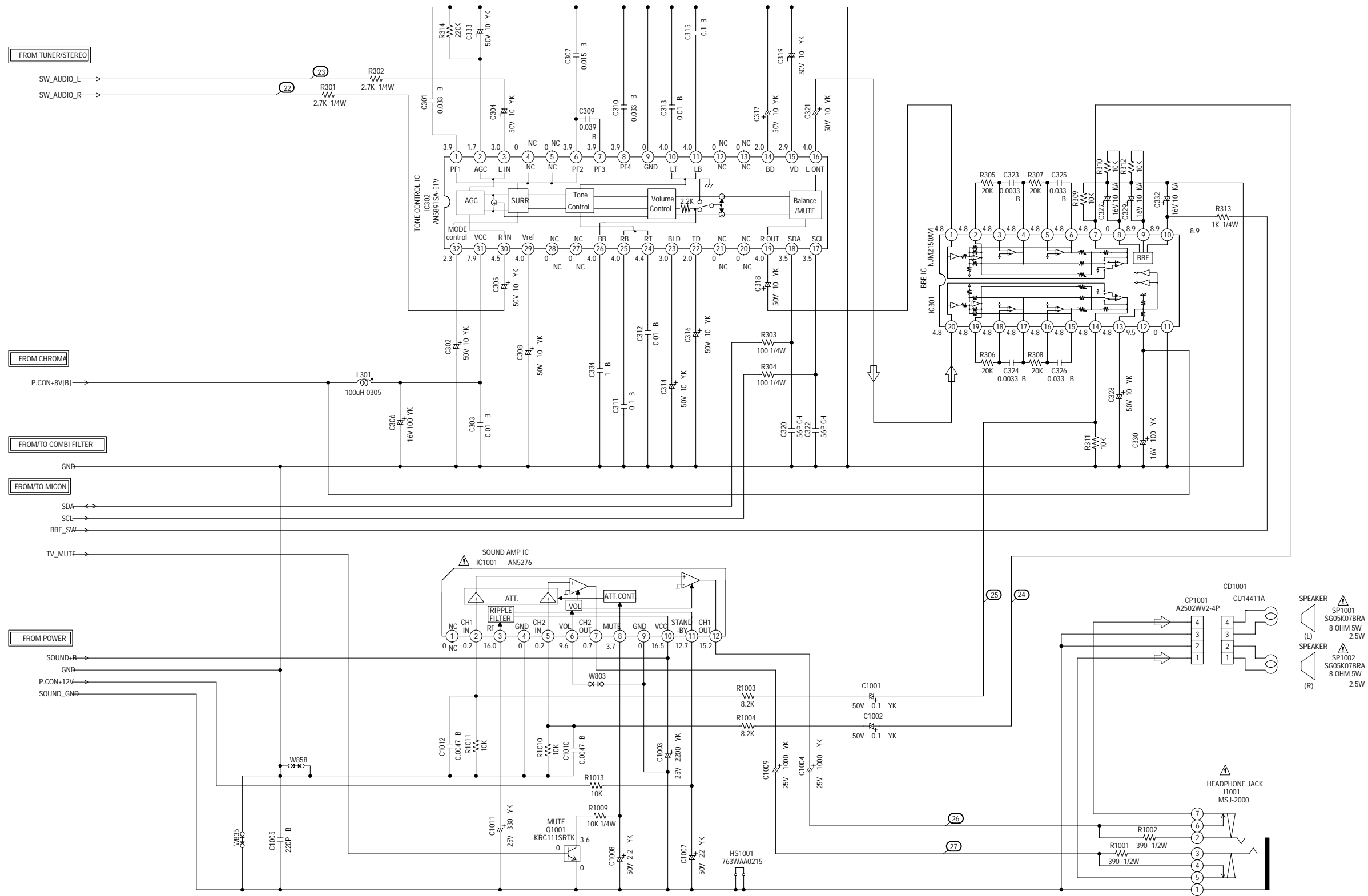
NOTE: THE RESISTOR MARKED F IS FUSE RESISTOR.  
THE ALUMI ELECTROLYTIC CAPACITOR MARKED NP  
IS NON POLAR ONE.

**CAUTION** SINCE THESE PARTS MARKED BY ⊕ ARE  
CRITICAL FOR SAFETY, USE ONES  
DESCRIBED IN PARTS LIST ONLY.

**ATTENTION** LES PIECES REPARÉES PAR UN ⊕ ETANT  
DANGEREUSES AN POINT DE VUE SECURITE  
N'UTILISER QUE CELLS DECRITES  
DANS LA NOMENCLATURE DES PIECES.

PCB010  
TMC559

# SOUND SCHEMATIC DIAGRAM (MAIN PCB)



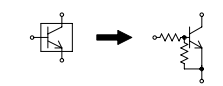
NOTE: THE DC VOLTAGE AT EACH PART WAS MEASURED WITH THE DIGITAL TESTER WHEN THE COLOR BROADCAST WAS RECEIVED IN GOOD CONDITION AND PICTURE IS NORMAL.

NOTE: THIS SCHEMATIC DIAGRAM IS THE LATEST AT THE TIME OF PRINTING AND SUBJECT TO CHANGE WITHOUT NOTICE.

**CAUTION** SINCE THESE PARTS MARKED BY ARE CRITICAL FOR SAFETY, USE ONES DESCRIBED IN PARTS LIST ONLY.

**ATTENTION** LES PIÈCES RÉPARÉES PAR UN ÉTANT DANGEREUSES AN POINT DE VUE SECURITE N'UTILISER QUE CELLS DECRITES DANS LA NOMENCLATURE DES PIÈCES.

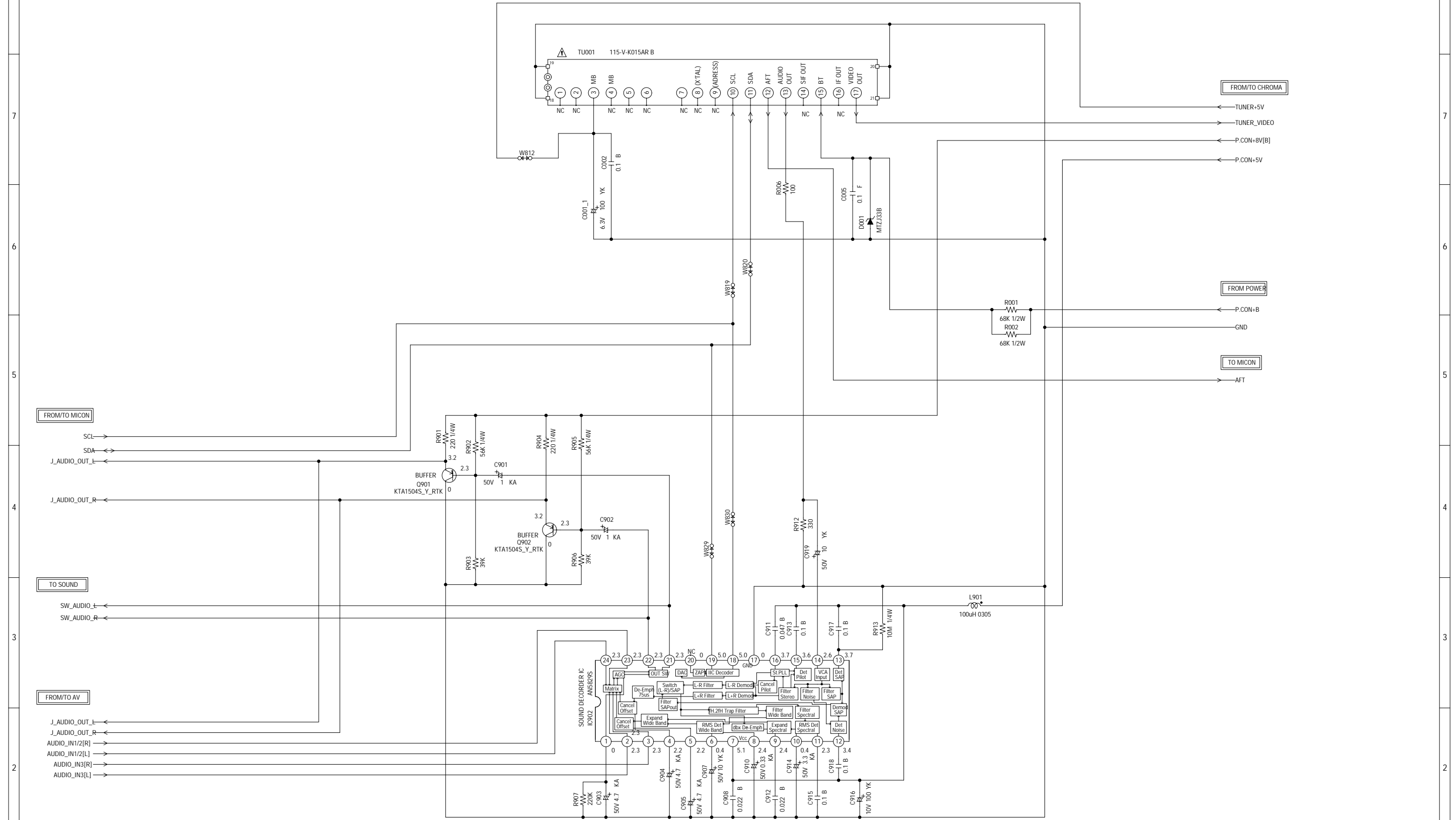
CAUTION: DIGITAL TRANSISTOR



PCB010  
TMC559

- SPEAKER SPT1001 SG05K07BRA 8 OHM 5W 2.5W (L)
- SPEAKER SPT1002 SG05K07BRA 8 OHM 5W 2.5W (R)

# TUNER/STEREO SCHEMATIC DIAGRAM (MAIN PCB)



NOTE: THE DC VOLTAGE AT EACH PART WAS MEASURED WITH THE DIGITAL TESTER WHEN THE COLOR BROADCAST WAS RECEIVED IN GOOD CONDITION AND PICTURE IS NORMAL.

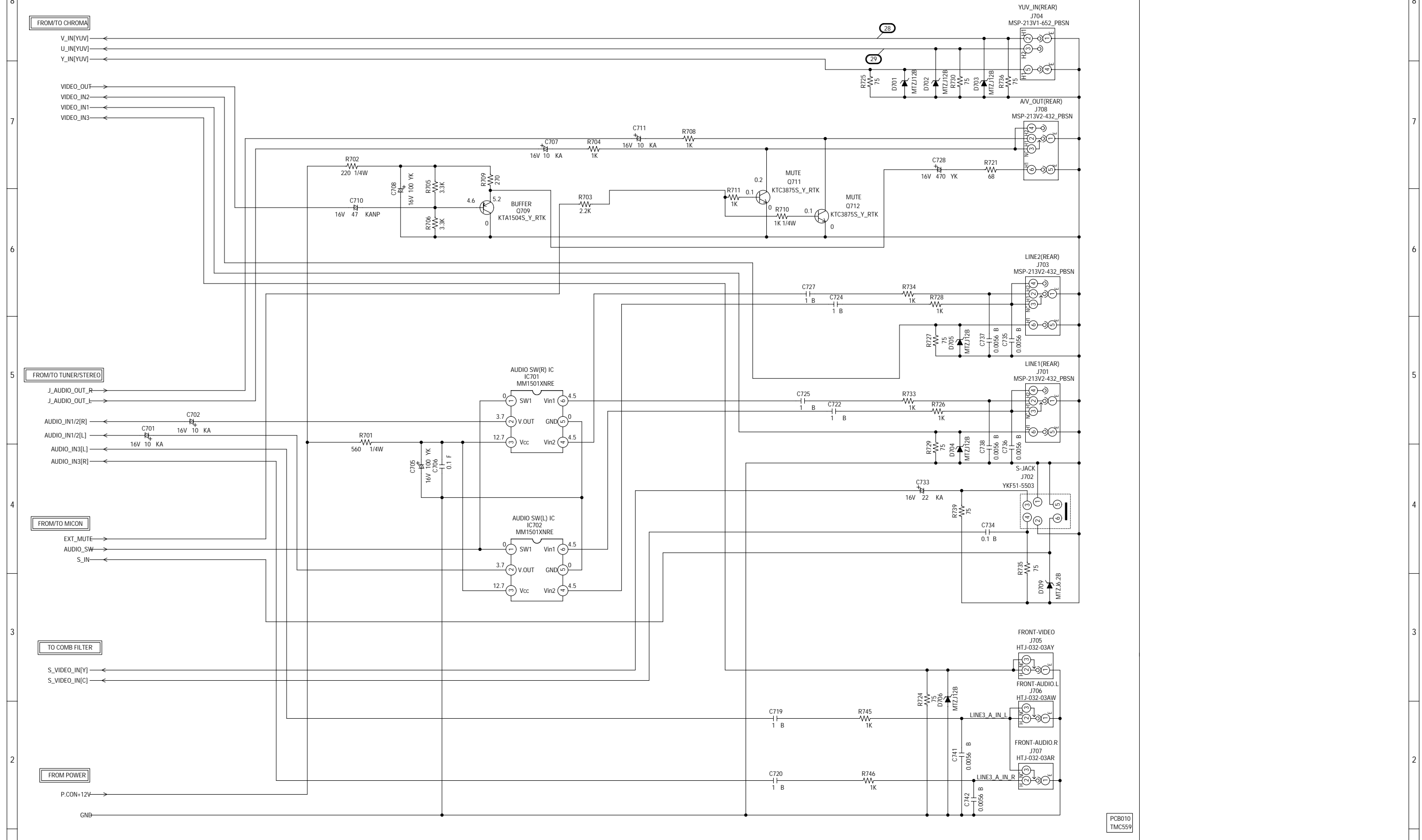
NOTE: THIS SCHEMATIC DIAGRAM IS THE LATEST AT THE TIME OF PRINTING AND SUBJECT TO CHANGE WITHOUT NOTICE.

**CAUTION** SINCE THESE PARTS MARKED BY ARE CRITICAL FOR SAFETY, USE ONES DESCRIBED IN PARTS LIST ONLY.

**ATTENTION** LES PIECES REPARÉES PAR UN ÉTANT DANGEREUSES AN POINT DE VUE SECURITE N'UTILISER QUE CELLS DECRITES DANS LA NOMENCLATURE DES PIECES.

PCB010  
TMC559

# AV SCHEMATIC DIAGRAM (MAIN PCB)

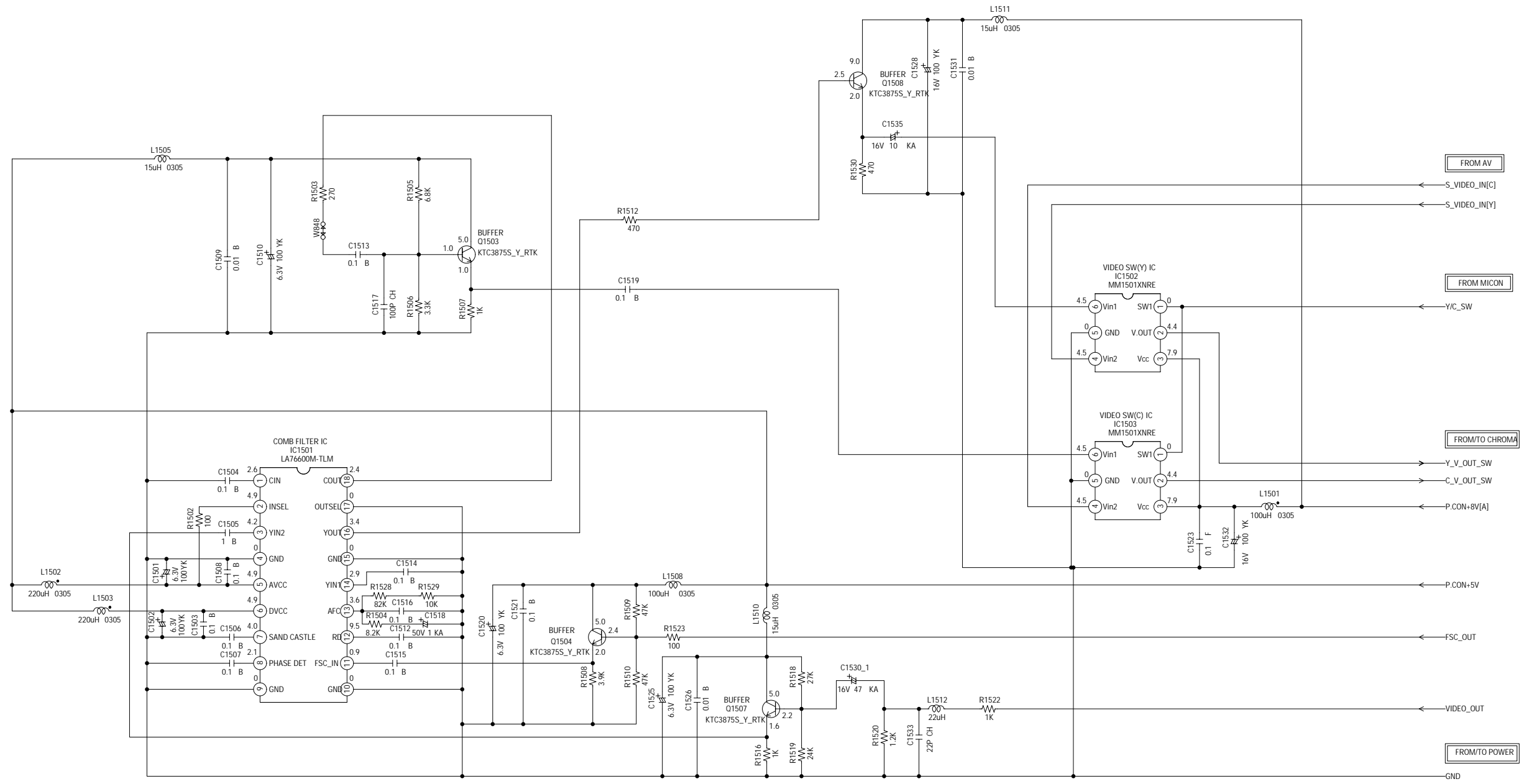


PCB010  
TMC559

NOTE: THE DC VOLTAGE AT EACH PART WAS MEASURED WITH THE DIGITAL TESTER WHEN THE COLOR BROADCAST WAS RECEIVED IN GOOD CONDITION AND PICTURE IS NORMAL.

NOTE: THIS SCHEMATIC DIAGRAM IS THE LATEST AT THE TIME OF PRINTING AND SUBJECT TO CHANGE WITHOUT NOTICE.

# COMB/FILTER SCHEMATIC DIAGRAM (MAIN PCB)



NOTE: THIS SCHEMATIC DIAGRAM IS THE LATEST AT THE TIME OF PRINTING AND SUBJECT TO CHANGE WITHOUT NOTICE .

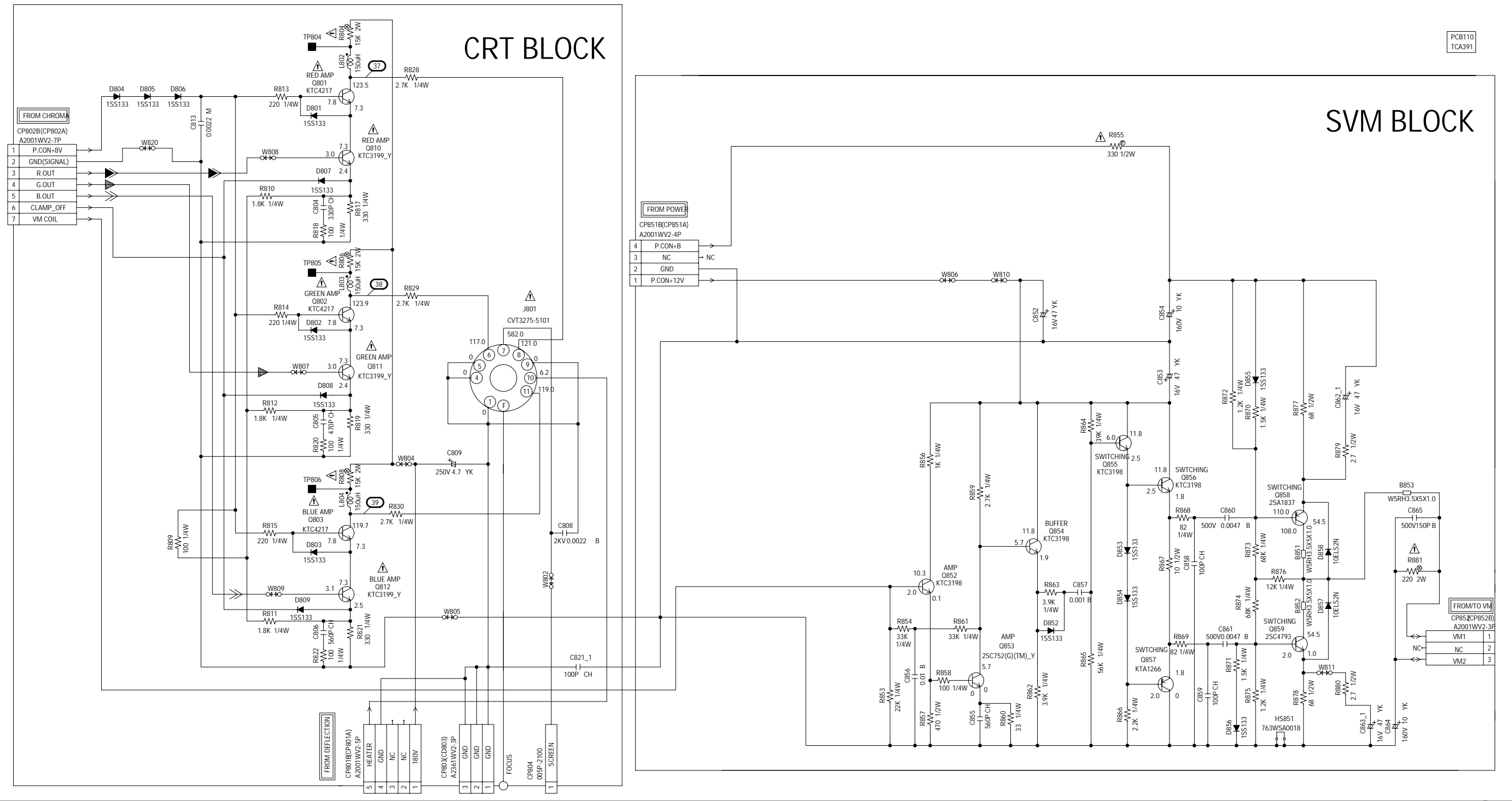
NOTE: THE DC VOLTAGE AT EACH PART WAS MEASURED WITH THE DIGITAL TESTER WHEN THE COLOR BROADCAST WAS RECEIVED IN GOOD CONDITION AND PICTURE IS NORMAL.

PCB010  
TMC559

# CRT/SVM SCHEMATIC DIAGRAM (CRT PCB)

## CRT BLOCK

## SVM BLOCK



NOTE: THE DC VOLTAGE AT EACH PART WAS MEASURED WITH THE DIGITAL TESTER WHEN THE COLOR BROADCAST WAS RECEIVED IN GOOD CONDITION AND PICTURE IS NORMAL.

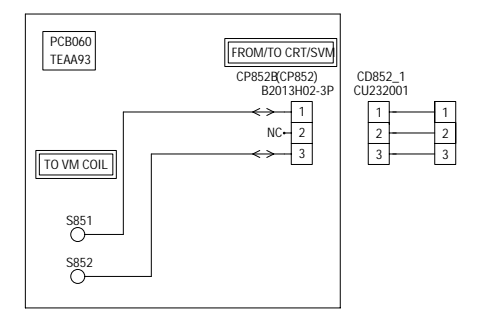
NOTE: THIS SCHEMATIC DIAGRAM IS THE LATEST AT THE TIME OF PRINTING AND SUBJECT TO CHANGE WITHOUT NOTICE.

**CAUTION** SINCE THESE PARTS MARKED BY ARE CRITICAL FOR SAFETY, USE ONES DESCRIBED IN PARTS LIST ONLY.

**ATTENTION** LES PIÈCES RÉPARÉES PAR UN ÉTANT DANGEREUSES AN POINT DE VUE SECURITE N'UTILISER QUE CELLS DÉCRITES DANS LA NOMENCLATURE DES PIÈCES.

### (VM COIL PCB)

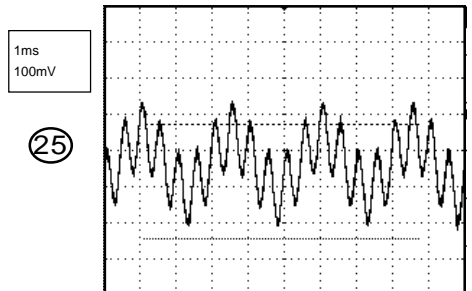
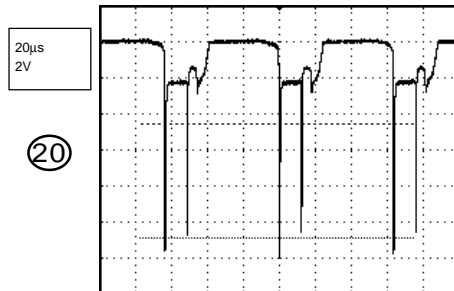
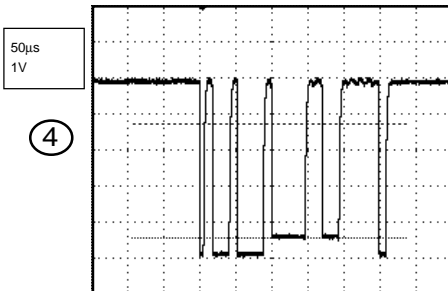
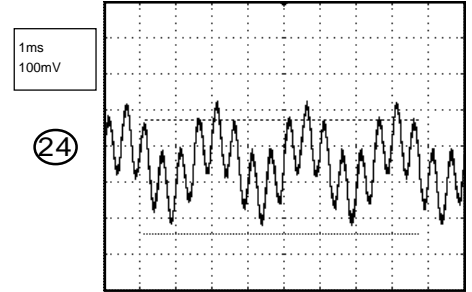
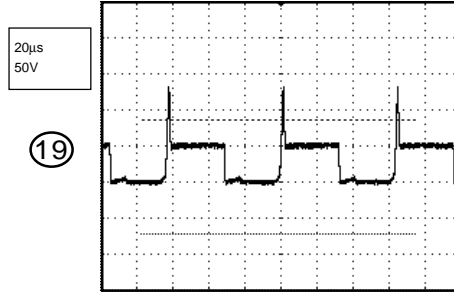
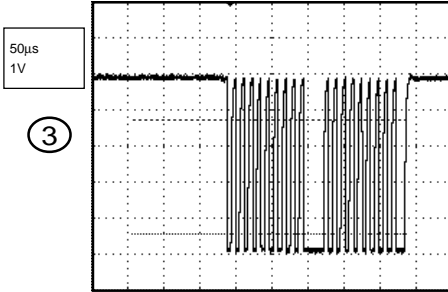
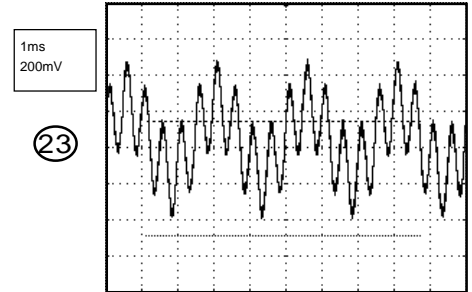
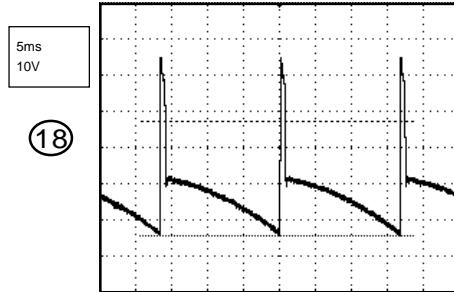
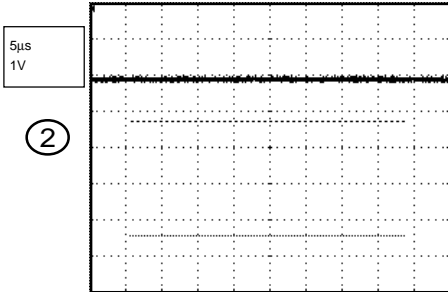
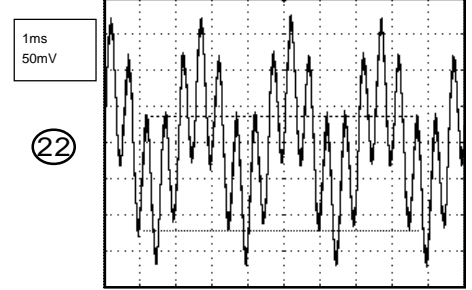
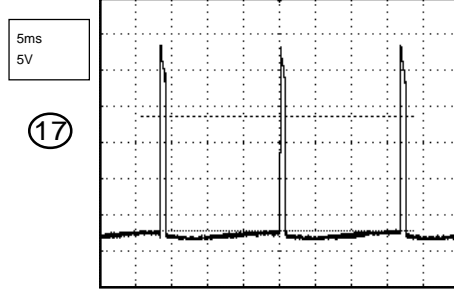
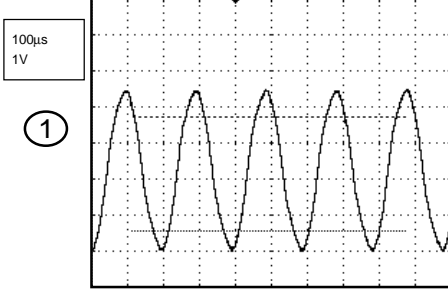
- R. SIGNAL
- G. SIGNAL
- B. SIGNAL



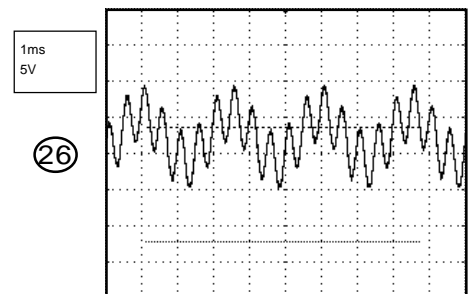
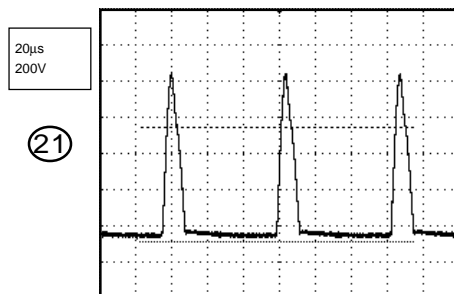
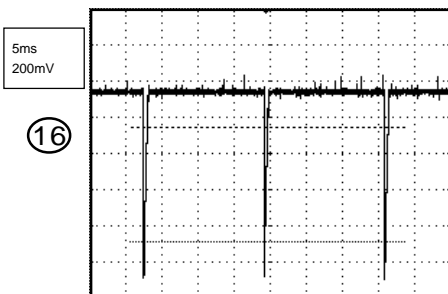
# WAVEFORMS

## MICON

## SOUND



## DEFRECTION

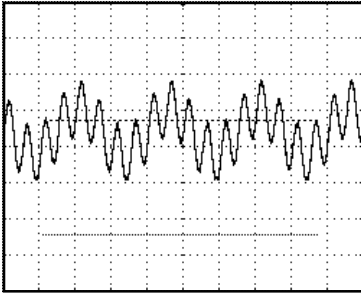


NOTE: The following waveforms were measured at the point of the corresponding balloon number in the schematic diagram.

# WAVEFORMS

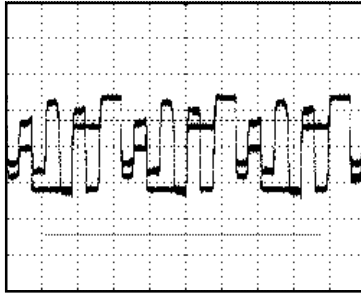
1ms  
5V

27



20μs  
50V

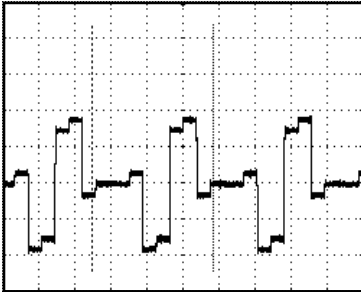
39



## AV

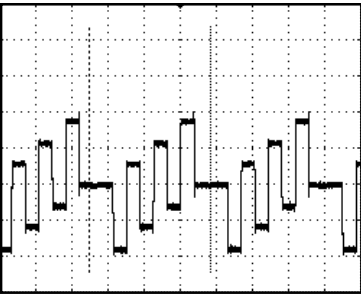
20μs  
200mV

28



20μs  
200mV

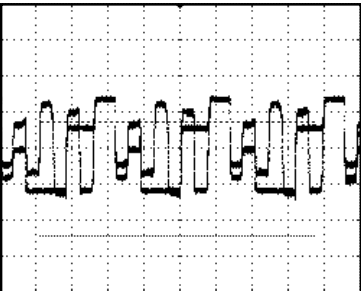
29



## CRT/SVM

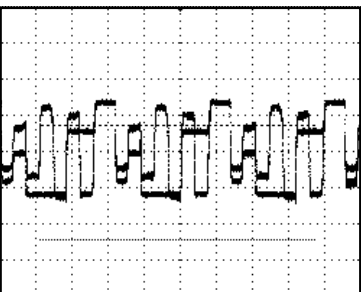
20μs  
50V

37



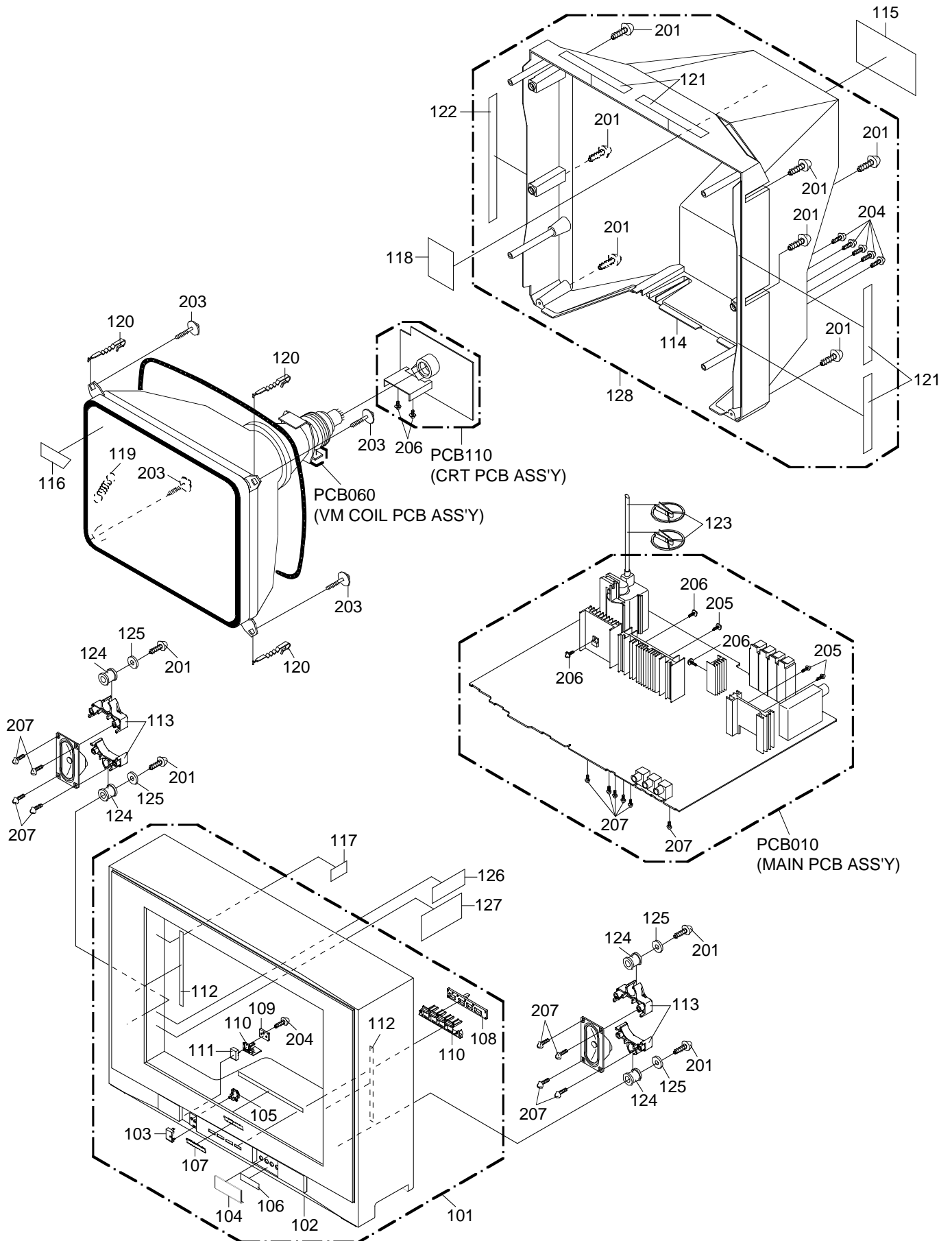
20μs  
50V

38



NOTE: The following waveforms were measured at the point of the corresponding balloon number in the schematic diagram.

# MECHANICAL EXPLODED VIEW



# MECHANICAL REPLACEMENT PARTS LIST

Location No.	TSB P/N	Reference No.	Description	
101	AE000424	A3M6010720	CABINET,FRONT ASSY	
102	AD302142	701WPJC027	CABINET,FRONT	
103	AD302143	711WPA0182	PLATE,FRONT	
104	AD302144	712WPBA042	DOOR	
105	AD302145	713WPA0261	GLASS,LED	
106	AD302146	723549A012	AV LABEL	
107	AD302008	7235490036	BADGE,BRAND	
108	AD302147	735WPA0725	STOPPER,BUTTON	
109	AD302010	735WPA0732	STOPPER,BUTTON2	
110	AD302011	735WPB0243	BUTTON,FRAME	
111	AD302148	735WPJA735	BUTTON,POWER	
112	AE000003	800WQ00045	FELT SHEET	
113	AD302015	761WPA0220	HOLDER,SPEAKER	
114	AD302149	702WPAA210	CABINET,BACK	
115	AD302150	722549A157	SHEET,RATING	
116	AD302151	723000C139	POP LABEL	
117	AD300132	7230006818	SHEET,CAUTION	
118	AD301133	726000A030	SHEET,CRT NO.	
119	BZ710258	741WUA0001	SPRING,EARTH	
120	BZ710259	762WPA0011	HOLDER,CRT WIRE	
121	AD300134	800WQ00039	FELT SHEET	
122	AD300520	800WQ00068	FELT SHEET	
123	BZ710260	899HV3T000	HOLDER,ANODE WIRE	
124	AD300518	801WR00001	DAMPER,SPEAKER	
125	AD300519	82A40B0104	FLAT WASHER	
126	AE000007	7220001107	SHEET,HWC	
127	AE000006	7220001119	SHEET,CSA WARNING	
128	AE000425	A3M6010740	CABINET,BACK ASSY	
201	BZ710035	8117540A64	SCREW,TAPPING(B0) TRUSS	4x16
202	BZ710019	8109630802	SCREW,TAP TITE(B) BRAZIER	3x8
203	AE000426	8141J50D04	SCREW,TAP TITE(P) GW22	5x40
204	BZ710031	8110630A04	SCREW,TAP TITE(P) BRAZIER	3x10
205	BZ710018	8107630804	SCREW,TAP TITE(S) BRAZIER	3x8
206	BZ710239	8109130A04	SCREW,TAP TITE(B) WH7	3x10
207	BZ710034	8117140A24	SCREW,TAPPING(B0) PAN	4x12
---	AE000427	723000C244	SHEET,BAR CODE	
---	AD300432	791WHA0092	LAMIFILM,BAG	
---	AD302153	792WHA0438	PACKAGE,TOP	
---	AD302154	792WHA0439	PACKAGE,BOTTOM	
---	AD302155	793WCDB611	GIFT BOX	
---	AE000011	7230007398	SECURITY TAG (FOR CANADA ONLY)	
---	AD302020	A3M701Z975	INSTRUCTION BOOK KIT	
---	AD300022	J3I70417	REGISTRATION CARD	
---	AD300023	J3I70436	ESP CARD	
---	AE000235	J3M70101B	INSTRUCTION BOOK	
---	AD301213	JA4UD300	POLYBAG,INSTRUCTION(RED CAUTION)	

# ELECTRICAL REPLACEMENT PARTS LIST

Location No.	TSB P/N	Reference No.	Description
<b>RESISTORS</b>			
△R410	AD302107	R3X18A470J	R,METAL OXIDE 47 OHM 2W
R419	AE000415	R3X1811R5J	R,METAL OXIDE 1.5 OHM 1W
△R426	BZ210030	R4X5T4472F	R,METAL 4.7K OHM 1/4W
△R434	BZ210259	R5Y2CF1R8J	R,CEMENT 1.8 OHM 10W
△R436	BZ210023	R4X5T4183F	R,METAL 18K OHM 1/4W
△R438	AD302133	R6358A3R3J	R,FUSE 3.3 OHM 2W
△R439	BZ210003	R3K181102J	R,METAL 1K OHM 1W
△R441	AD300037	R4X5T6153F	R,METAL 15K OHM 1/6W
△R452	AD301385	R3X18A391J	R,METAL OXIDE 390 OHM 2W
R459	AD301595	R65582010J	R,FUSE 1 OHM 1/2W
△R500	BZ210080	R0G3K2275K	RC RD 2.7M OHM 1/2W
△R501	AD301596	R5X2AE010J	R,CEMENT 1 OHM 7W
△R502	AD301016	R3X28A331J	R,METAL OXIDE 330 OHM 2W
△R506	BZ210162	R002T4682J	RC 6.8K OHM 1/4W
△R517	BZ210191	R3X28B010J	R,METAL 1 OHM 3W
△R520	BZ210206	R002T2155J	RC 1.5M OHM 1/2W
△R527	BZ210149	R3X18AR68J	R,METAL OXIDE 0.68 OHM 2W
△R541	BZ210190	R63581R22J	R,FUSE 0.22 OHM 1W
△R542	AD301017	R3X181R15J	R,METAL OXIDE 0.15 OHM 1W
△R602	AD301975	R3X28B120J	R,METAL OXIDE 12 OHM 3W
△R649	AD301975	R3X28B120J	R,METAL OXIDE 12 OHM 3W
△R804	BZ210026	R3X18A153J	R,METAL OXIDE 15K OHM 2W
△R806	BZ210026	R3X18A153J	R,METAL OXIDE 15K OHM 2W
△R808	BZ210026	R3X18A153J	R,METAL OXIDE 15K OHM 2W
△R855	AD301019	R65582331J	R,FUSE 330 OHM 1/2W
△R881	BZ210087	R3X18A221J	R,METAL OXIDE 220 OHM 2W
<b>CAPACITORS</b>			
△C402	AE000416	P232W1103J	CMP 0.01 UF 100V MMTS
C408	BZ110032	E5EZF3102M	CE 1000 UF 25V
C412	AD301303	P4N8FJ332H	CMPP 0.0033UF 1.25KV
C413	AD301977	E0ELF4102M	CE 1000 UF 35V
C418	BZ210173	P4J7F3474J	CMPP 0.47 UF 250V PMS
△C420	AD300723	P4N8FJ153H	CMPP 0.015 UF 1.25KV
C421	AD301600	P3N1F5223J	CPP 0.022 UF 630V
C425	BZ110182	C03L0R713K	CC 0.001 UF 2KV R
C426	AD300061	E5EZF220M	CE 22 UF 250V
△C430	BZ110195	E02LU8220M	CE 22 UF 100V
C442	AD301601	E53FF56R8M	CE 6.8 UF 50V NP
C501	BZ210176	E02LF3222M	CE 2200 UF 25V
C502	BZ110182	C03L0R713K	CC 0.001 UF 2KV R
C503	BZ110182	C03L0R713K	CC 0.001 UF 2KV R
△C505	BZ110025	P2122B224M	CMP 0.22 UF 275V ECQUL
△C506	BZ110035	P2122B104M	CMP 0.1 UF 275V ECQUL
C507	AE000417	E51DFC821M	CE 820 UF 200V
△C508	AD301108	CD39E0MH3M	CC 0.0022UF 250V
△C513	AD301026	CD39E0M13M	CC 0.001 UF 250V
C517	BZ110191	C03L0R7E3K	CC 0.0015UF 2KV R
△C519	AD301026	CD39E0M13M	CC 0.001 UF 250V
C521	AD301025	E62NFB221M	CE 220 UF 160V
C527	BZ110119	E02LF2222M	CE 2200 UF 16V
C535	BZ110182	C03L0R713K	CC 0.001 UF 2KV R
C808	BZ110226	C0JBB07H3K	CC 0.0022UF 2KV B
△C855	AE000418	CQGTCH4S2J	CC 560 PF 50V CH
C1003	BZ210176	E02LF3222M	CE 2200 UF 25V
C1004	BZ110053	E02LF3102M	CE 1000 UF 25V
C1009	BZ110053	E02LF3102M	CE 1000 UF 25V
<b>DIODES</b>			
D001	BZ410037	D97U03301B	DIODE,ZENER MTZJ33B T-77
D104	BZ410006	D1VT001330	DIODE,SILICON 1SS133T-77
D105	BZ410006	D1VT001330	DIODE,SILICON 1SS133T-77
D106	BZ410020	D97U05R11B	DIODE,ZENER MTZJ5.1B T-77
D107	BZ410006	D1VT001330	DIODE,SILICON 1SS133T-77
D108	BZ410006	D1VT001330	DIODE,SILICON 1SS133T-77
D109	BZ410054	0021721150	LED SLR-342VCT32
D110	BZ410006	D1VT001330	DIODE,SILICON 1SS133T-77
D113	BZ410021	D97U05R61B	DIODE,ZENER MTZJ5.6B T-77
D402	BZ410043	D2WTO11E10	DIODE,SILICON 11E1-EIC
D403	BZ410019	D97U03001B	DIODE,ZENER MTZJ30B T-77
D404	BZ410020	D97U05R11B	DIODE,ZENER MTZJ5.1B T-77
D405	BZ410063	D2WTAU02A0	DIODE,SILICON AU02A-EIC
△D406	BZ410021	D97U05R61B	DIODE,ZENER MTZJ5.6B T-77
D407	BZ410063	D2WTAU02A0	DIODE,SILICON AU02A-EIC
D408	AD302110	D2CF0715L0	DIODE,SILICON ERD07-15L50

# ELECTRICAL REPLACEMENT PARTS LIST

Location No.	TSB P/N	Reference No.	Description
<b>DIODES</b>			
D409	AD301980	D2CF2016L0	DIODE,SILICON
D410	BZ410019	D97U03001B	DIODE,ZENER
△D411	BZ410063	D2WTAU02A0	DIODE,SILICON
D414	BZ410043	D2WT011E10	DIODE,SILICON
D415	BZ410043	D2WT011E10	DIODE,SILICON
D416	BZ410006	D1VT001330	DIODE,SILICON
D417	BZ410006	D1VT001330	DIODE,SILICON
D419	BZ410006	D1VT001330	DIODE,SILICON
△D501	BZ410062	D2WTRM11C0	DIODE,SILICON
△D502	BZ410062	D2WTRM11C0	DIODE,SILICON
△D503	BZ410062	D2WTRM11C0	DIODE,SILICON
△D504	BZ410062	D2WTRM11C0	DIODE,SILICON
D505	AD300076	D28F30DF60	DIODE,RECTIFIER
D506	AD300731	D2WXN49370	DIODE,SILICON
D507	BZ410006	D1VT001330	DIODE,SILICON
D508	BZ410064	D97U03R91B	DIODE,ZENER
D509	AD300671	D97U01801B	DIODE,ZENER
D510	AD301980	D2CF2016L0	DIODE,SILICON
D511	AD300731	D2WXN49370	DIODE,SILICON
D512	BZ410010	D28T21DQN9	DIODE,SCHOTTKY
D513	BZ410006	D1VT001330	DIODE,SILICON
D514	BZ410006	D1VT001330	DIODE,SILICON
D516	BZ410006	D1VT001330	DIODE,SILICON
D517	BZ410006	D1VT001330	DIODE,SILICON
D520	BZ410006	D1VT001330	DIODE,SILICON
D523	AD300671	D97U01801B	DIODE,ZENER
D524	BZ410006	D1VT001330	DIODE,SILICON
D525	AD300671	D97U01801B	DIODE,ZENER
D528	BZ410021	D97U05R61B	DIODE,ZENER
D601	BZ410006	D1VT001330	DIODE,SILICON
D602	BZ410058	D97U08R21B	DIODE,ZENER
D603	AD300670	D97U01501B	DIODE,ZENER
D604	AD300070	D97U01201B	DIODE,ZENER
D605	BZ410006	D1VT001330	DIODE,SILICON
D606	BZ410006	D1VT001330	DIODE,SILICON
D607	BZ410006	D1VT001330	DIODE,SILICON
D608	BZ410043	D2WT011E10	DIODE,SILICON
D701	AD300070	D97U01201B	DIODE,ZENER
D702	AD300070	D97U01201B	DIODE,ZENER
D703	AD300070	D97U01201B	DIODE,ZENER
D704	AD300070	D97U01201B	DIODE,ZENER
D705	AD300070	D97U01201B	DIODE,ZENER
D706	AD300070	D97U01201B	DIODE,ZENER
D709	BZ410066	D97U06R21B	DIODE,ZENER
D801	BZ410006	D1VT001330	DIODE,SILICON
D802	BZ410006	D1VT001330	DIODE,SILICON
D803	BZ410006	D1VT001330	DIODE,SILICON
D804	BZ410006	D1VT001330	DIODE,SILICON
D805	BZ410006	D1VT001330	DIODE,SILICON
D806	BZ410006	D1VT001330	DIODE,SILICON
D807	BZ410006	D1VT001330	DIODE,SILICON
D808	BZ410006	D1VT001330	DIODE,SILICON
D809	BZ410006	D1VT001330	DIODE,SILICON
D852	BZ410006	D1VT001330	DIODE,SILICON
D853	BZ410006	D1VT001330	DIODE,SILICON
D854	BZ410006	D1VT001330	DIODE,SILICON
D855	BZ410006	D1VT001330	DIODE,SILICON
D856	BZ410006	D1VT001330	DIODE,SILICON
D857	BZ410011	D28TELS2N2	DIODE,RECTIFIER
D858	BZ410011	D28TELS2N2	DIODE,RECTIFIER
<b>ICS</b>			
IC101	AD301981	I56F07090A	IC
IC199	AD302135	A3M6012015	IC
IC301	AD300055	I0QF021500	IC
IC302	AD301983	I01FF58910	IC
IC401	AD300414	I03TD80410	IC
△IC504	BZ410088	0002E00610	PHOTO COUPLER
IC601	AD301984	I06FC12830	IC
IC701	AD301988	I0UF015010	IC
IC702	AD301988	I0UF015010	IC
IC902	AD300059	I01FF58290	IC
IC1001	AD300056	I0FSP52760	IC
IC1501	AD301029	I03FE76600	IC
			OEC7090A
			S-24C16AFJA-TB-01
			NJM2150AM
			AN5891SA-E1V
			LA78041
			LTV-817M-VB
			M61283FP
			MM1501XNRE
			MM1501XNRE
			AN5829S
			AN5276
			LA76600M-TLM

# ELECTRICAL REPLACEMENT PARTS LIST

Location No.	TSB P/N	Reference No.	Description
IC1502	AD301988	I0UF015010	MM1501XNRE
IC1503	AD301988	I0UF015010	MM1501XNRE
<b>TRANSISTORS</b>			
Q101	BZ510109	TCAA3875SY	KTC3875S_Y_RTK
Q103	BZ510109	TCAA3875SY	KTC3875S_Y_RTK
Q402	BZ510097	TCAT03227Y	KTC3227_Y-AT
Q405	AD302136	TD50026380	2SD2638
Q408	BZ510073	TAATA12660	KTA1266-AT(Y,GR)
Q409	BZ510073	TAATA12660	KTA1266-AT(Y,GR)
Q410	AD300027	TC30041590	2SC4159(D,E)
Q411	BZ510109	TCAA3875SY	KTC3875S_Y_RTK
Q502	BZ510098	T220033260	2SK3326(2)
Q503	BZ510005	TA3T1371A0	2SA1371(D,E)-AE
Q504	BZ510069	TCATC31980	KTC3198-AT(Y,GR)
Q505	BZ510011	TC3T029090	2SC2909(S,T)-AA
Q507	BZ510069	TCATC31980	KTC3198-AT(Y,GR)
Q508	BZ510077	TAAT012714	KTA1271_Y-AT
Q509	BZ510069	TCATC31980	KTC3198-AT(Y,GR)
Q512	BZ510004	TA3T016240	2SA1624-AA
Q514	BZ510070	TCAT032034	KTC3203_Y-AT
Q601	BZ510105	TCAT03209Y	KTC3209_Y-AT
Q602	BZ510105	TCAT03209Y	KTC3209_Y-AT
Q603	BZ510109	TCAA3875SY	KTC3875S_Y_RTK
Q604	BZ510105	TCAT03209Y	KTC3209_Y-AT
Q605	BZ510109	TCAA3875SY	KTC3875S_Y_RTK
Q606	BZ510105	TCAT03209Y	KTC3209_Y-AT
Q607	BZ510070	TCAT032034	KTC3203_Y-AT
Q610	BZ510109	TCAA3875SY	KTC3875S_Y_RTK
Q611	BZ510105	TCAT03209Y	KTC3209_Y-AT
Q613	BZ510109	TCAA3875SY	KTC3875S_Y_RTK
Q614	BZ510108	TAAA1504SY	KTA1504S_Y_RTK
Q709	BZ510108	TAAA1504SY	KTA1504S_Y_RTK
Q711	BZ510109	TCAA3875SY	KTC3875S_Y_RTK
Q712	BZ510109	TCAA3875SY	KTC3875S_Y_RTK
△Q801	BZ510091	TCA0042170	KTC4217(O,Y)
△Q802	BZ510091	TCA0042170	KTC4217(O,Y)
△Q803	BZ510091	TCA0042170	KTC4217(O,Y)
△Q810	AD301032	TCATC3199Y	KTC3199_Y-AT
△Q811	AD301032	TCATC3199Y	KTC3199_Y-AT
△Q812	AD301032	TCATC3199Y	KTC3199_Y-AT
Q852	BZ510069	TCATC31980	KTC3198-AT(Y,GR)
Q853	AD300024	TCUT00752Y	2SC752(G)(TM)_Y
Q854	BZ510069	TCATC31980	KTC3198-AT(Y,GR)
Q855	BZ510069	TCATC31980	KTC3198-AT(Y,GR)
Q856	BZ510069	TCATC31980	KTC3198-AT(Y,GR)
Q857	BZ510073	TAATA12660	KTA1266-AT(Y,GR)
Q858	AD300029	TAU0018370	2SA1837
Q859	AD300025	TCU0047930	2SC4793
Q901	BZ510108	TAAA1504SY	KTA1504S_Y_RTK
Q902	BZ510108	TAAA1504SY	KTA1504S_Y_RTK
Q1001	BZ510068	TNAAJ05003	KRC111SRTK
Q1503	BZ510109	TCAA3875SY	KTC3875S_Y_RTK
Q1504	BZ510109	TCAA3875SY	KTC3875S_Y_RTK
Q1507	BZ510109	TCAA3875SY	KTC3875S_Y_RTK
Q1508	BZ510109	TCAA3875SY	KTC3875S_Y_RTK
<b>COILS &amp; TRANSFORMERS</b>			
L301	BZ310041	02167F101J	100 UH
L402	AD300400	022100034A	ELH5L4132N
L403	AD301606	02DK000058	02DK000058
△L501	AD301124	029T000101	2R2A752F28Y
△L503	AD300401	028R250009	8R250009
L601	AD301989	0216A6330J	33 UH
L802	AD300123	021673151K	150 UH
L803	AD300123	021673151K	150 UH
L804	AD300123	021673151K	150 UH
L901	BZ310041	02167F101J	100 UH
L1501	BZ310041	02167F101J	100 UH
L1502	AD301417	02167F221J	220 UH
L1503	AD301417	02167F221J	220 UH
L1505	AD300613	02167F150J	15 UH
L1508	BZ310041	02167F101J	100 UH
L1510	AD300613	02167F150J	15 UH
L1511	AD300613	02167F150J	15 UH

# ELECTRICAL REPLACEMENT PARTS LIST

Location No.	TSB P/N	Reference No.	Description
<b>COILS &amp; TRANSFORMERS</b>			
L1512	AD301608	0216A6220J	COIL 22 UH
T401	AD301125	0450190161	TRANS,HORIZONTAL DRIVE ETH19Y203AY
△T501	AD301034	048140066S	TRANSFORMER,SWITCHING 8140066S
<b>JACKS</b>			
J701	AD301038	060J431019	RCA JACK MSP-213V2-432 PBSN
J702	AD300108	063Q700002	JACK YKF51-5503
J703	AD301038	060J431019	RCA JACK MSP-213V2-432 PBSN
J704	AD301037	060J411024	RCA JACK MSP-213V1-652 PBSN
J705	AD300110	060G401047	RCA JACK HTJ-032-03AY
J706	AD300111	060G401046	RCA JACK HTJ-032-03AW
J707	AD300112	060G401039	RCA JACK HTJ-032-03AR
J708	AD301038	060J431019	RCA JACK MSP-213V2-432 PBSN
△J801	BZ614115	066C130017	SOCKET,CATHODE RAY TUBE CVT3275-5101
J1001	BZ614361	060J131015	HEADPHONE JACK MSJ-2000
<b>SWITCHES</b>			
SW101	BZ612010	0504101T34	SWITCH,TACT EVQ21505R
SW102	BZ612010	0504101T34	SWITCH,TACT EVQ21505R
SW103	BZ612010	0504101T34	SWITCH,TACT EVQ21505R
SW104	BZ612010	0504101T34	SWITCH,TACT EVQ21505R
SW105	BZ612010	0504101T34	SWITCH,TACT EVQ21505R
<b>VARIABLE RESISTORS</b>			
VR401	BZ210218	V1K63H3BTE	VOLUME,SEMI FIXED NVG6TLTAB222
VR502	BZ210101	V1163H4BTC	VOLUME,SEMI FIXED EVNCYAA03BE4
<b>P.C.BOARD ASSEMBLIES</b>			
PCB010	AE000420	A3M6010010	PCB ASS'Y TMC559B
PCB060	AE000421	A3M6010060	PCB ASS'Y TEAA93B
PCB110	AE000422	A3M6010110	PCB ASS'Y TCA391B
<b>MISCELLANEOUS</b>			
B401	BZ310129	024HT03564	CORE,BEADS W4BRH3.5X6X1.0
B402	BZ310129	024HT03564	CORE,BEADS W4BRH3.5X6X1.0
B405	BZ310129	024HT03564	CORE,BEADS W4BRH3.5X6X1.0
B501	BZ310045	024AT03481	CORE,BEADS BL02RN1-R62T2
B504	BZ310121	024HT03553	CORE,BEADS W5RH3.5X5X1.0
B851	BZ310121	024HT03553	CORE,BEADS W5RH3.5X5X1.0
B852	BZ310121	024HT03553	CORE,BEADS W5RH3.5X5X1.0
B853	BZ310121	024HT03553	CORE,BEADS W5RH3.5X5X1.0
BT001	AE000012	1412004008	BATTERY,MANGAN R03(AB)E_2P_G
BT002	AE000012	1412004008	BATTERY,MANGAN R03(AB)E_2P_G
△CD501	AD300746	120R615901	CORD,AC BUSH 0R615901
CD801	AD301042	06CU253401	CORD,CONNECTOR CU253401
CD802	AE000423	06CU274501	CORD,CONNECTOR CU274501
CD803	AD300094	06CP83035A	CORD,CONNECTOR CP83035A
CD851	AD302371	06CU244701	CORD,CONNECTOR CU244701
CD852	AD301043	06CU232001	CORD,CONNECTOR CU232001
CP101	BZ614102	0694270139	CONNECTOR PCB SIDE 173979-7
CP401	AD300095	069X460029	CONNECTOR PCB SIDE B06B-DVS
CP501	BZ614176	069S320419	CONNECTOR PCB SIDE A3963WV2-3PD
CP502	AD300687	069S420110	CONNECTOR PCB SIDE A1561WV2-2P
CP507	BZ614444	069D01001A	CONNECTOR PCB SIDE 003P-2100
CP508	BZ614444	069D01001A	CONNECTOR PCB SIDE 003P-2100
CP803	AD301996	069S330010	CONNECTOR PCB SIDE A2361WV2-3P
CP804	BZ614058	069W010010	CONNECTOR PCB SIDE 005P-2100
CP852	BZ614350	069S230629	CONNECTOR PCB SIDE A2001WV2-3P
CD1001	AD300093	06CU14411A	CORD,CONNECTOR CU14411A
CP1001	AD301045	069S140419	CONNECTOR PCB SIDE A2502WV2-4P
CP801A	BZ614276	067U005049	WIRE HOLDER B2013H02-5P
CP801B	AD300752	069S250629	CONNECTOR PCB SIDE A2001WV2-5P
CP802A	AD301997	067U007029	WIRE HOLDER B2013H02-7P
CP802B	BZ614485	069S270629	CONNECTOR PCB SIDE A2001WV2-7P
CP851A	BZ614334	067U004029	WIRE HOLDER B2013H02-4P
CP851B	AD301998	069S240629	CONNECTOR PCB SIDE A2001WV2-4P
CP852B	BZ614349	067U003029	WIRE HOLDER B2013H02-3P
EL001	BZ614044	124120301A	EYE LET XRY20X30BD
EL002	BZ614043	124116281A	EYE LET XRY16X28BD
△F501	AD301046	081PC6R305	FUSE 51MS063L
△FB401	AD302140	043224005F	TRANSFORMER,FLYBACK FSU24A001
FH501	BZ614005	06710T0006	HOLDER,FUSE EYF-52BC
FH502	BZ614005	06710T0006	HOLDER,FUSE EYF-52BC
OS101	AD301048	0773071001	REMOTE RECEIVER RPM7138-H5
△RY501	AD300114	0560V20115	RELAY ALKS321
SP1001	AD301050	070C457003	SPEAKER SG05K07BRA
SP1002	AD301050	070C457003	SPEAKER SG05K07BRA
△TH501	BZ410079	DF5EL3R0A0	DEGAUSS ELEMENT ZPB45BL3R0A

# ELECTRICAL REPLACEMENT PARTS LIST

Location No.	TSB P/N	Reference No.		Description
		<b>MISCELLANEOUS</b>		
TM101	AD302001	076R0GF010	TRANSMITTER	R25-1911
△TU001	AE000273	0163300005	RF UNIT	115-V-K015AR B
△V801	AD301131	098W250401	CRT W/DY	A60LVY196X11(O)
X101	AD302002	100CT8R005	CRYSTAL	HC-49/U-S
X602	AD302003	100CT3R505	CRYSTAL	HC-49/C

RESISTOR

RC..... CARBON RESISTOR

CAPACITORS

CC..... CERAMIC CAPACITOR  
 CE..... ALUMI ELECTROLYTIC CAPACITOR  
 CP..... POLYESTER CAPACITOR  
 CPP..... POLYPROPYLENE CAPACITOR  
 CPL..... PLASTIC CAPACITOR  
 CMP..... METAL POLYESTER CAPACITOR  
 CMPL..... METAL PLASTIC CAPACITOR  
 CMPP..... METAL POLYPROPYLENE CAPACITOR

# **TOSHIBA CORPORATION**

1-1, SHIBAURA 1-CHOME, MINATO-KU, TOKYO 105-8001, JAPAN